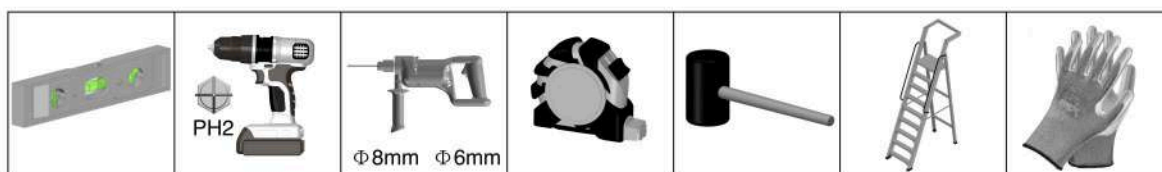


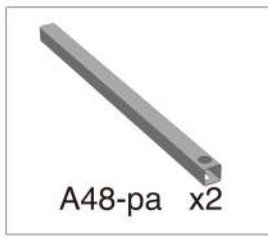
CHESTER 8x8 Domek z tworzywa/Plastic shed

Instrukcja montażu/Assembly instructions





B47-pa x2



A48-pa x2



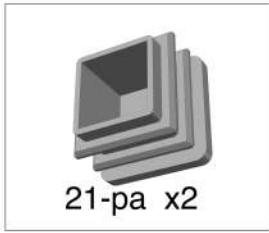
16-pa x10



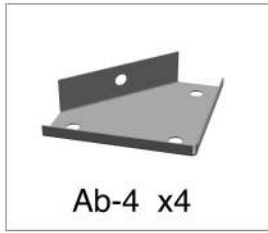
16-hu x12



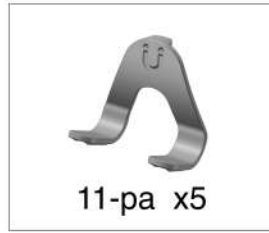
17-hu x6



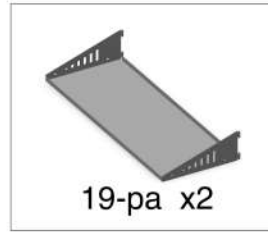
21-pa x2



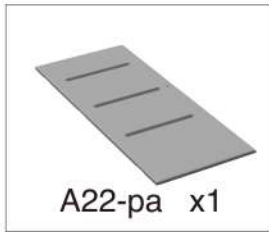
Ab-4 x4



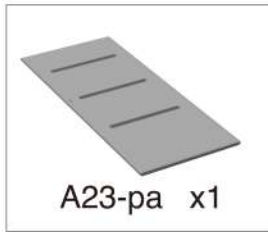
11-pa x5



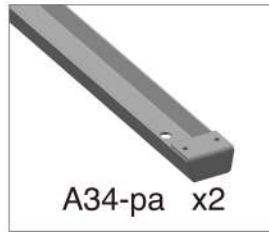
19-pa x2



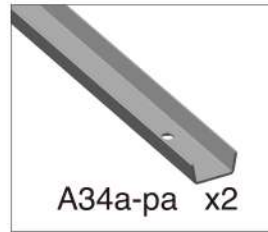
A22-pa x1



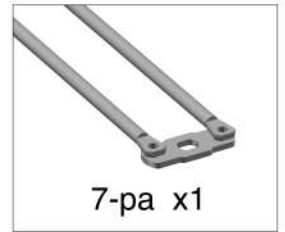
A23-pa x1



A34-pa x2



A34a-pa x2



7-pa x1



8-pa x1



13-pa x2



14-pa x2



15-pa x6



1-pa x1

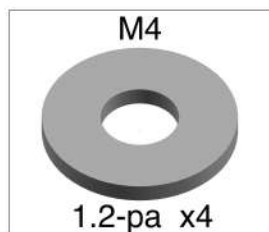


2-pa x1



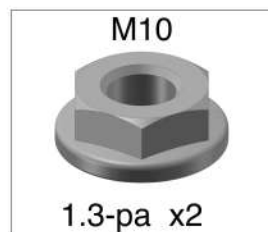
M4x16mm

1.1-pa x4



M4

1.2-pa x4



M10

1.3-pa x2



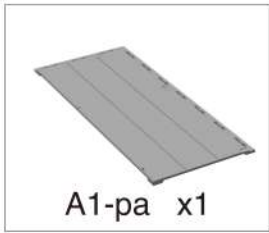
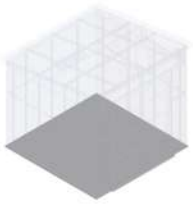
M10

1.4-pa x2

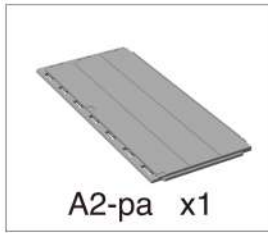


M10

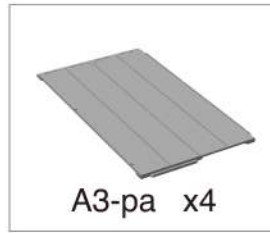
1.5-pa x2



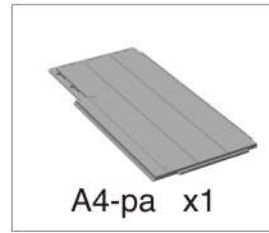
A1-pa x1



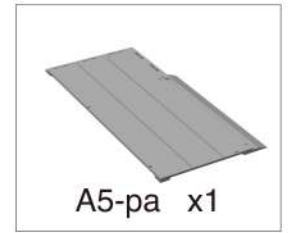
A2-pa x1



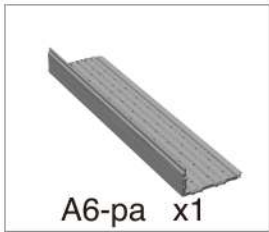
A3-pa x4



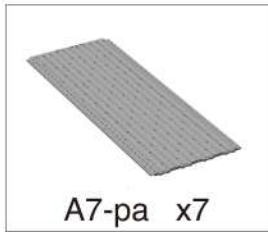
A4-pa x1



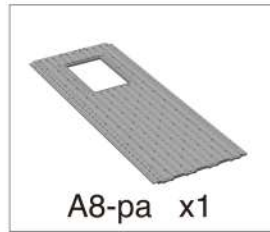
A5-pa x1



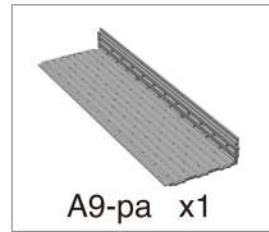
A6-pa x1



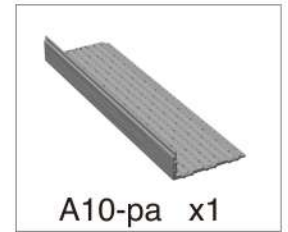
A7-pa x7



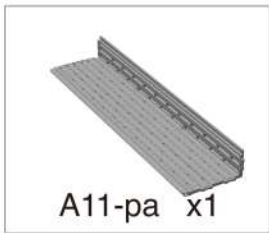
A8-pa x1



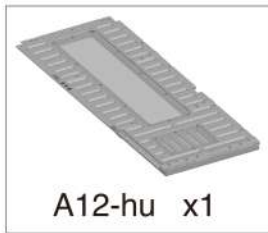
A9-pa x1



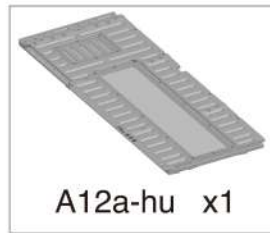
A10-pa x1



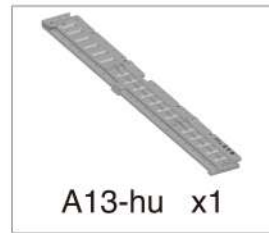
A11-pa x1



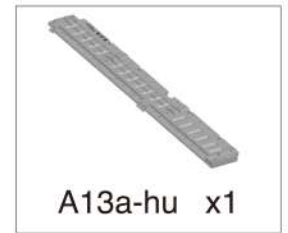
A12-hu x1



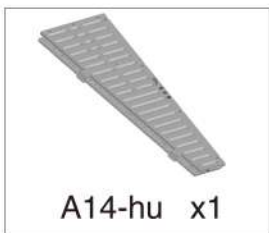
A12a-hu x1



A13-hu x1



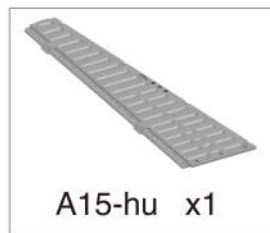
A13a-hu x1



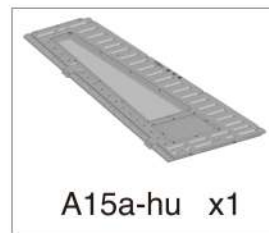
A14-hu x1



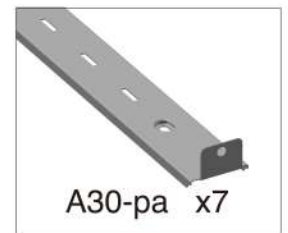
A14a-hu x1



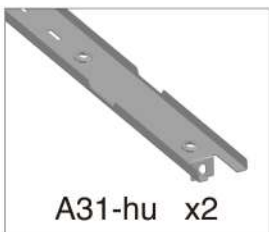
A15-hu x1



A15a-hu x1



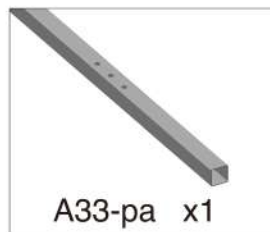
A30-pa x7



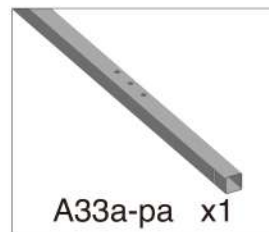
A31-hu x2



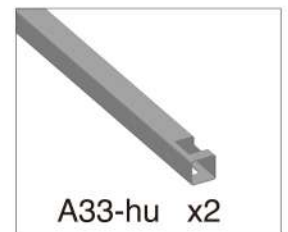
A32-hu x2



A33-pa x1



A33a-pa x1



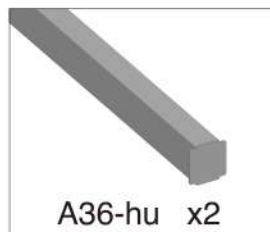
A33-hu x2



A34-hu x3



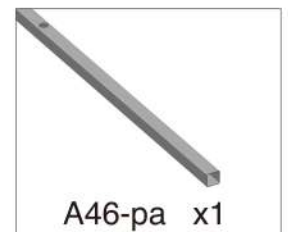
A35-hu x1



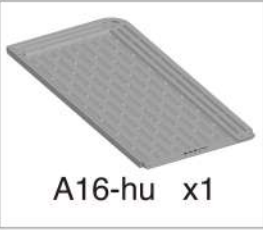
A36-hu x2



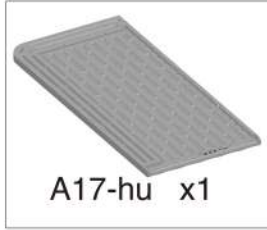
A40-hu x3



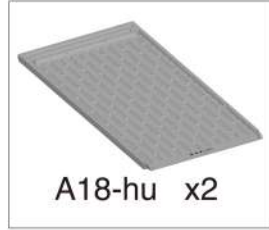
A46-pa x1



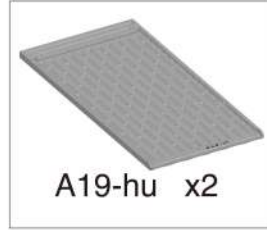
A16-hu x1



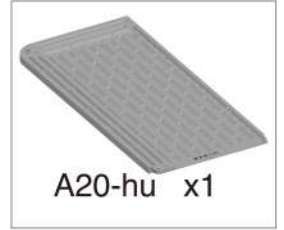
A17-hu x1



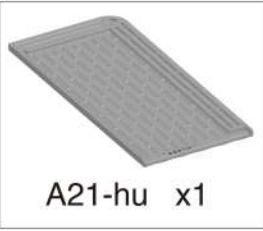
A18-hu x2



A19-hu x2



A20-hu x1



A21-hu x1



21-hu x3m



A50-hu x18



A51-hu x32



A52-hu x4



A53-hu x49



A54-hu x47



A55-hu x11



A56-hu x13



A57-hu x20



A58-hu x109



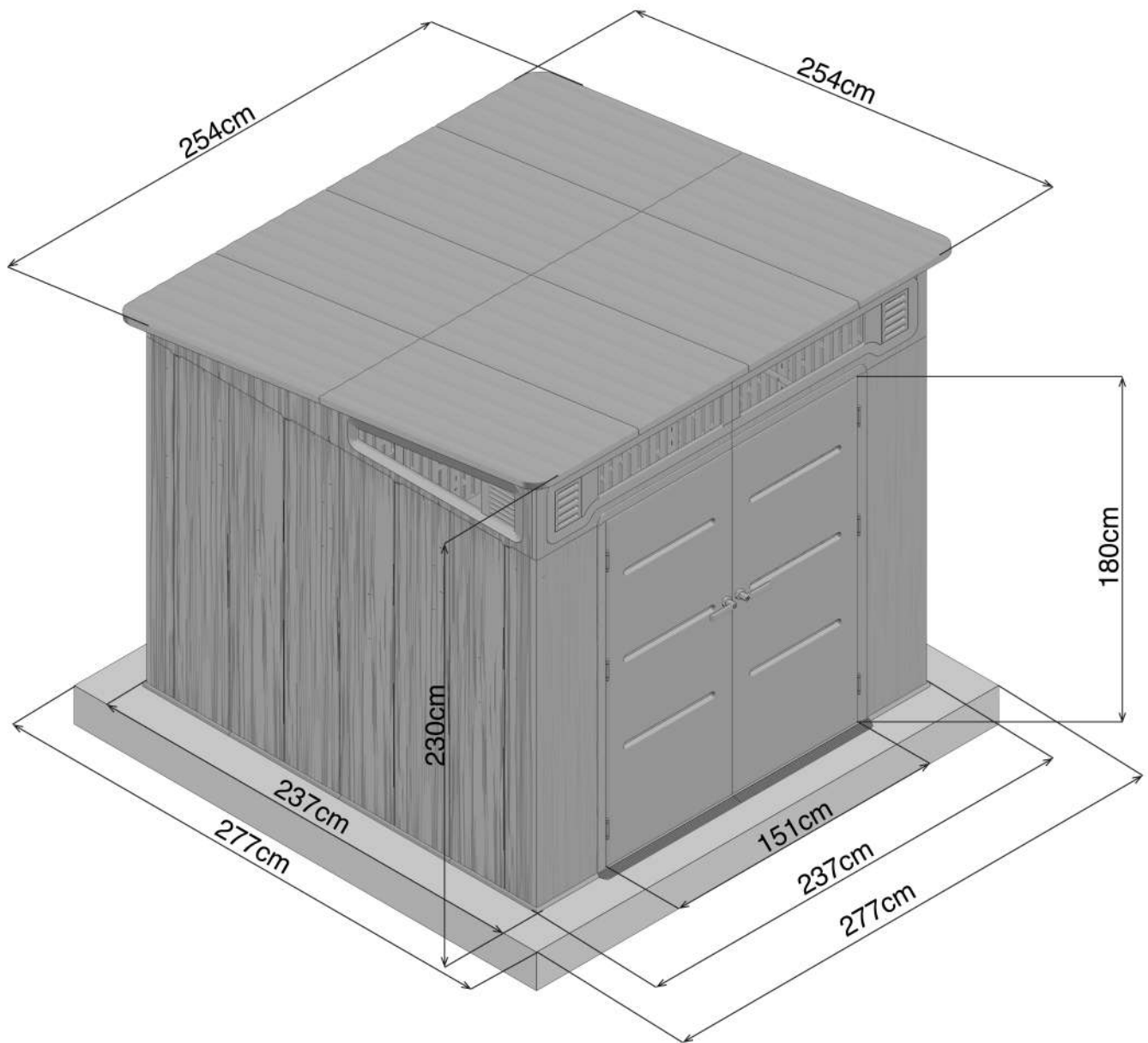
A59-hu x32





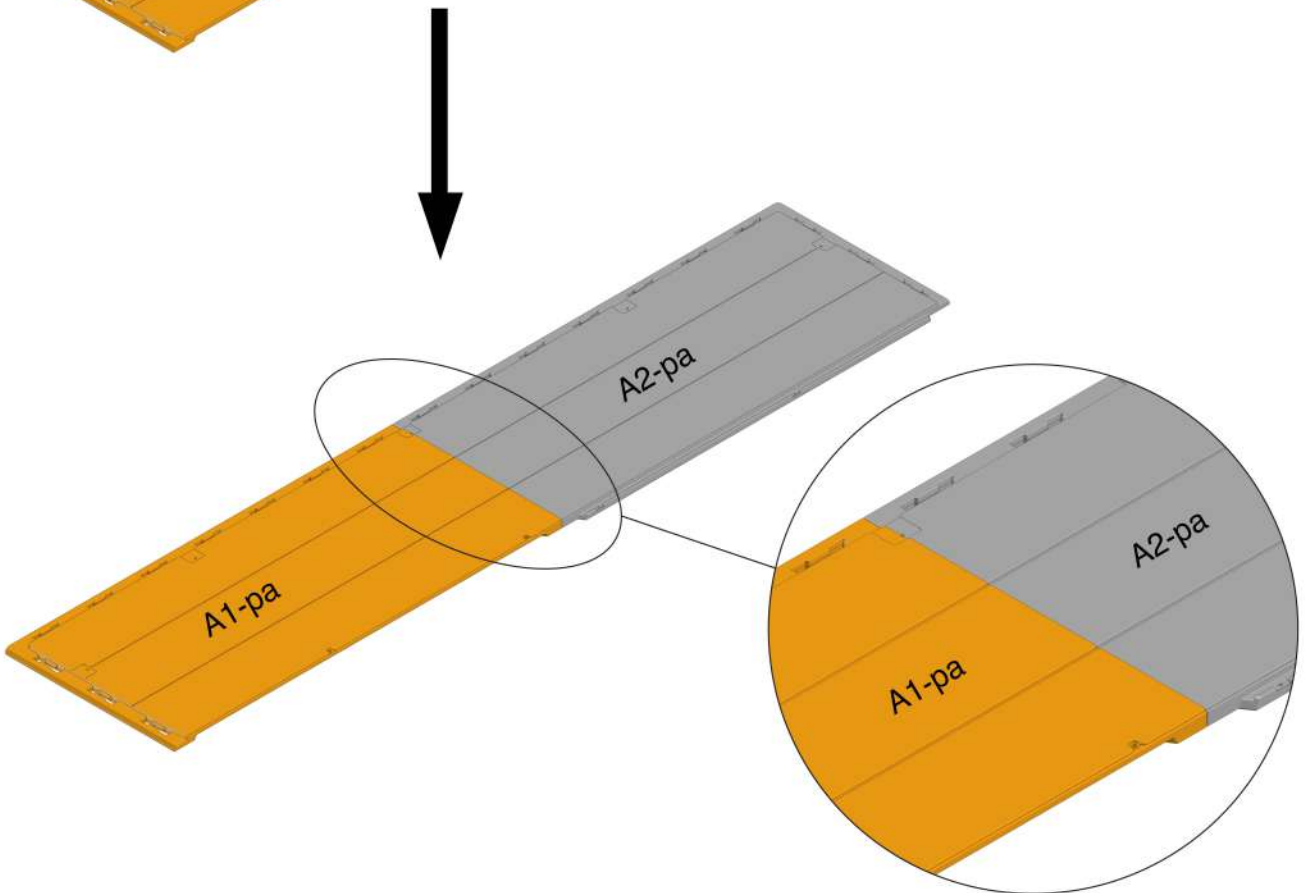
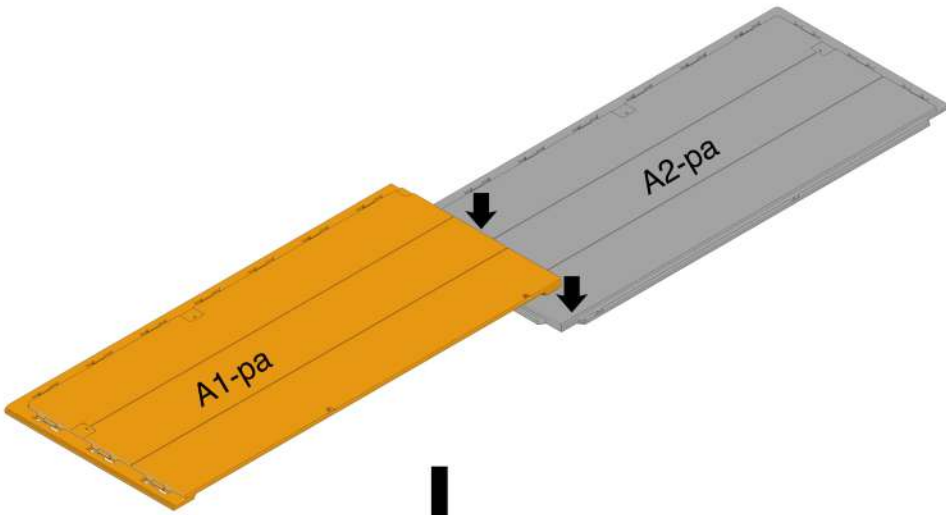
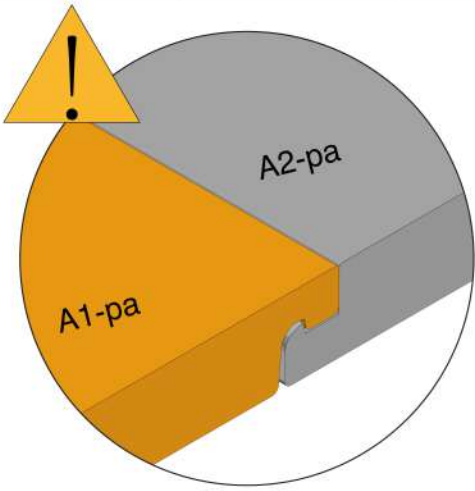
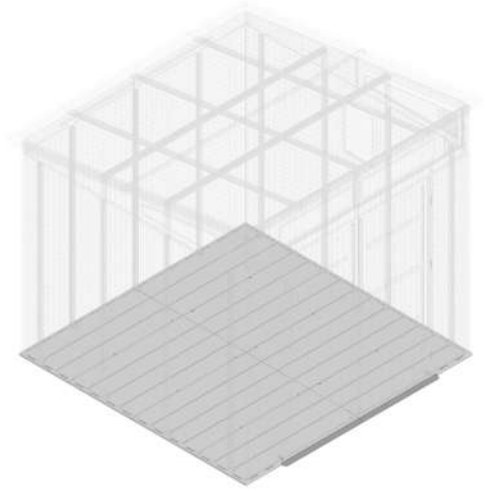
A60-hu x13




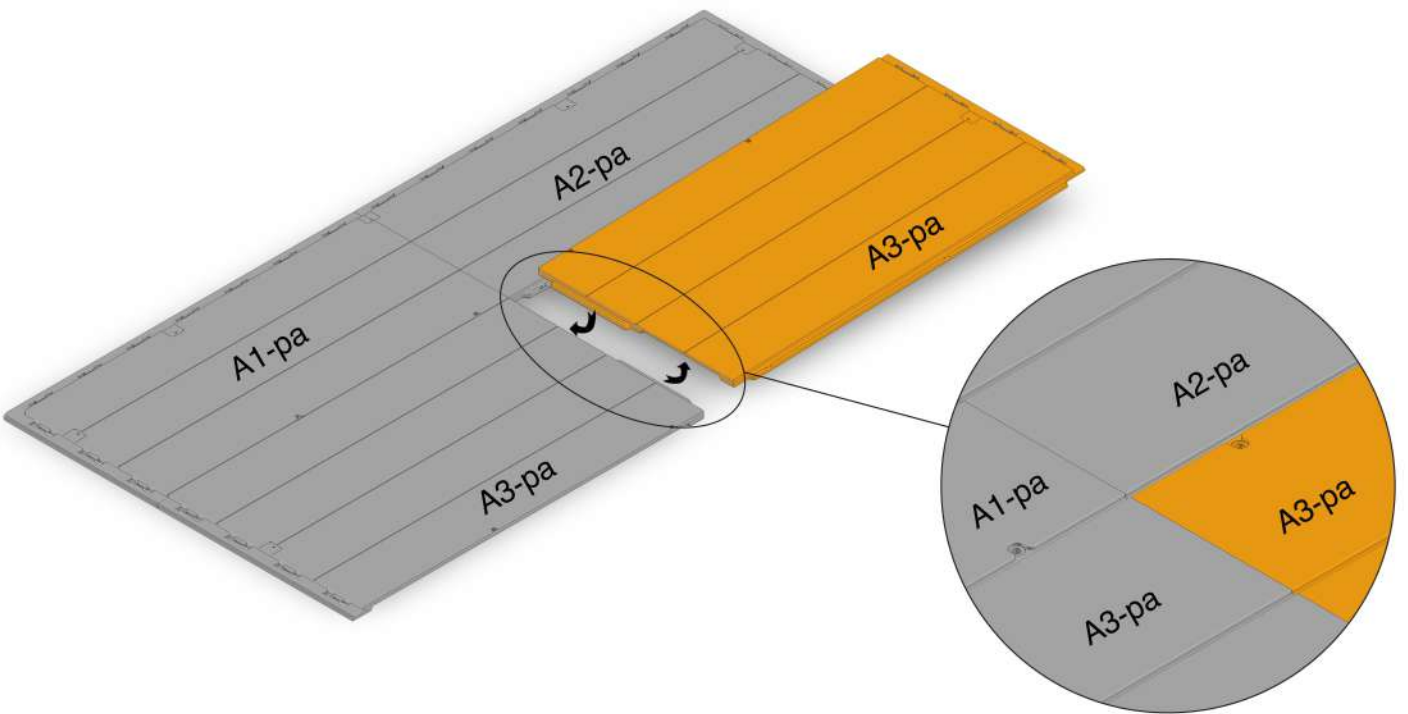
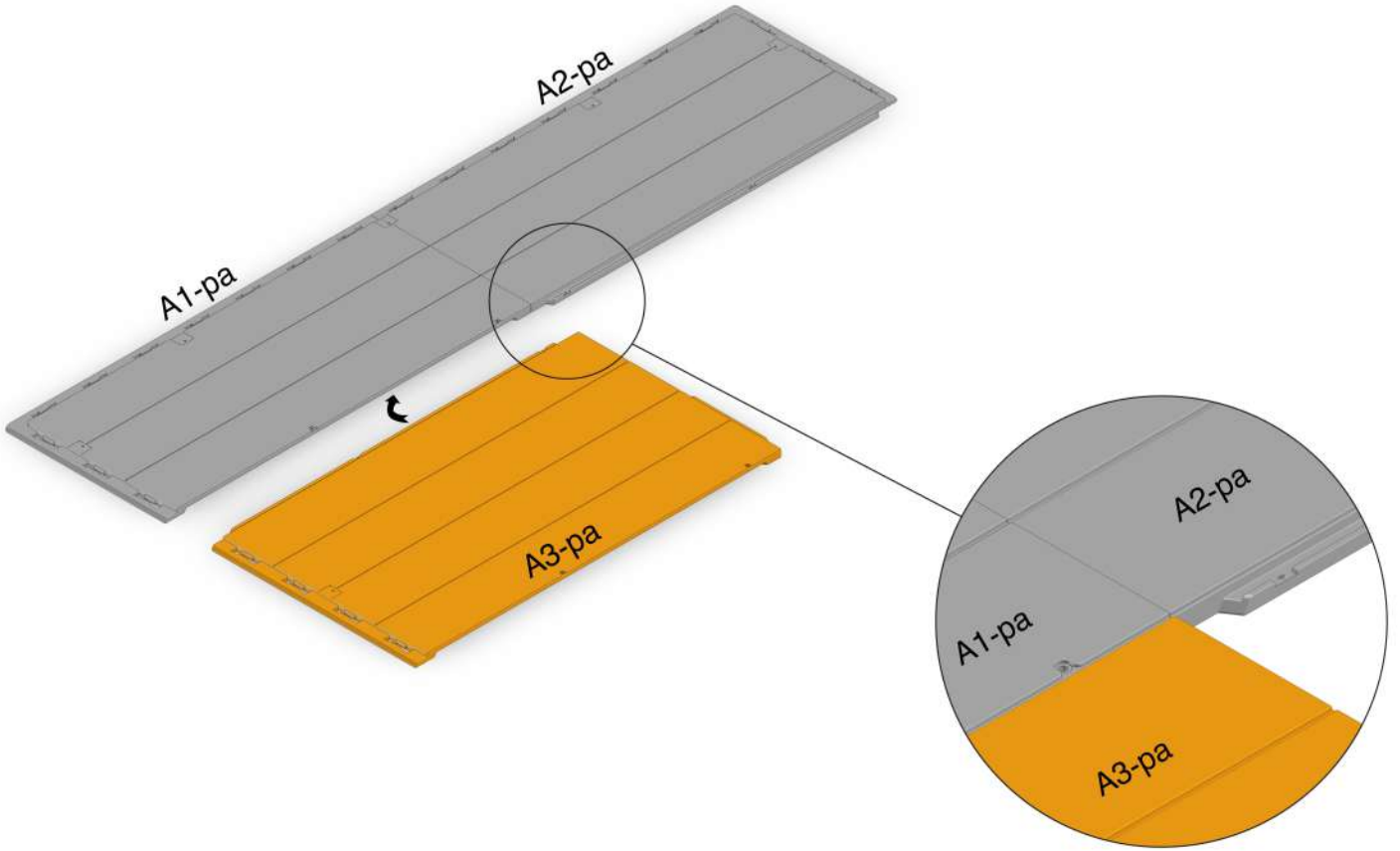
A61-hu x12



1	 A1-pa x1	 A2-pa x1
----------	---	---



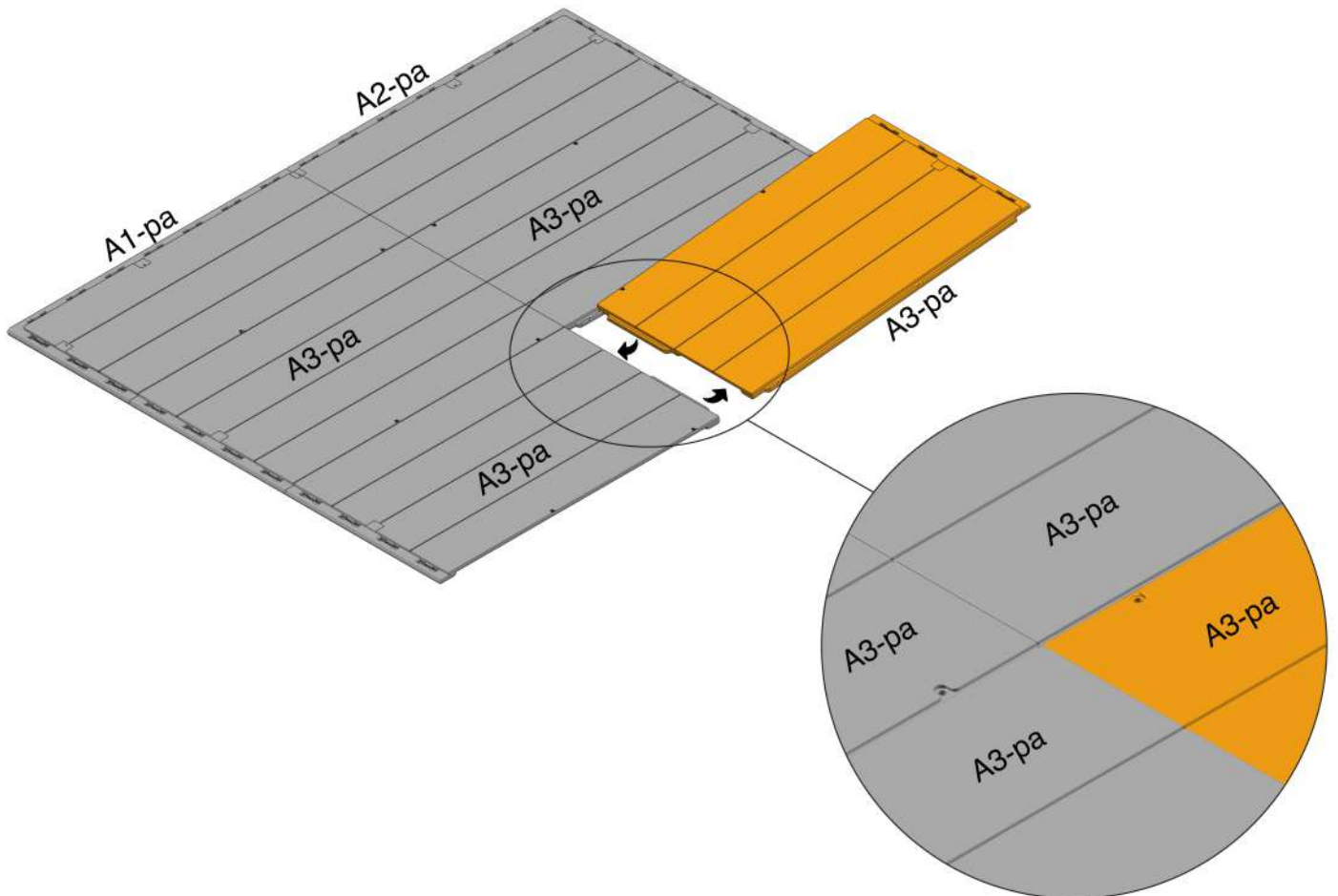
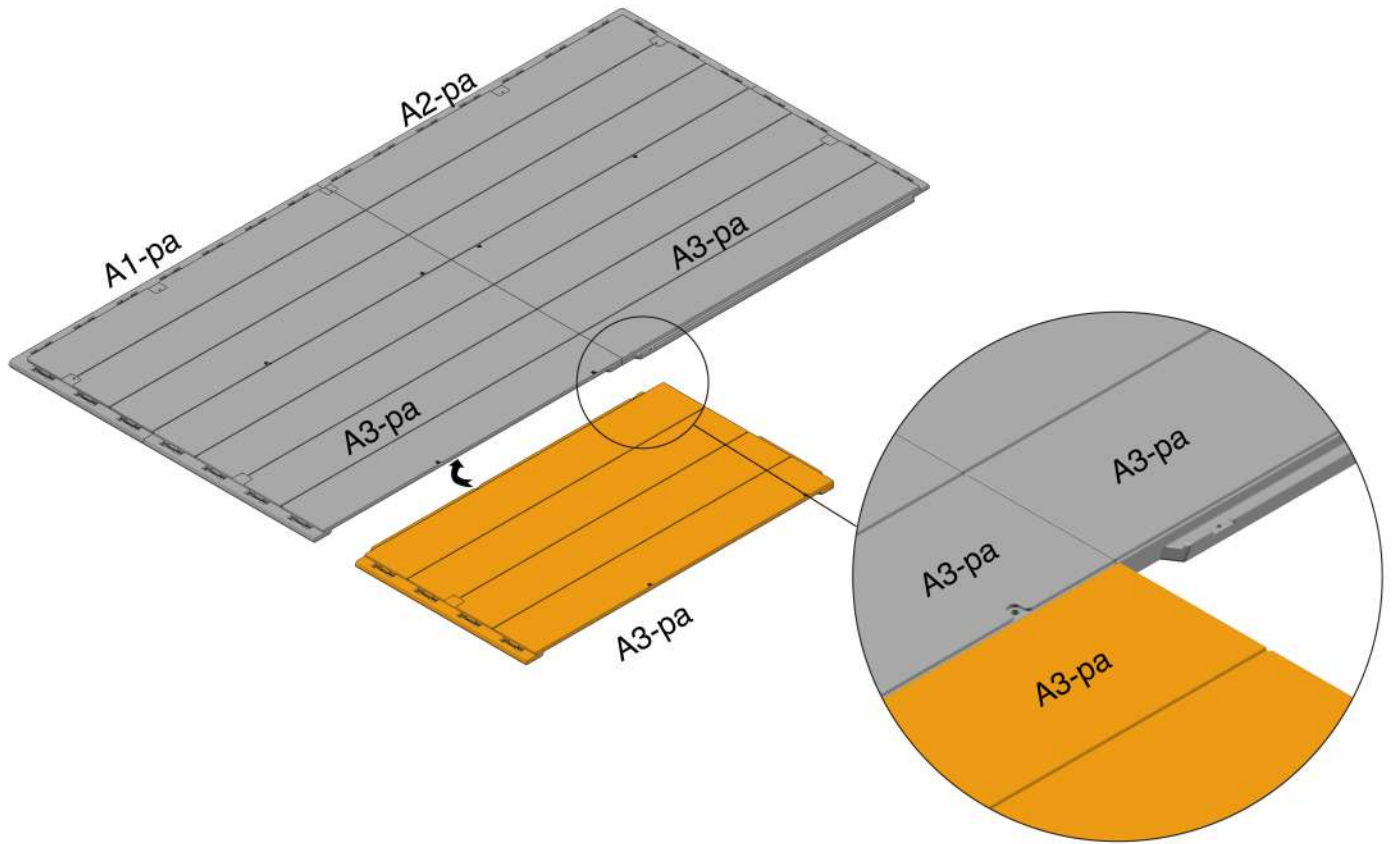
2	 A3-pa x2
---	---



3



A3-pa x2



4



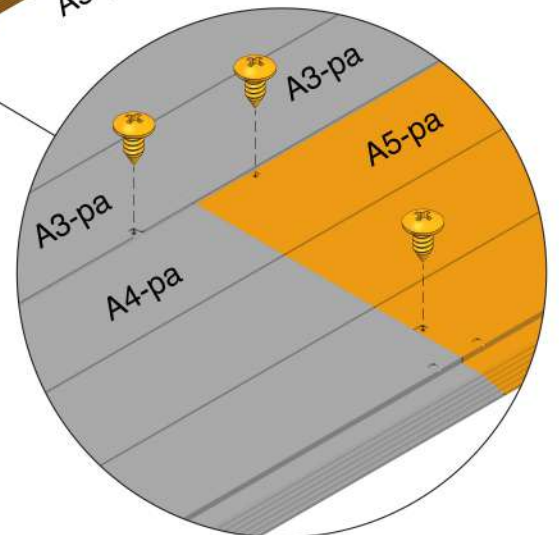
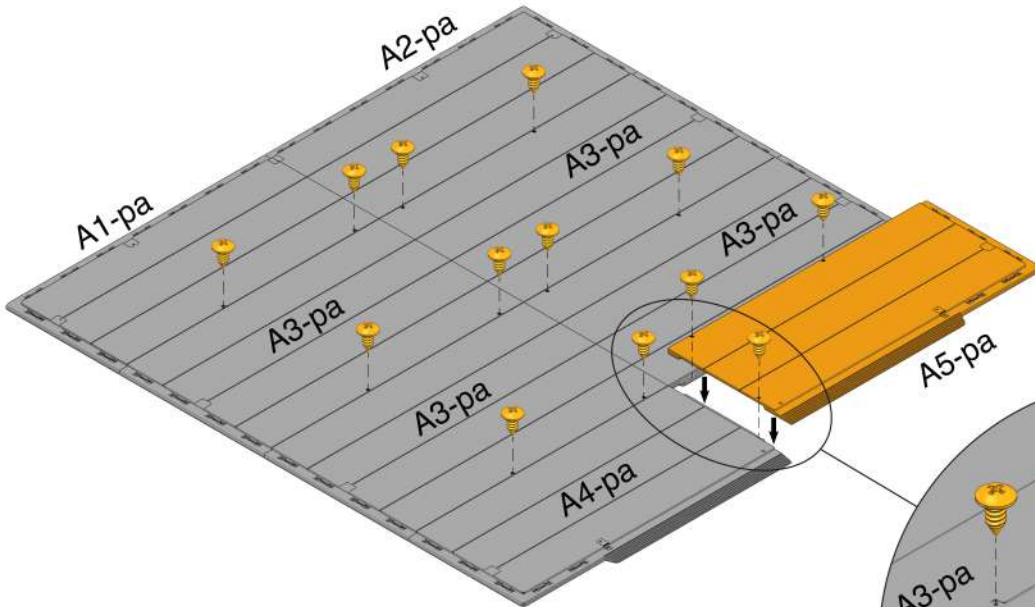
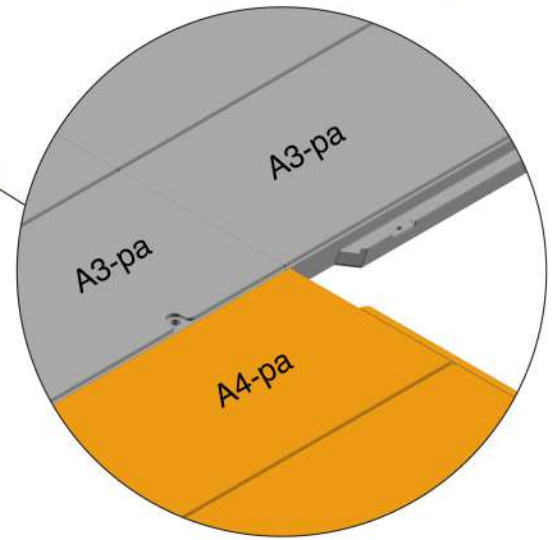
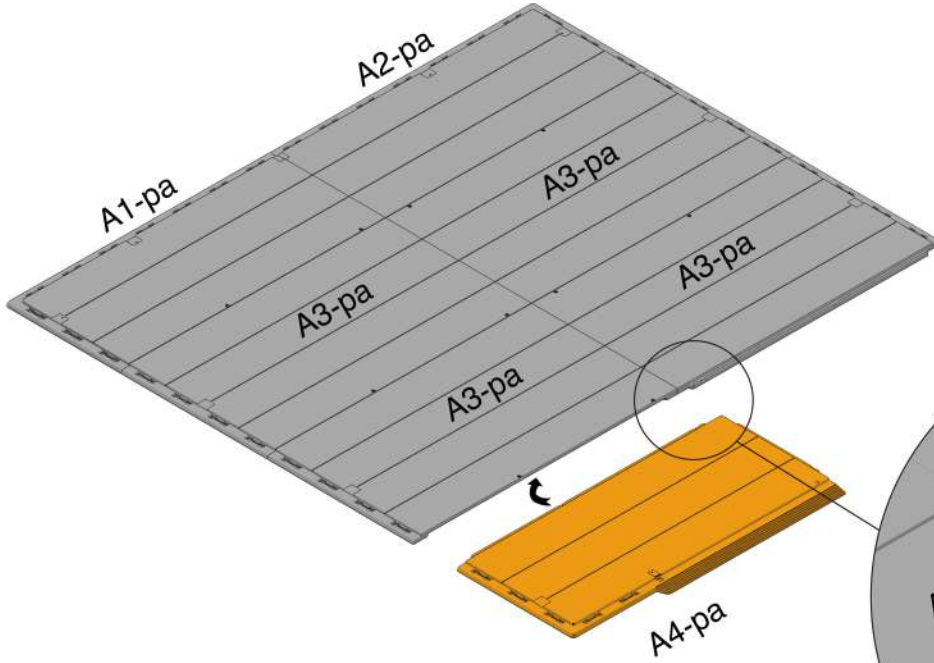
A4-pa x1



A5-pa x1



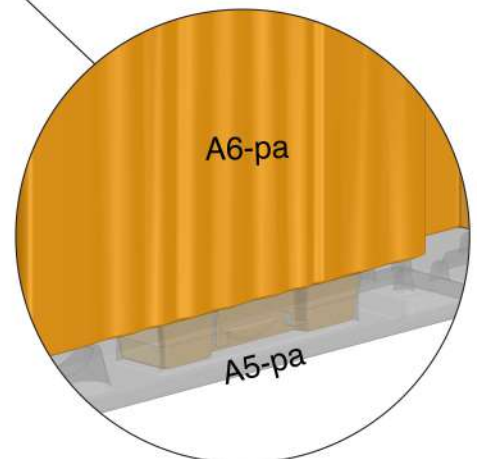
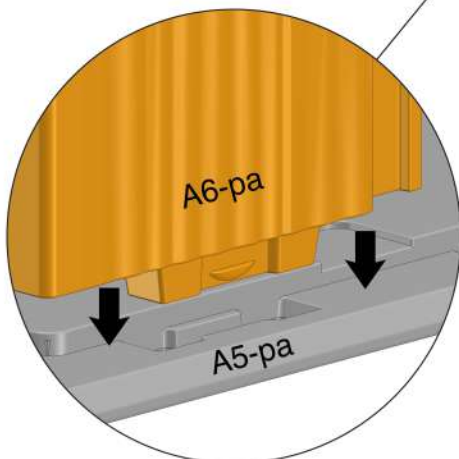
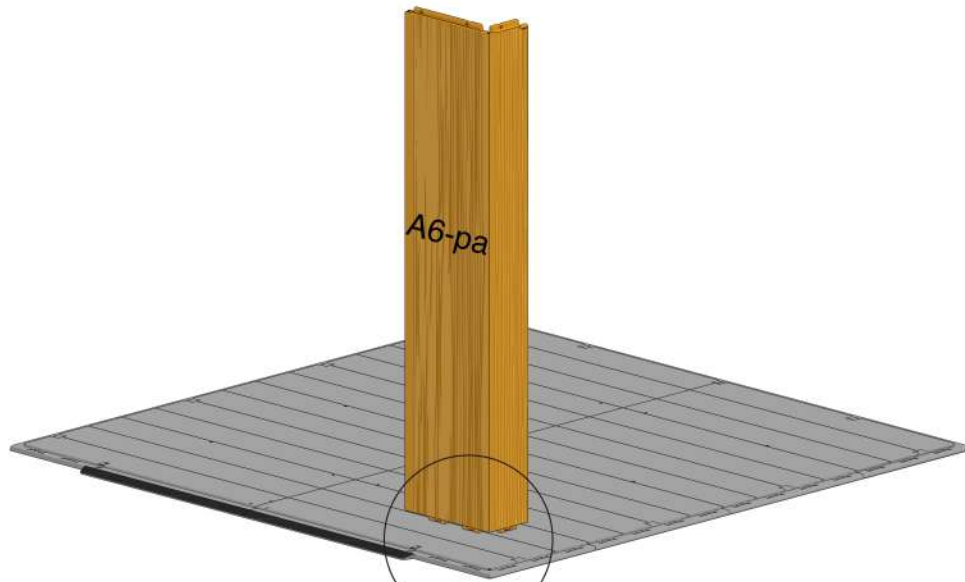
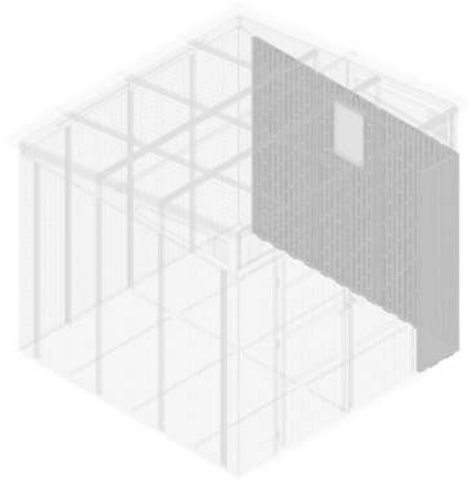
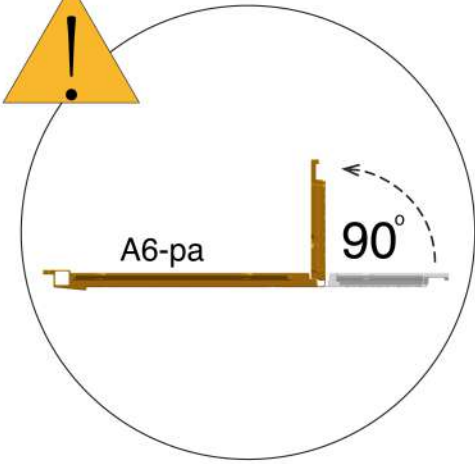
A58-hu x13



5



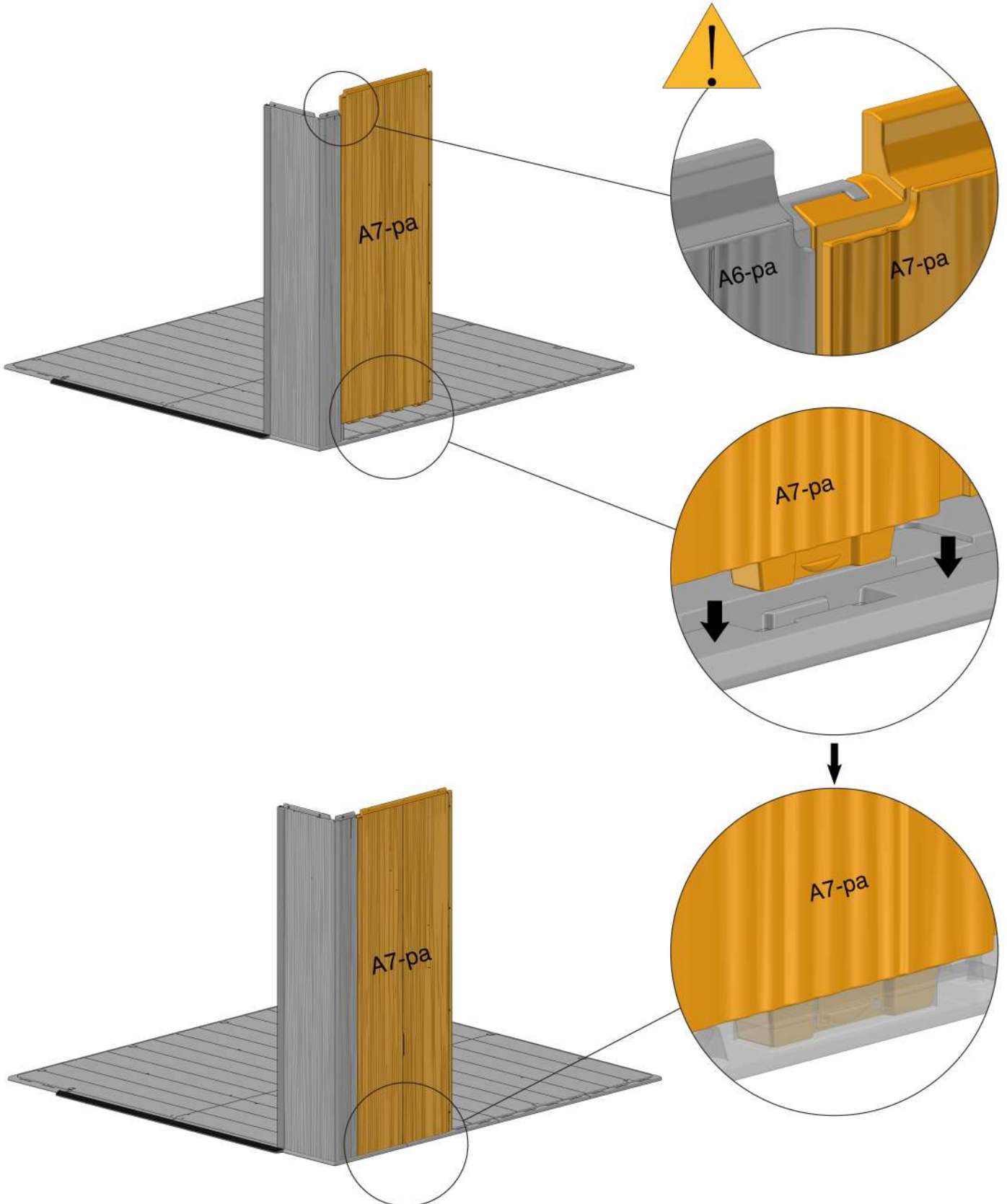
A6-pa x1



6



A7-pa x1



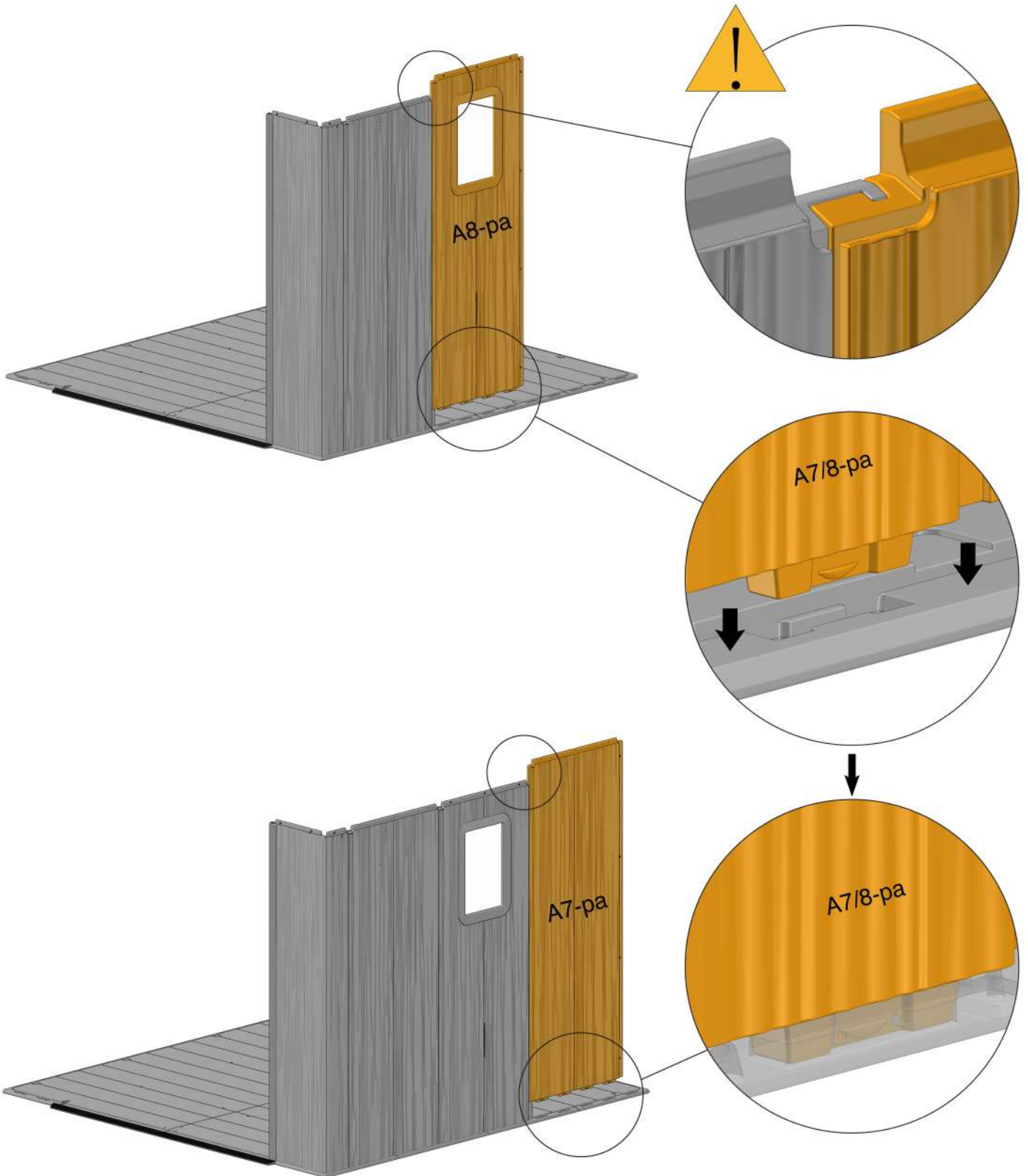
7



A7-pa x1



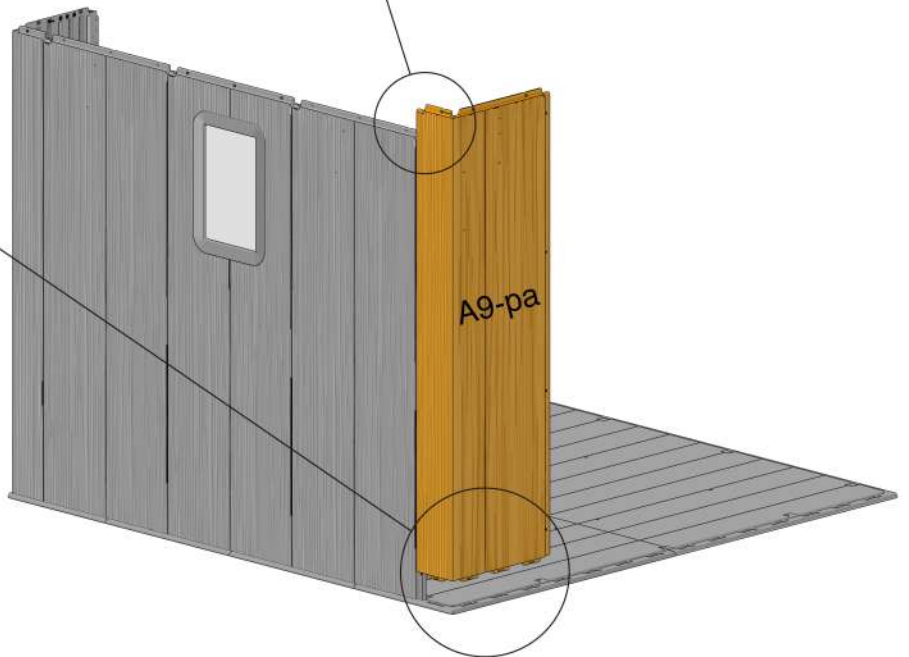
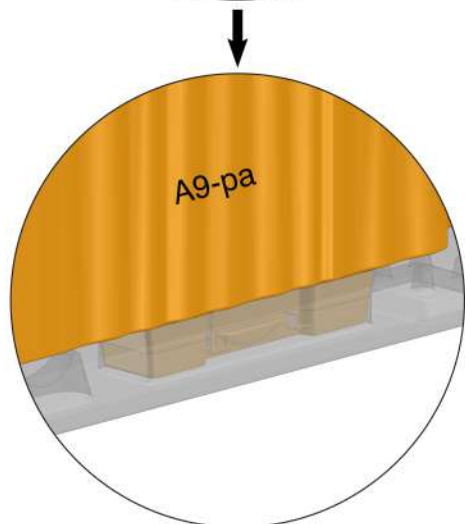
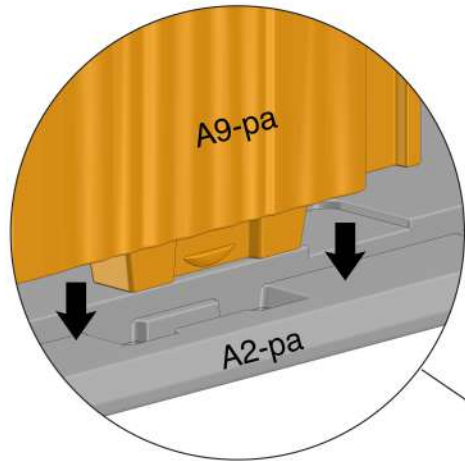
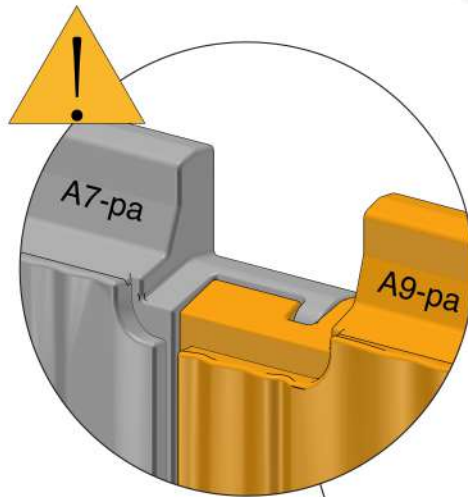
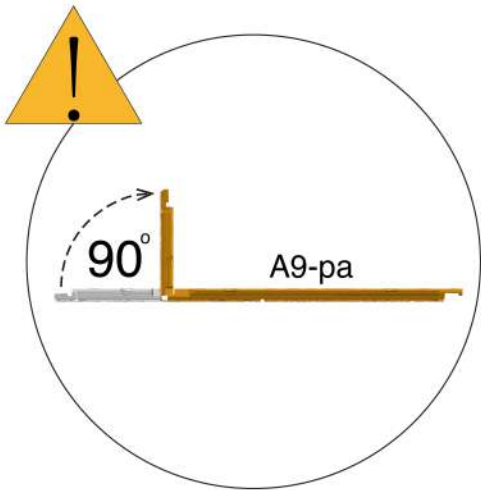
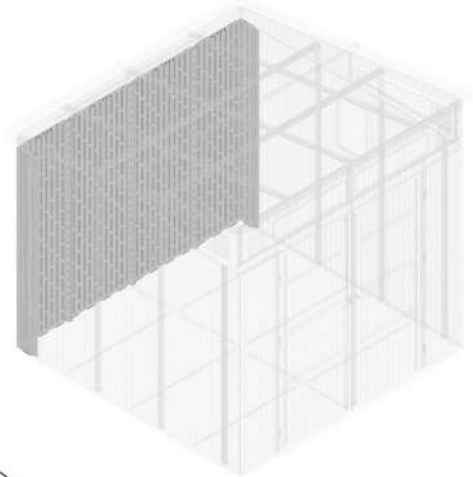
A8-pa x1



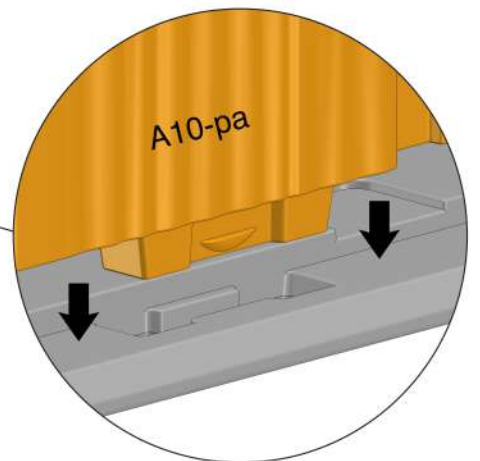
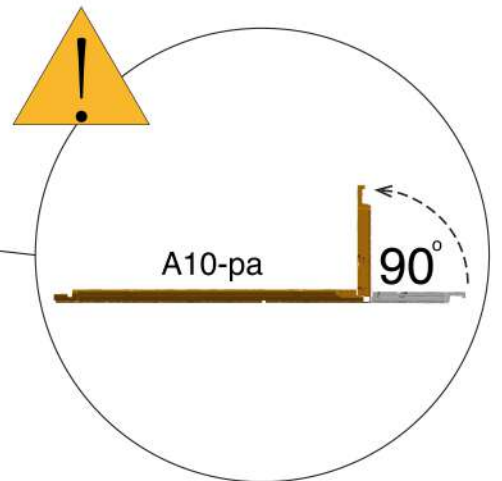
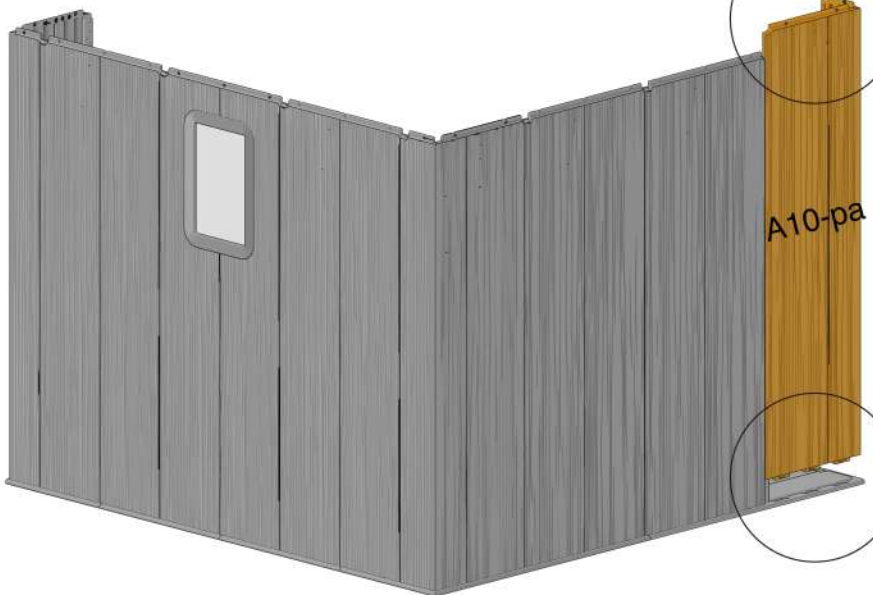
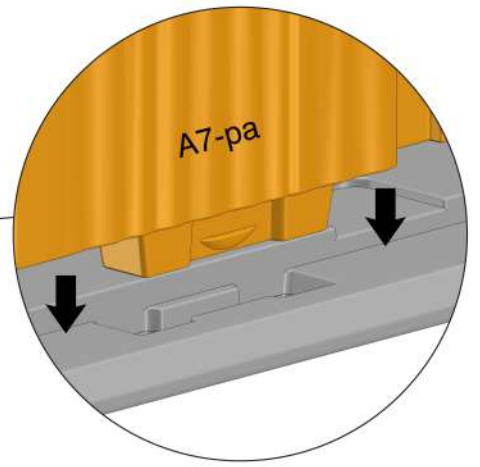
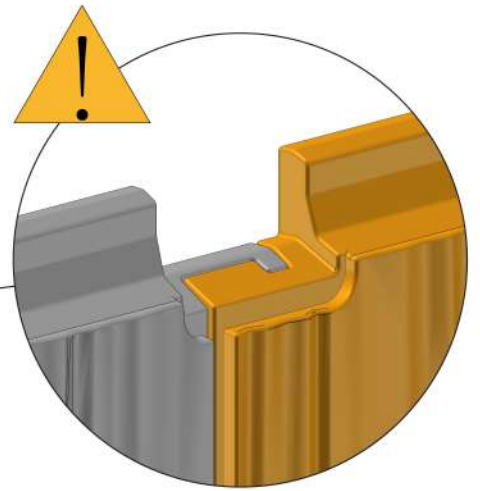
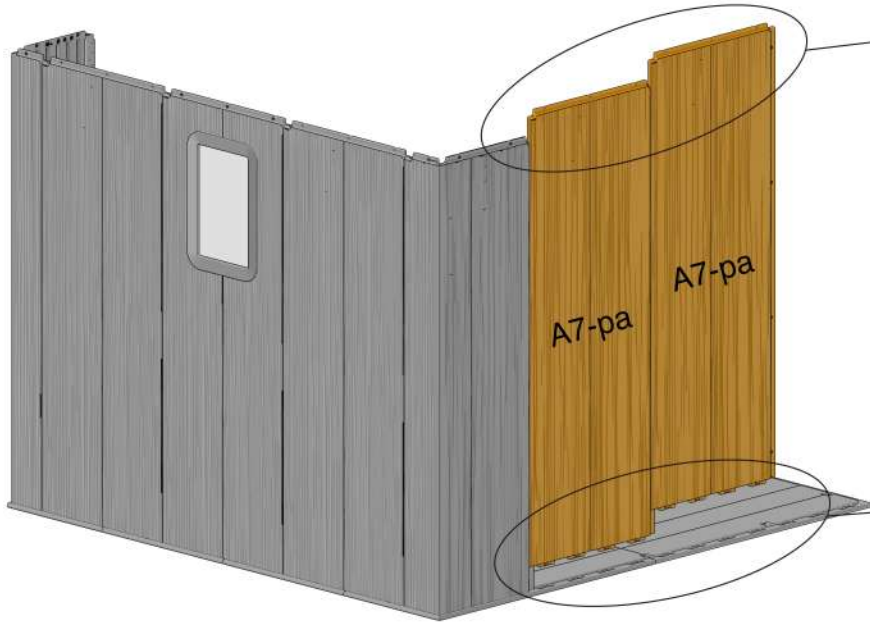
8

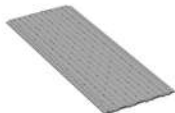
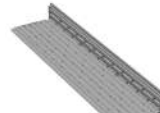


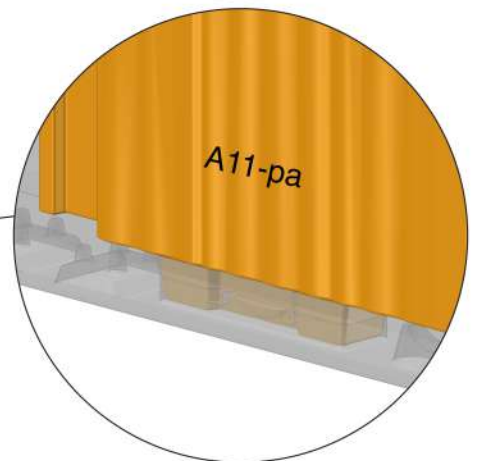
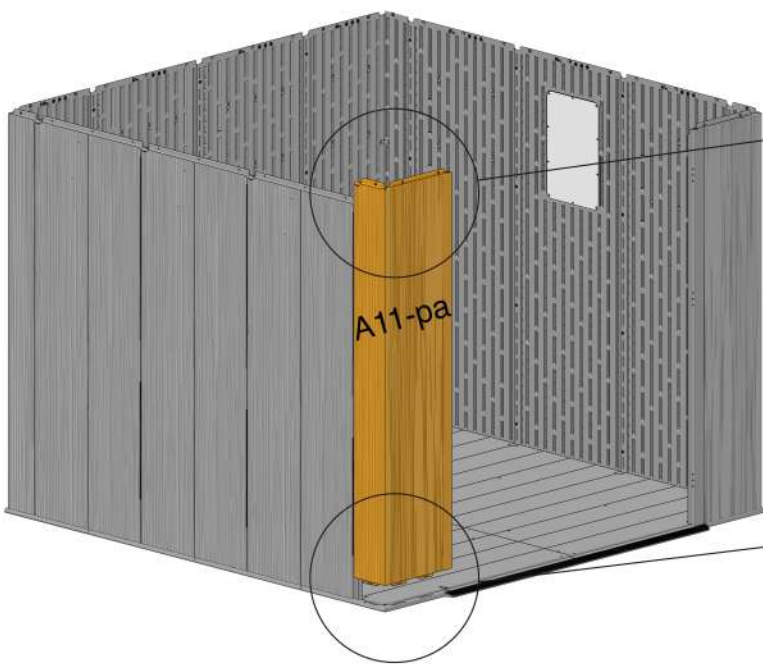
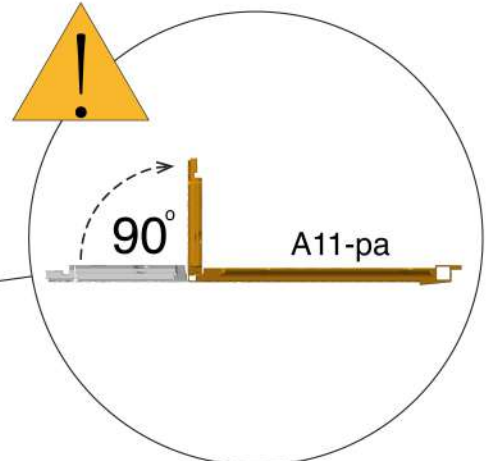
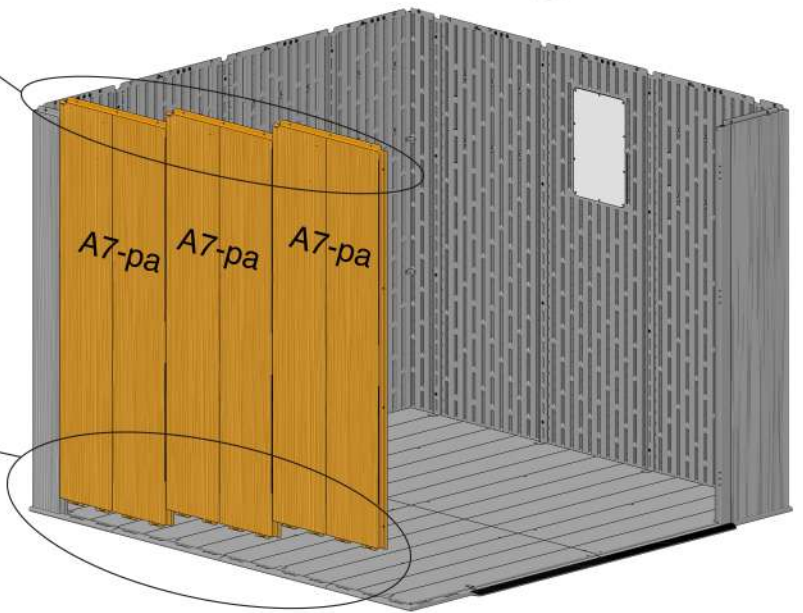
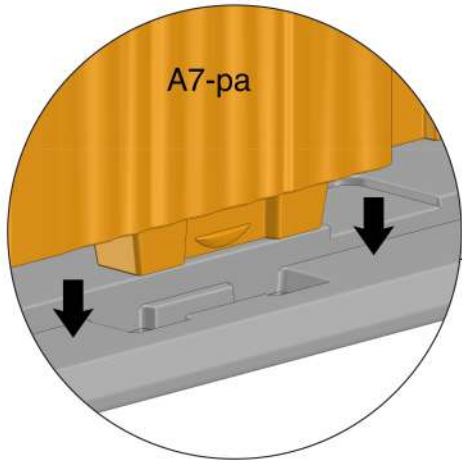
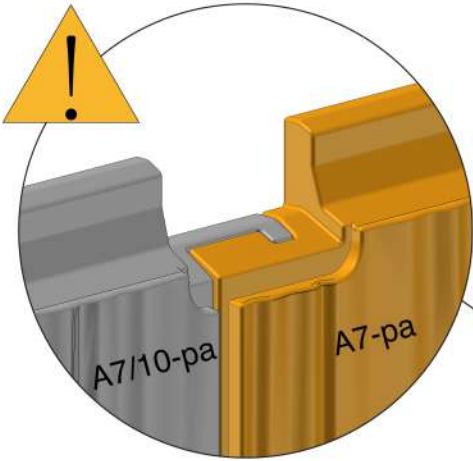
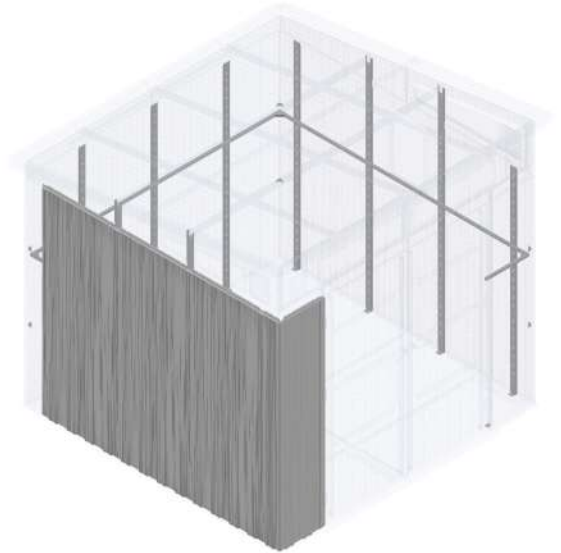
A9-pa x1



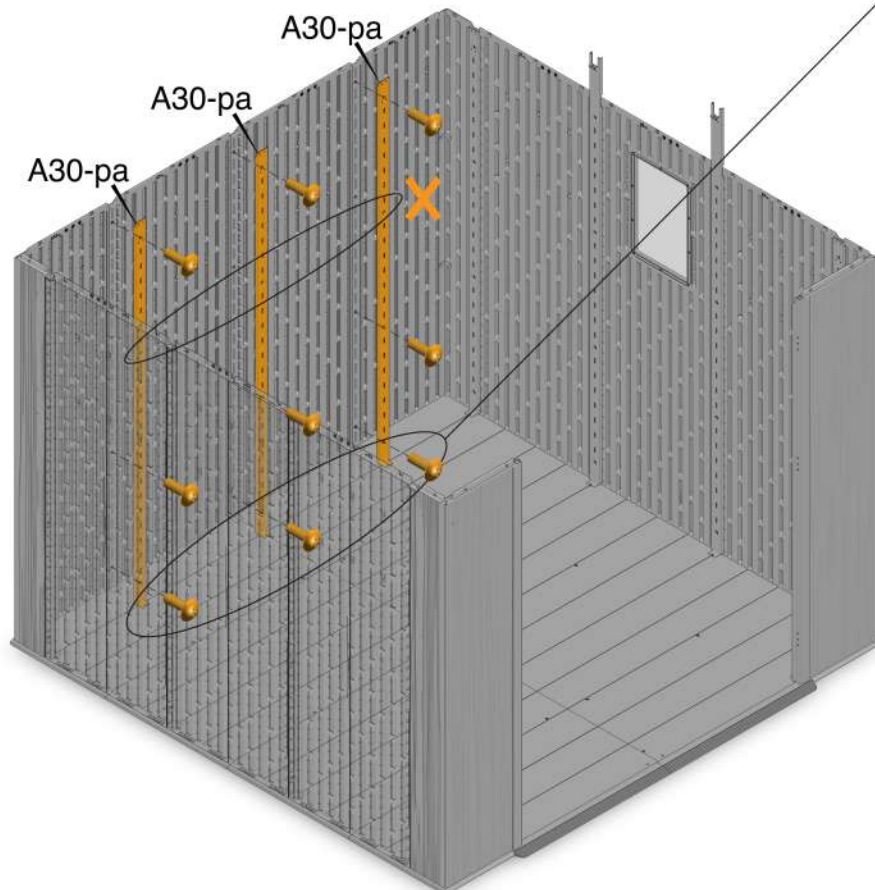
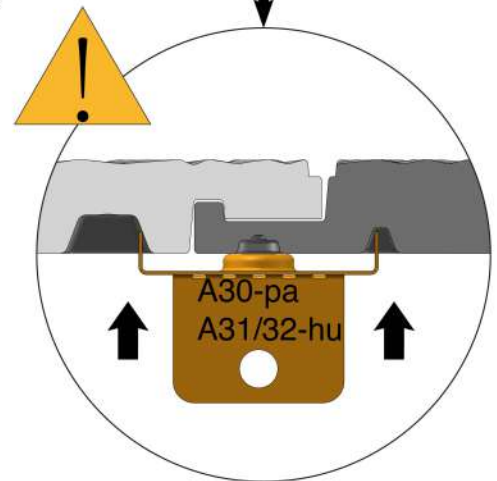
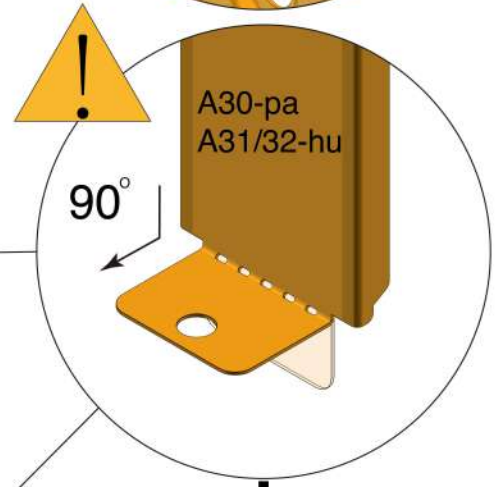
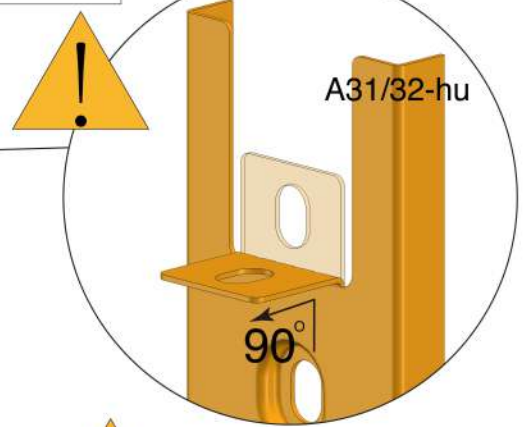
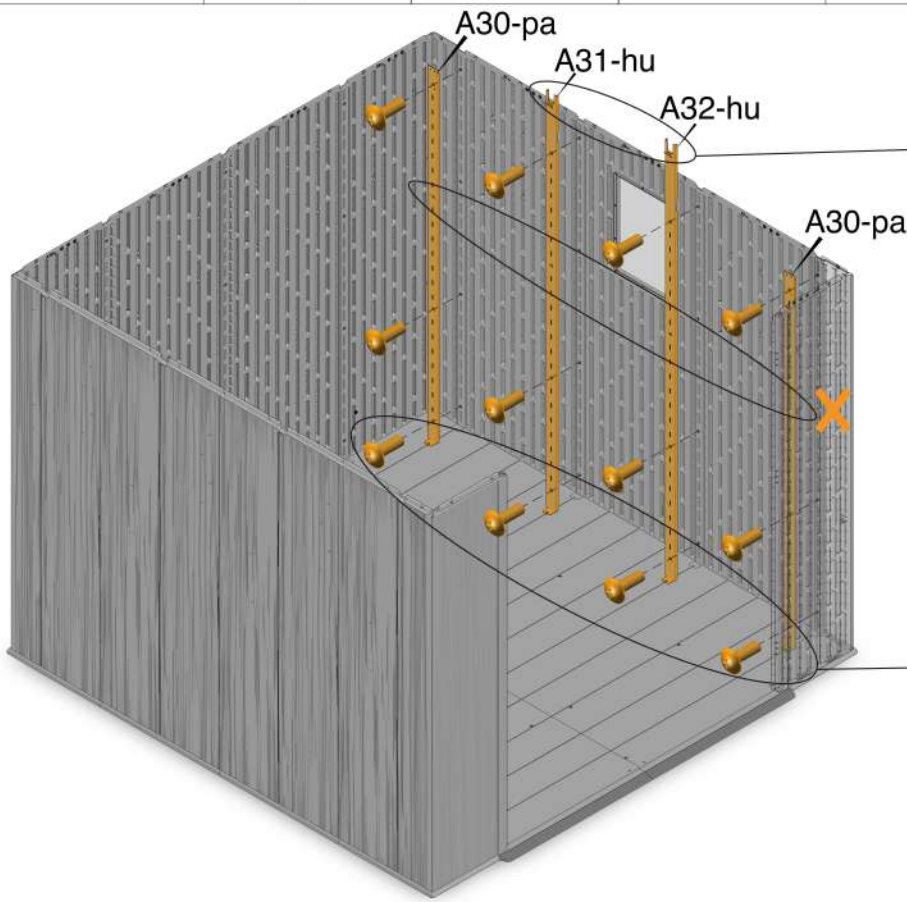
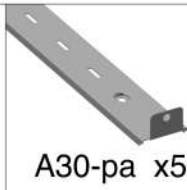
9



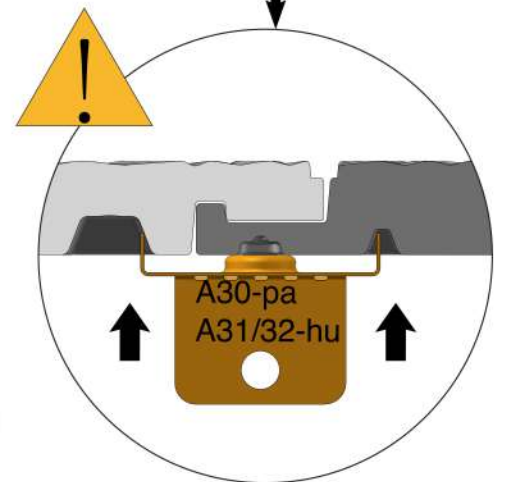
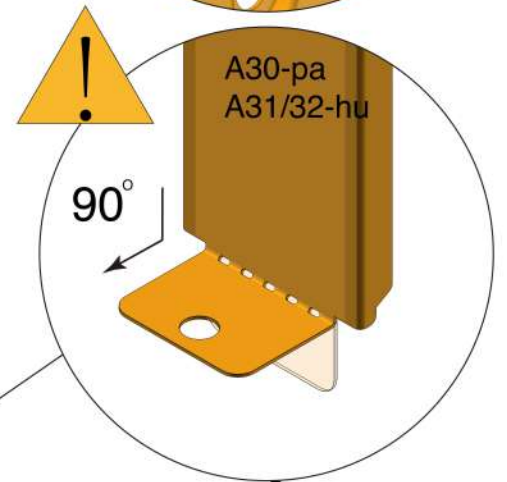
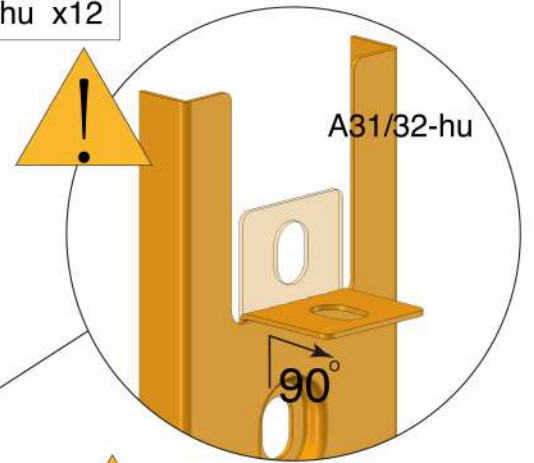
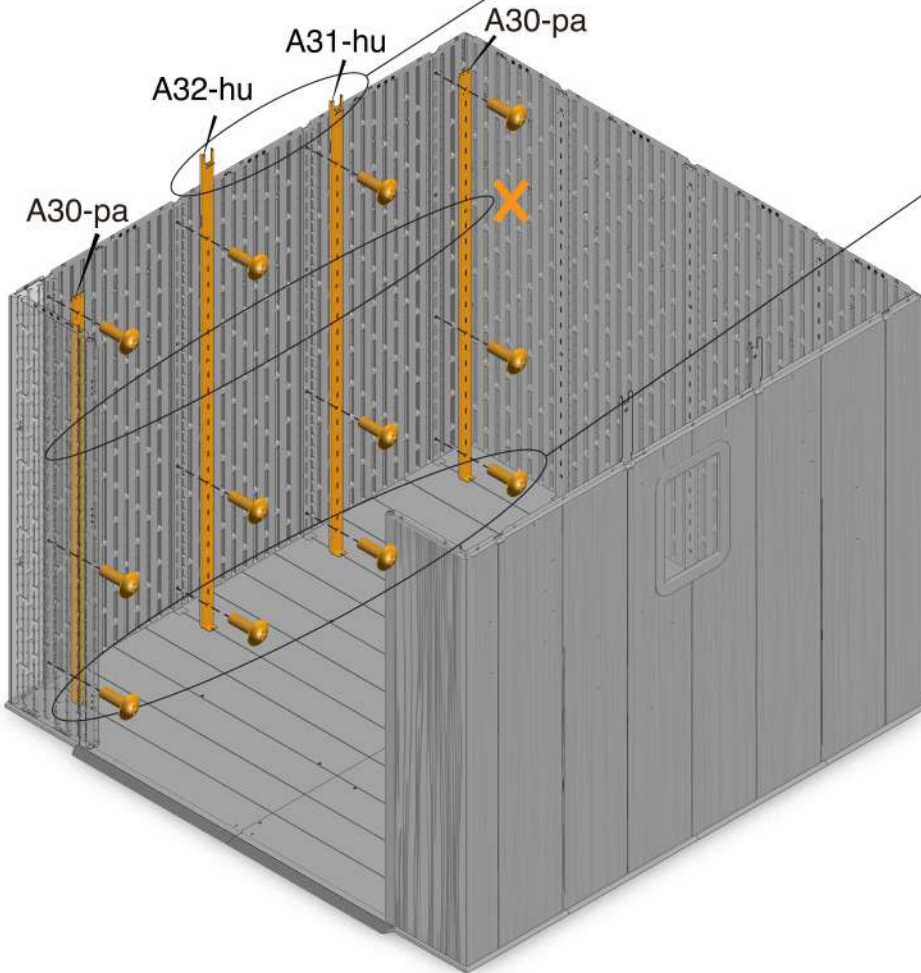
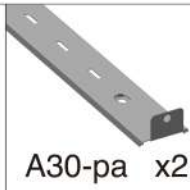
<h1>10</h1>	 <p>A7-pa x3</p>	 <p>A11-pa x1</p>
-------------	--	---



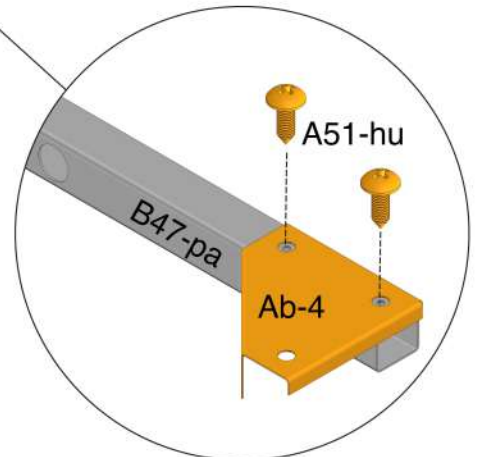
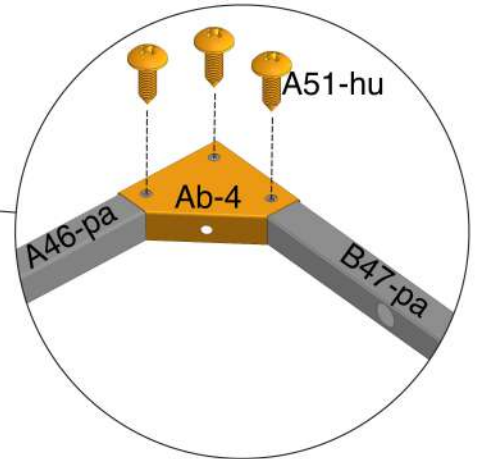
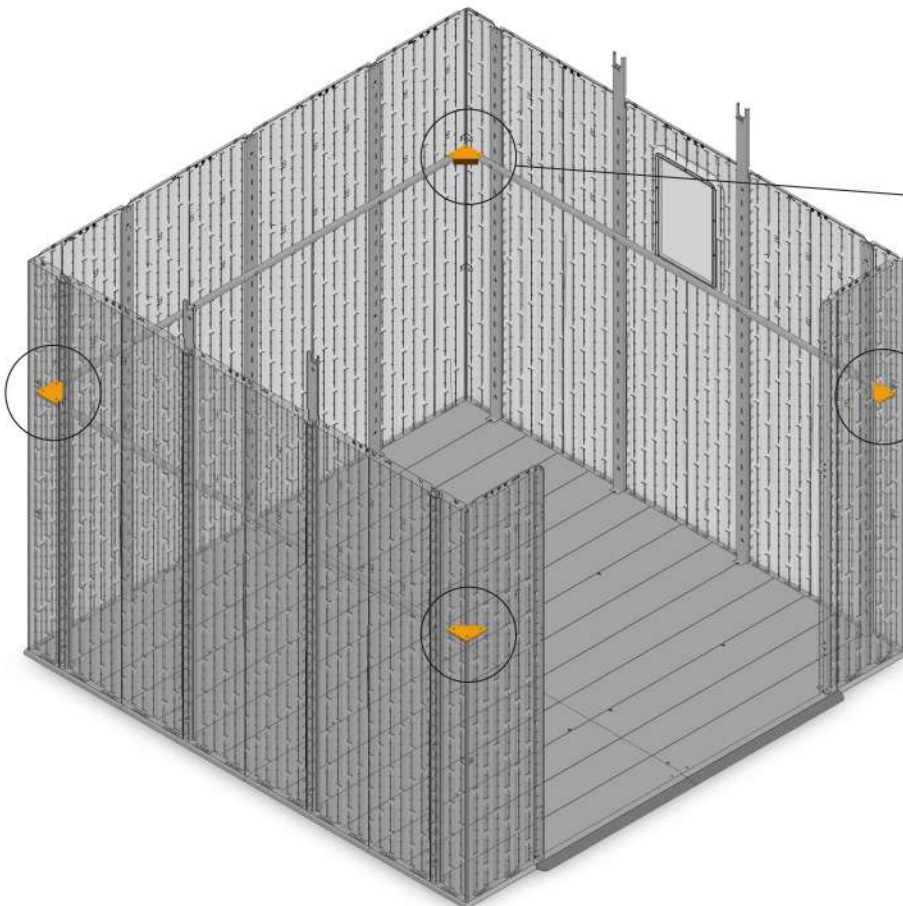
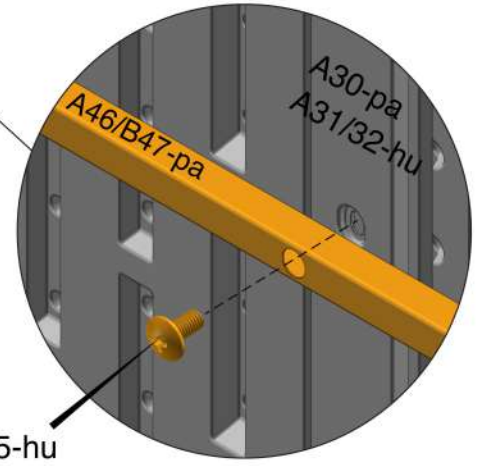
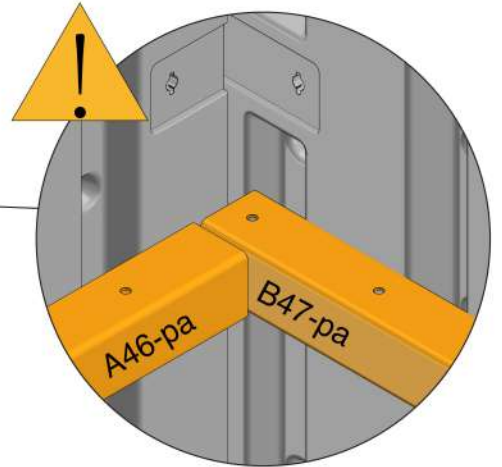
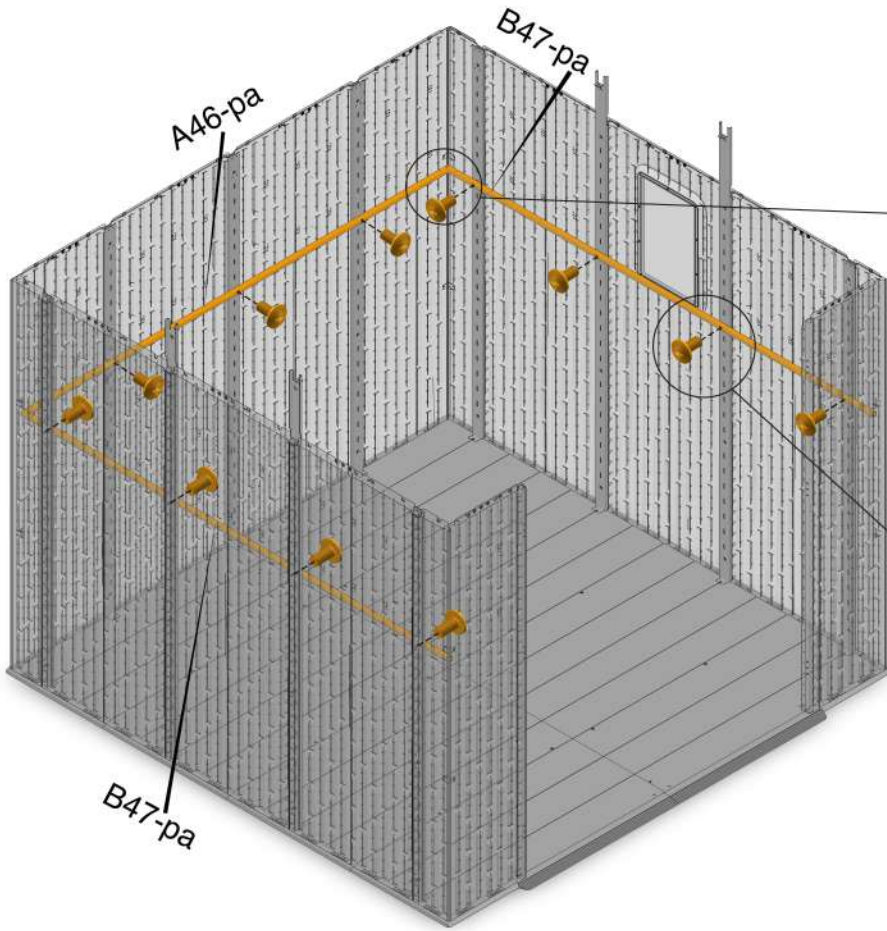
11



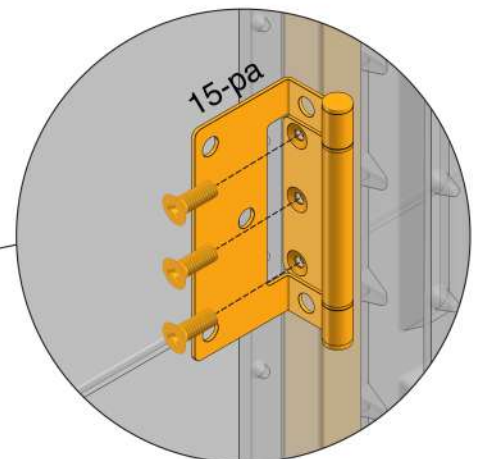
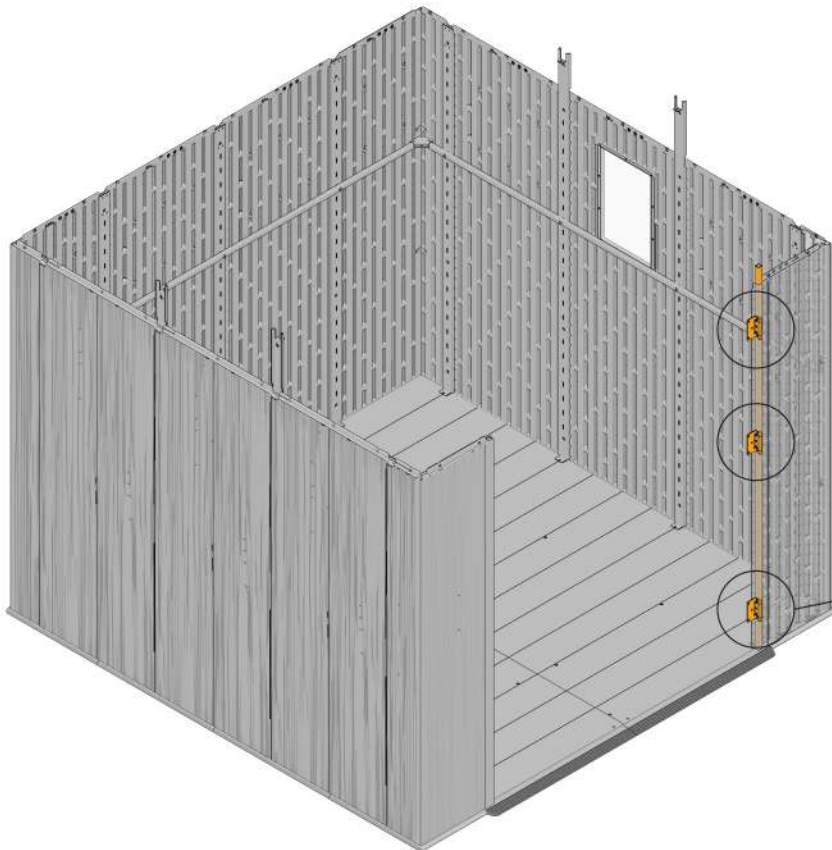
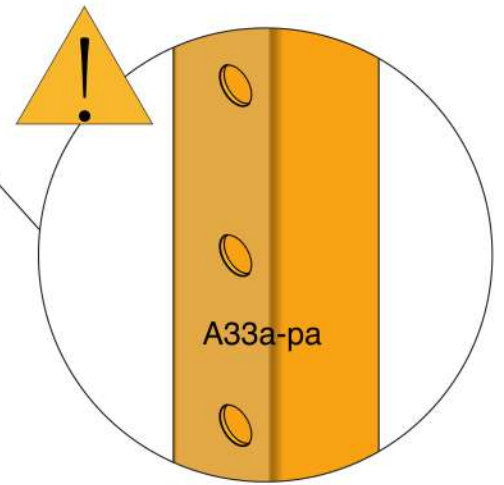
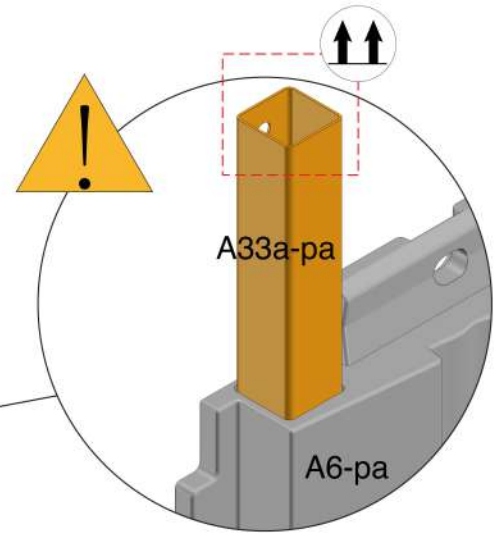
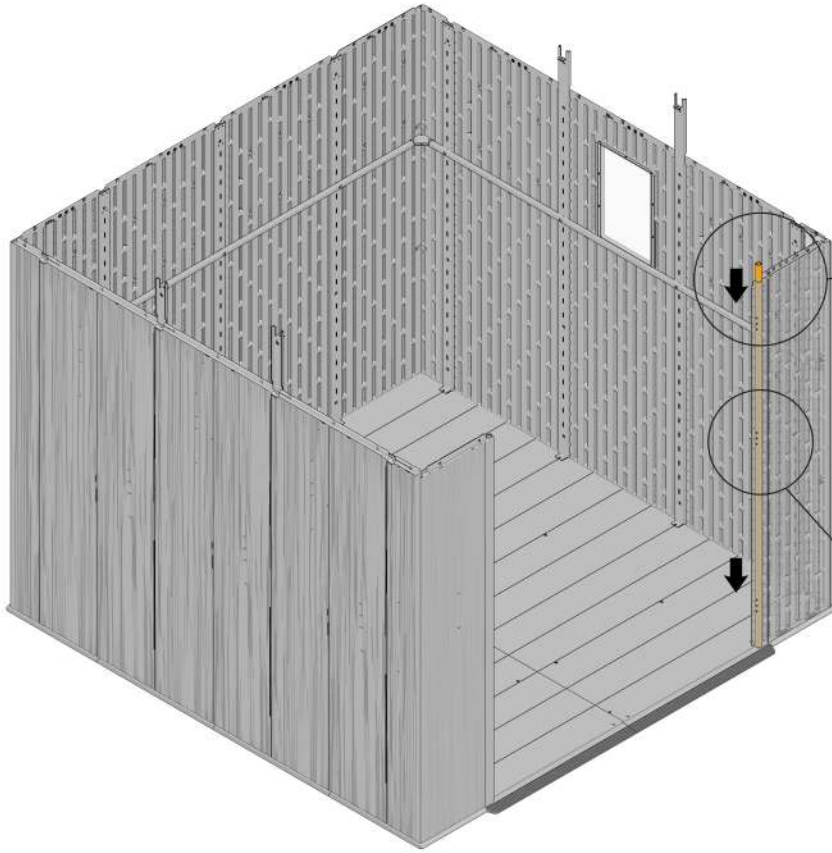
12



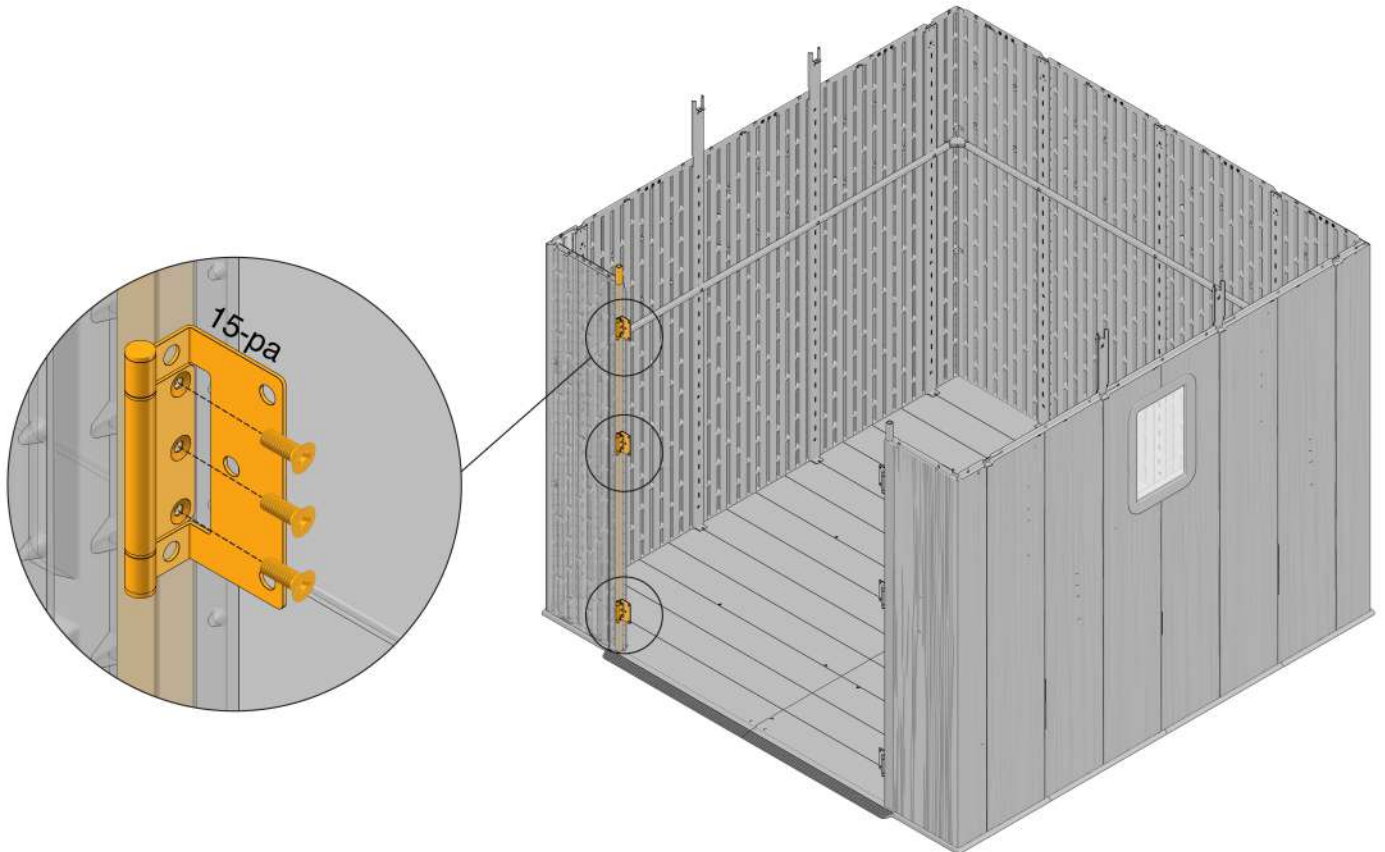
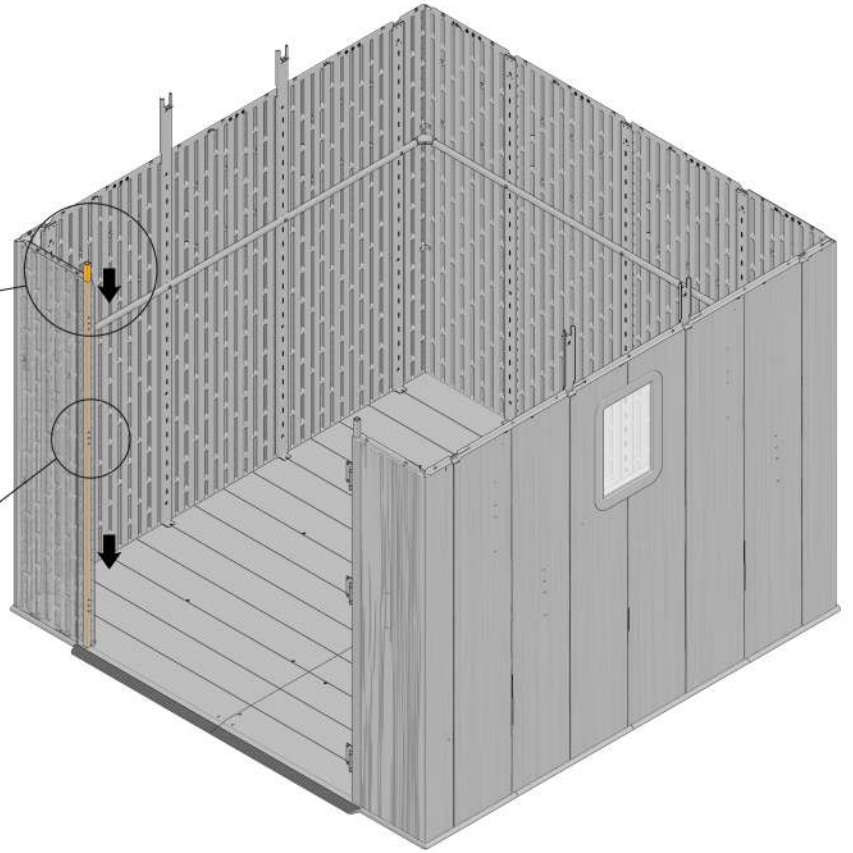
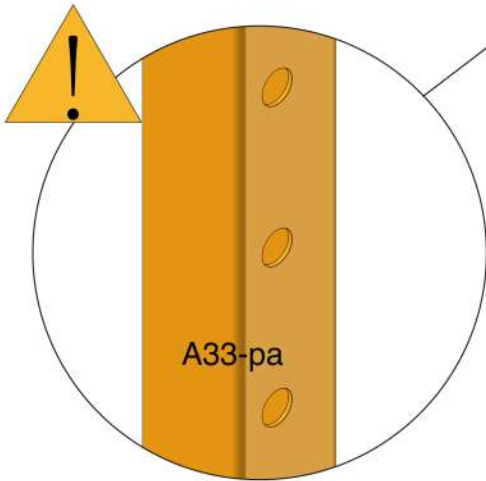
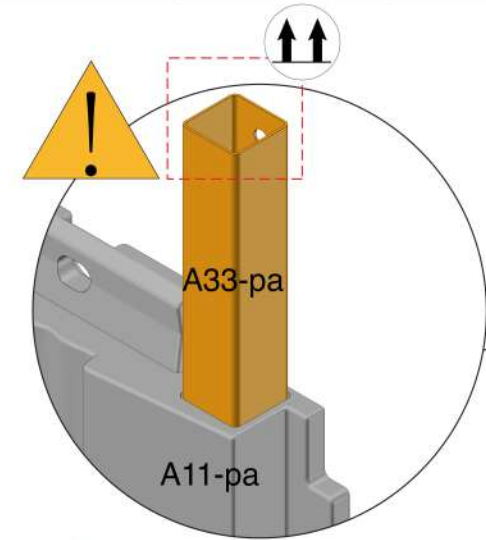
13



14



15



16



A48-pa x2



21-pa x2



16-pa x10



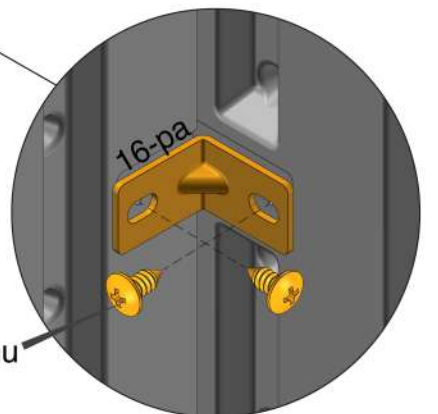
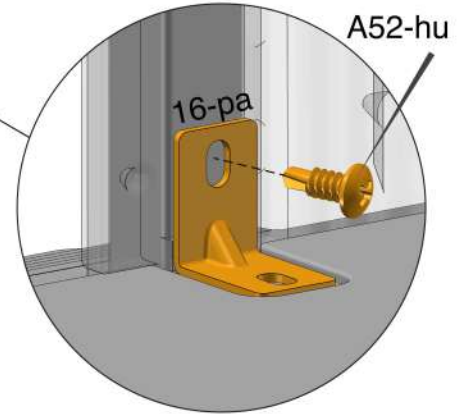
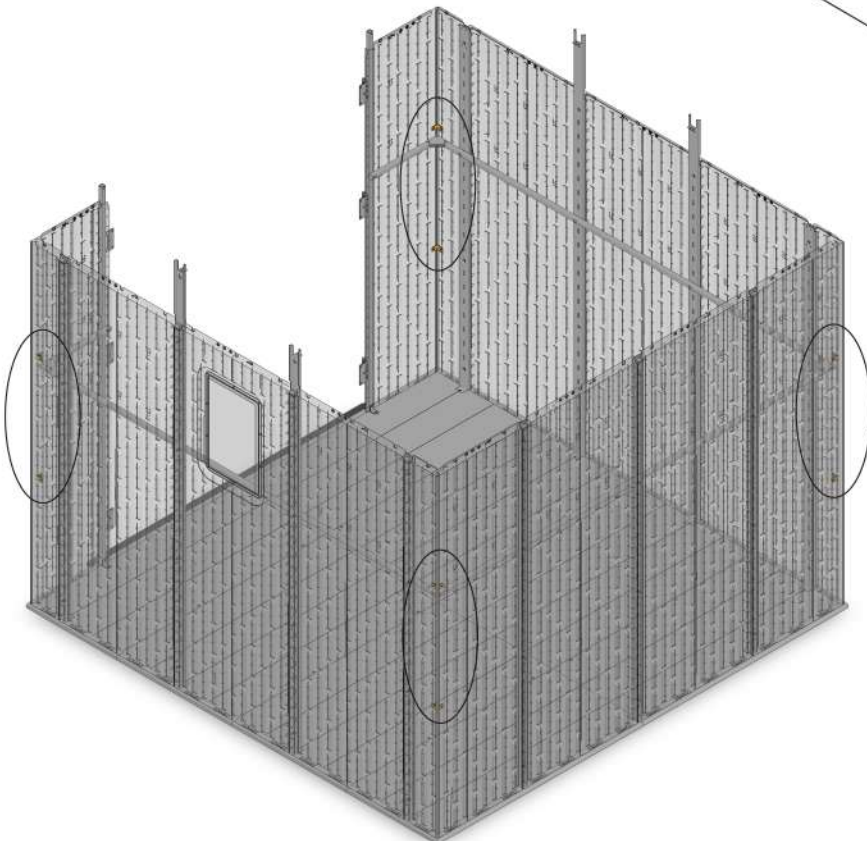
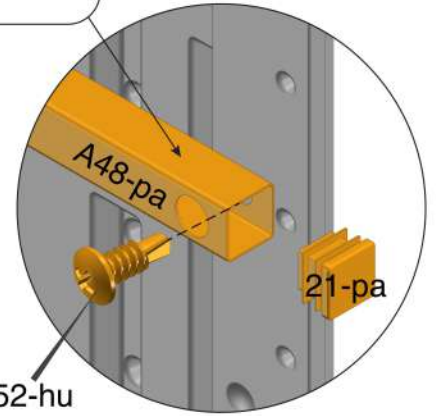
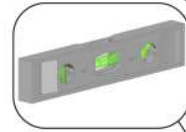
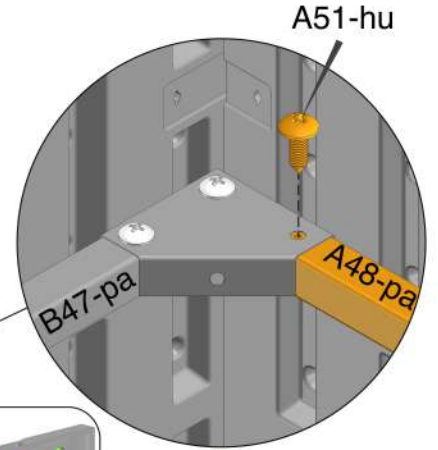
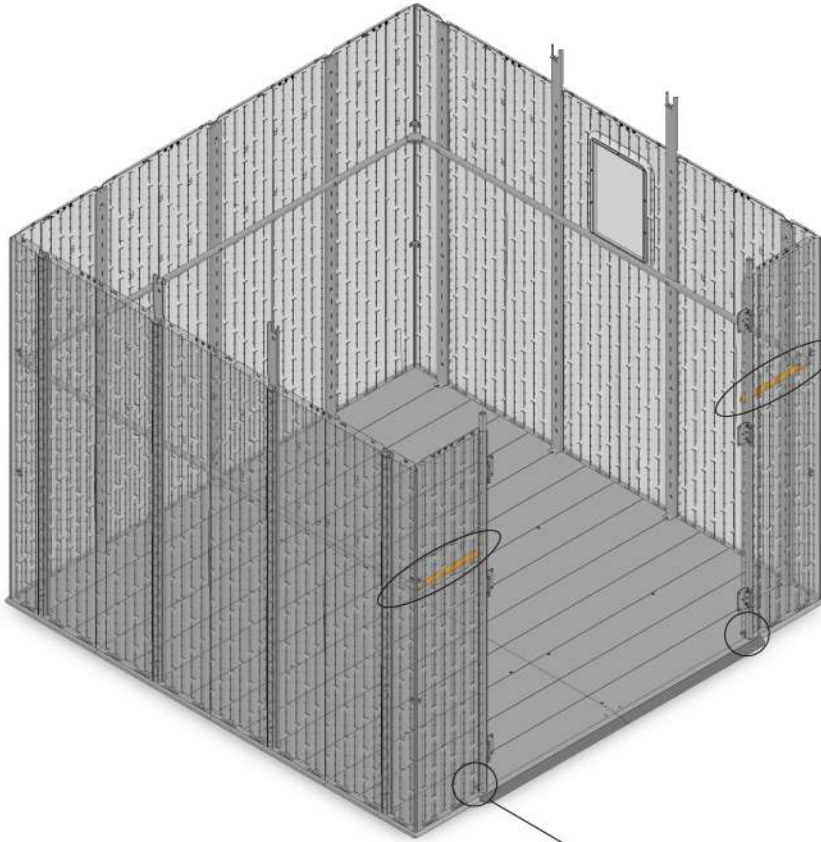
A51-hu x2



A52-hu x4



A58-hu x16



17



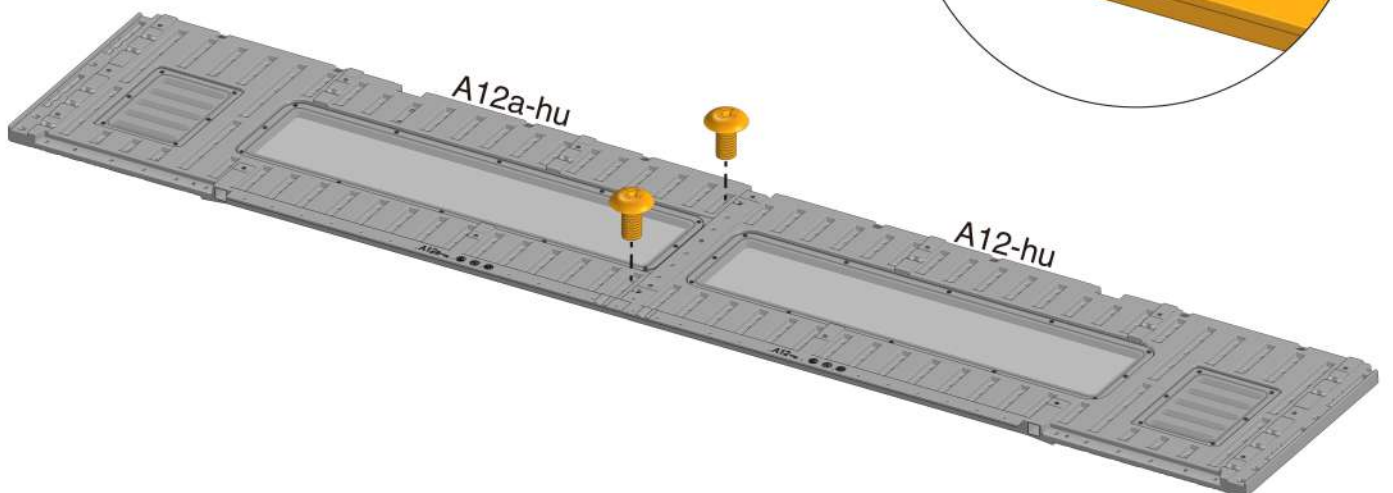
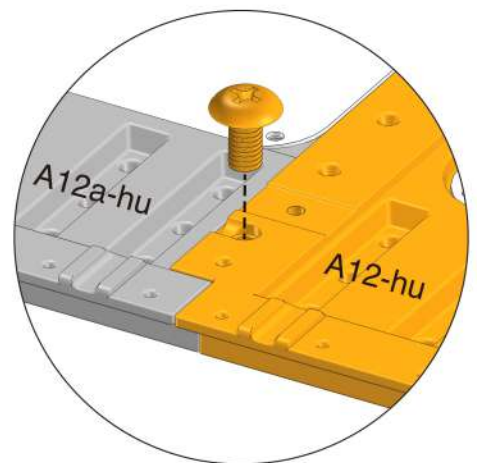
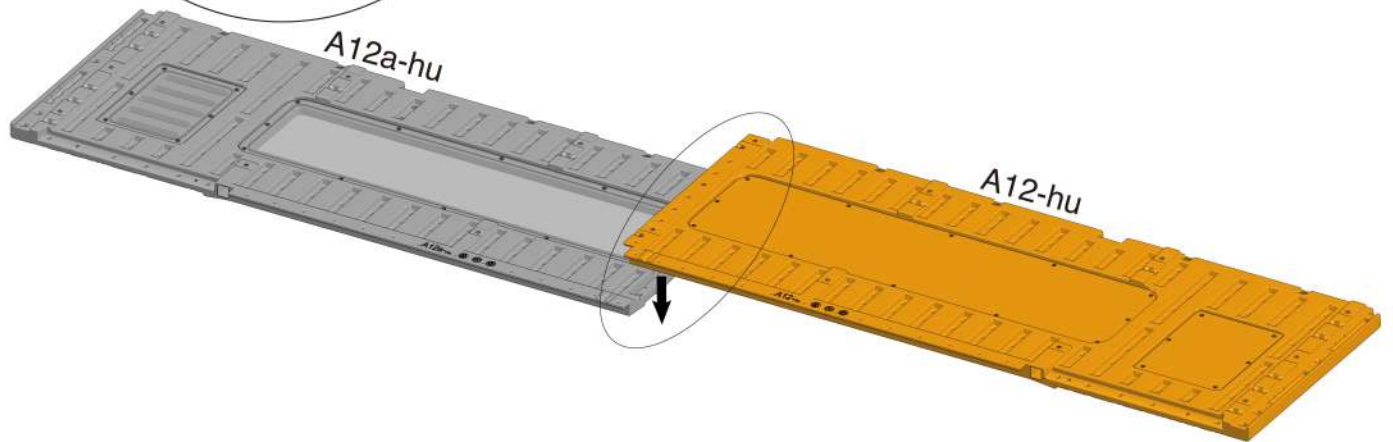
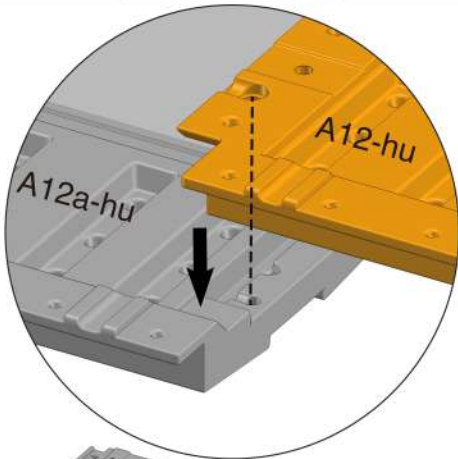
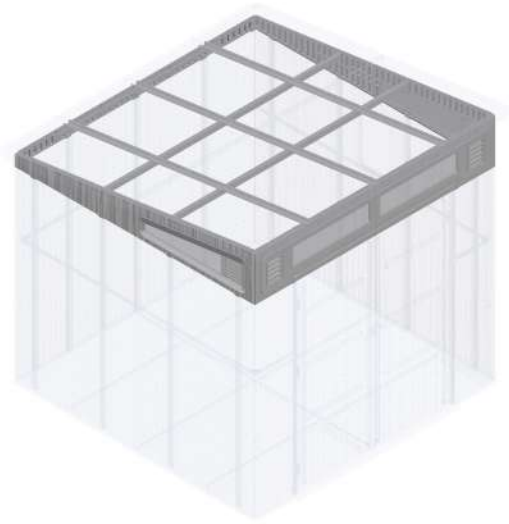
A12-hu x1



A12a-hu x1



A54-hu x2



18



A33-hu x2



A34-hu x3



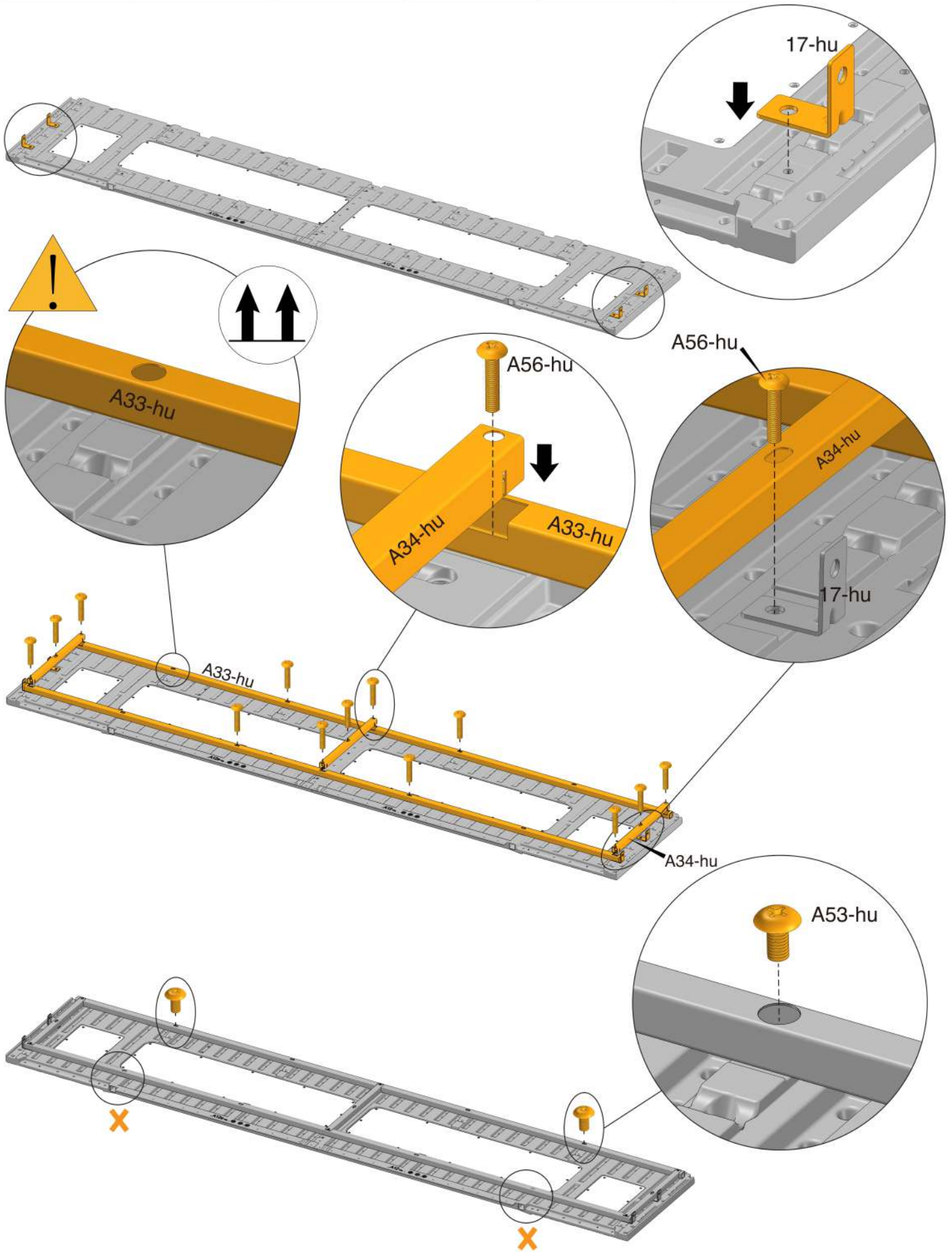
17-hu x4



A56-hu x13



A53-hu x2



19



A13-hu x1



A13a-hu x1



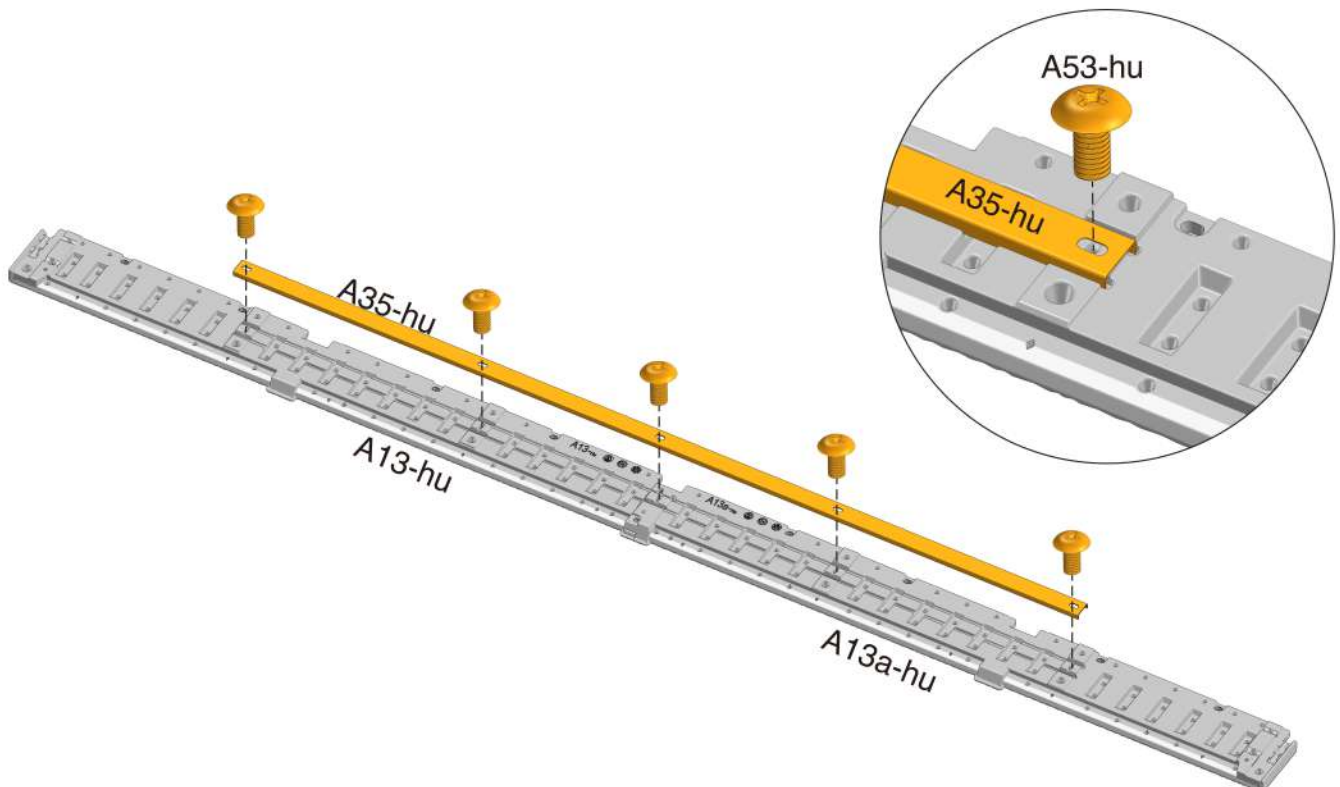
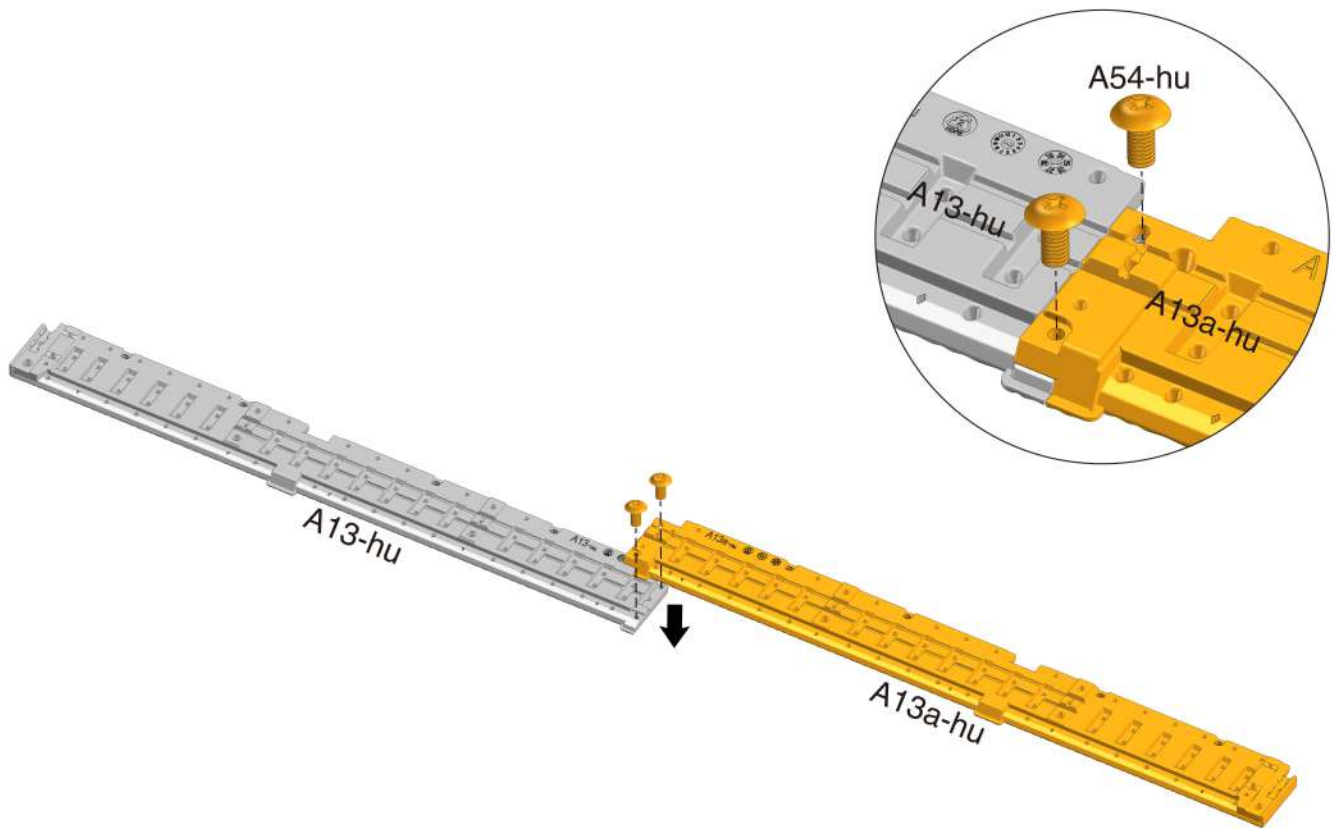
A35-hu x1



A53-hu x5



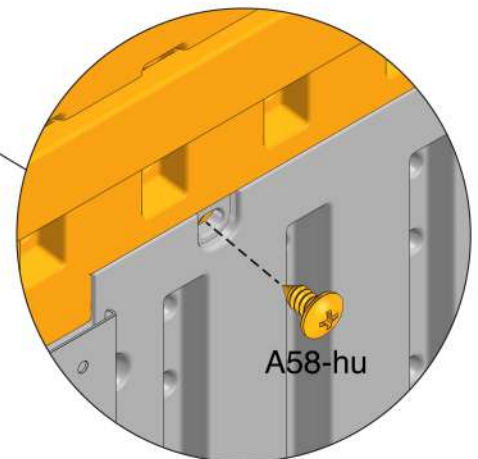
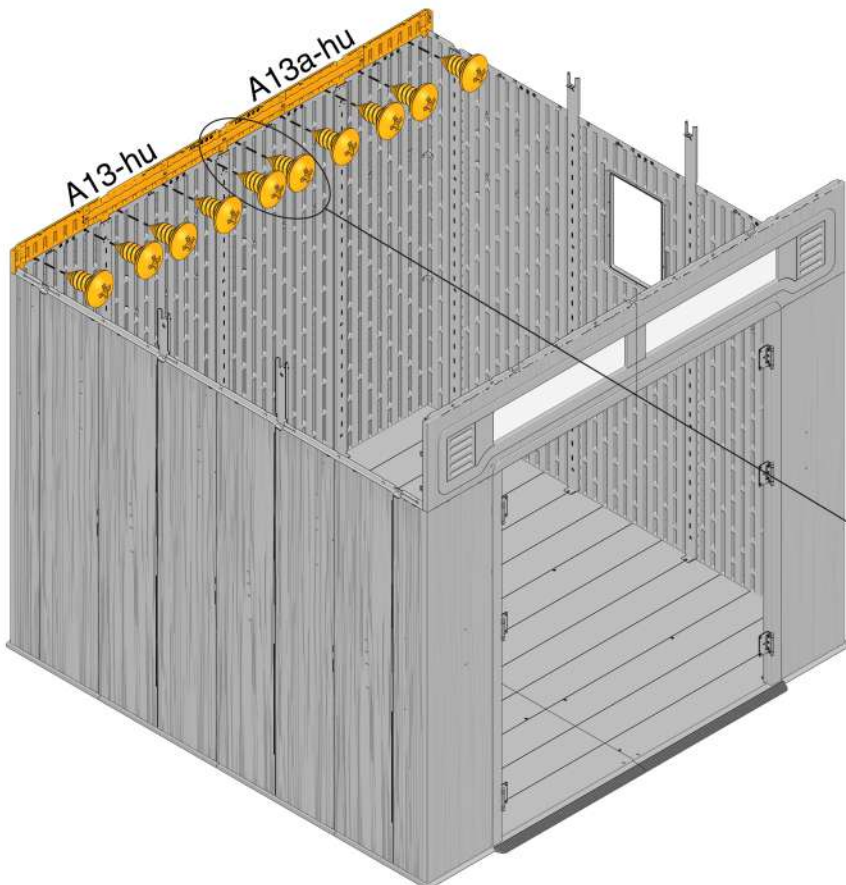
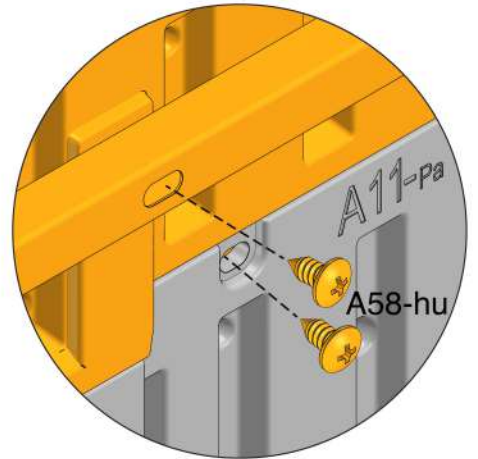
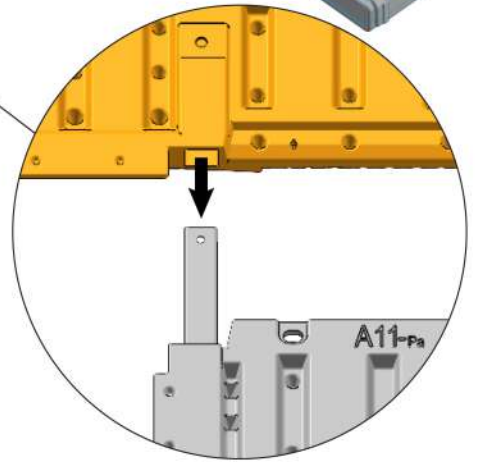
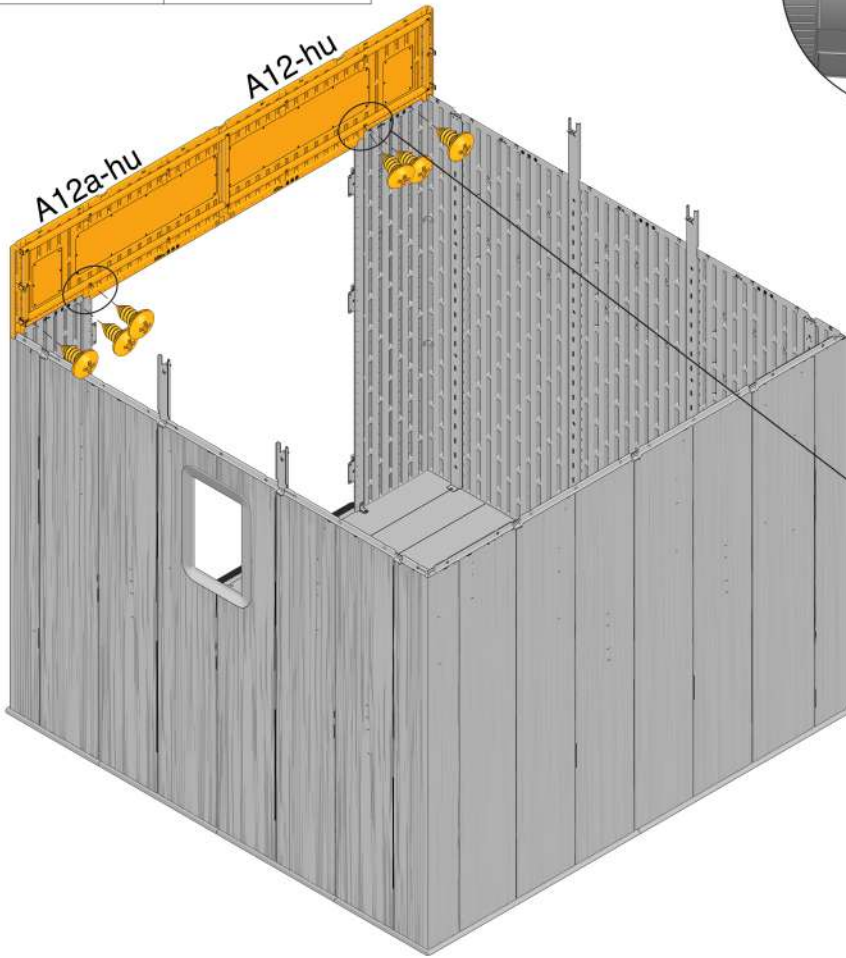
A54-hu x2



20



A58-hu x16



21



A14-hu x1



A14a-hu x1



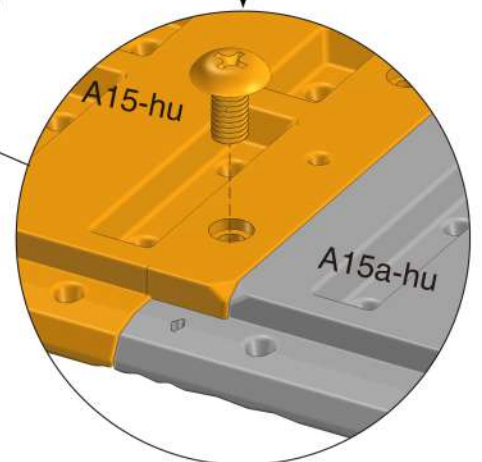
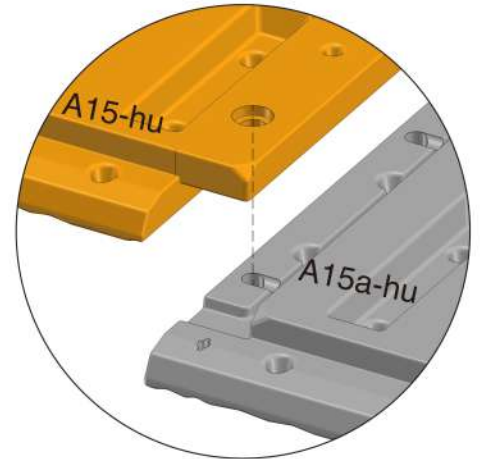
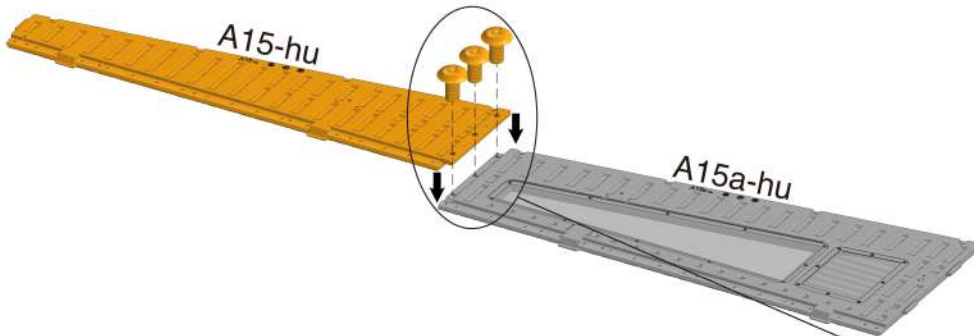
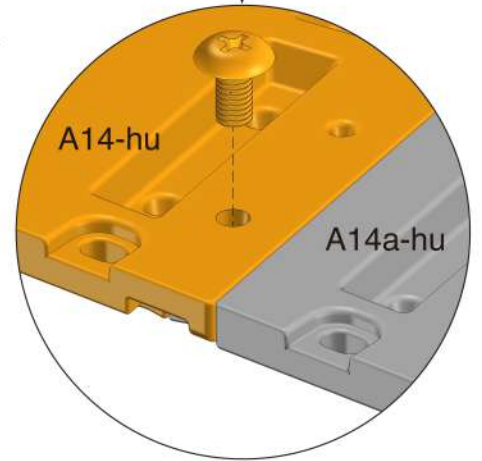
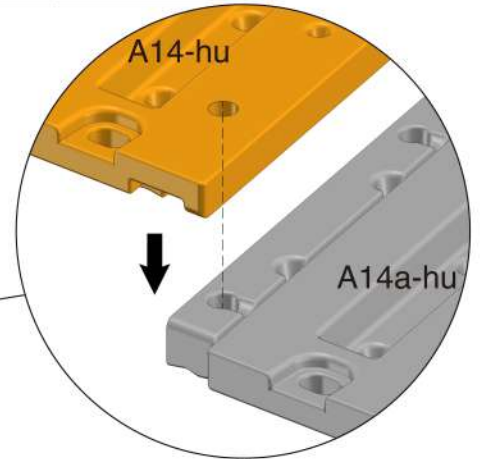
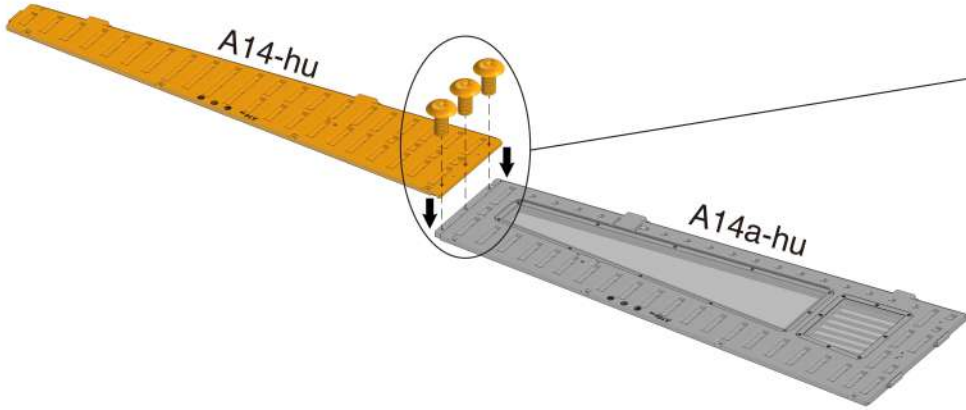
A15-hu x1



A15a-hu x1



A54-hu x6



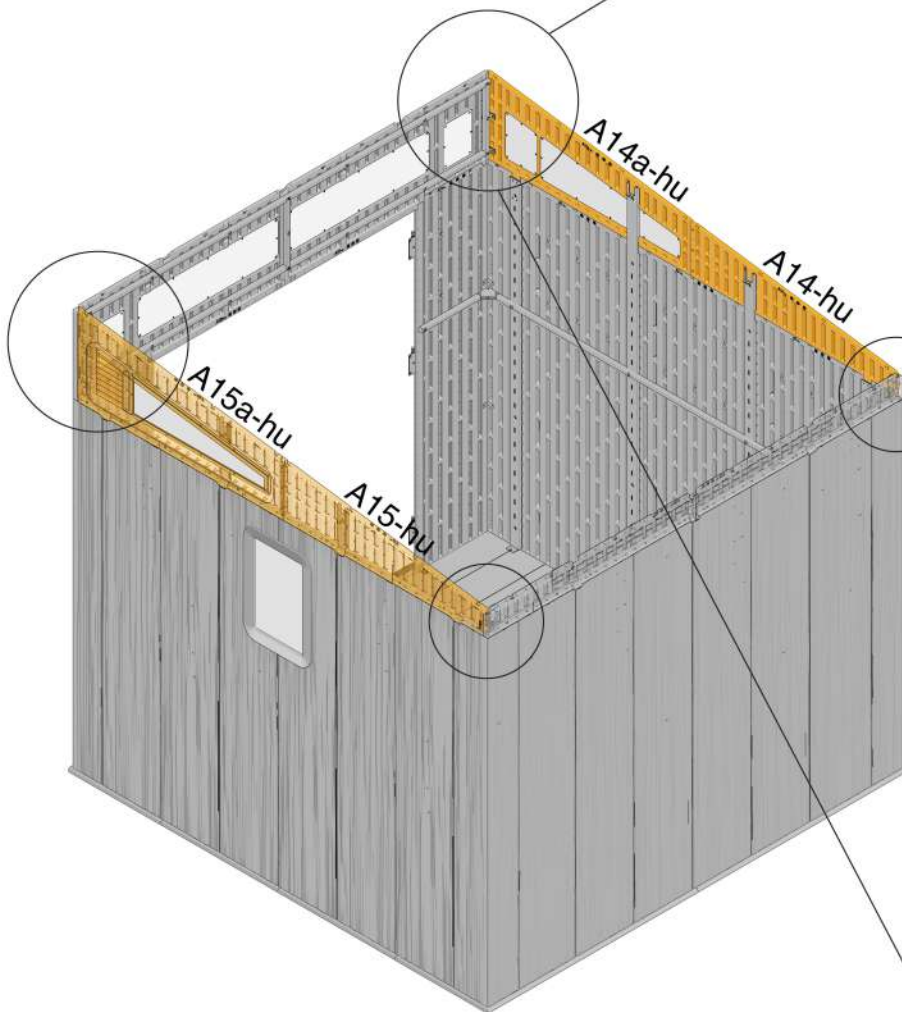
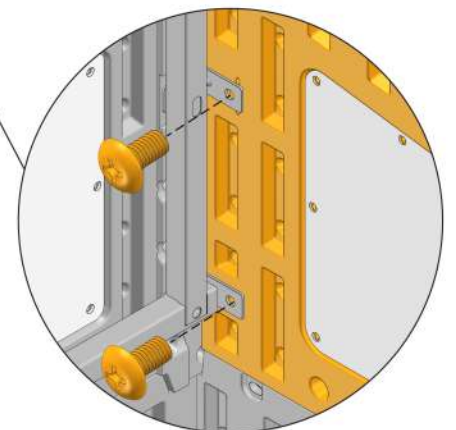
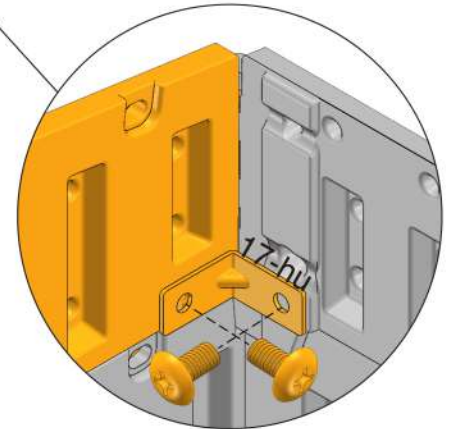
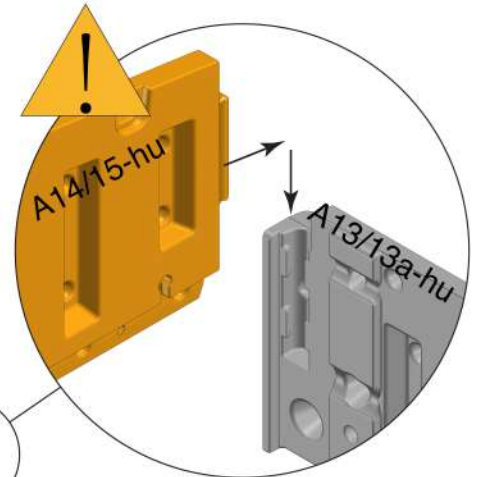
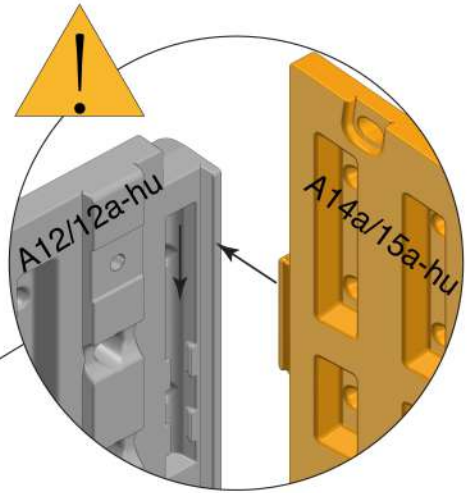
22



17-hu x2



A53-hu x8



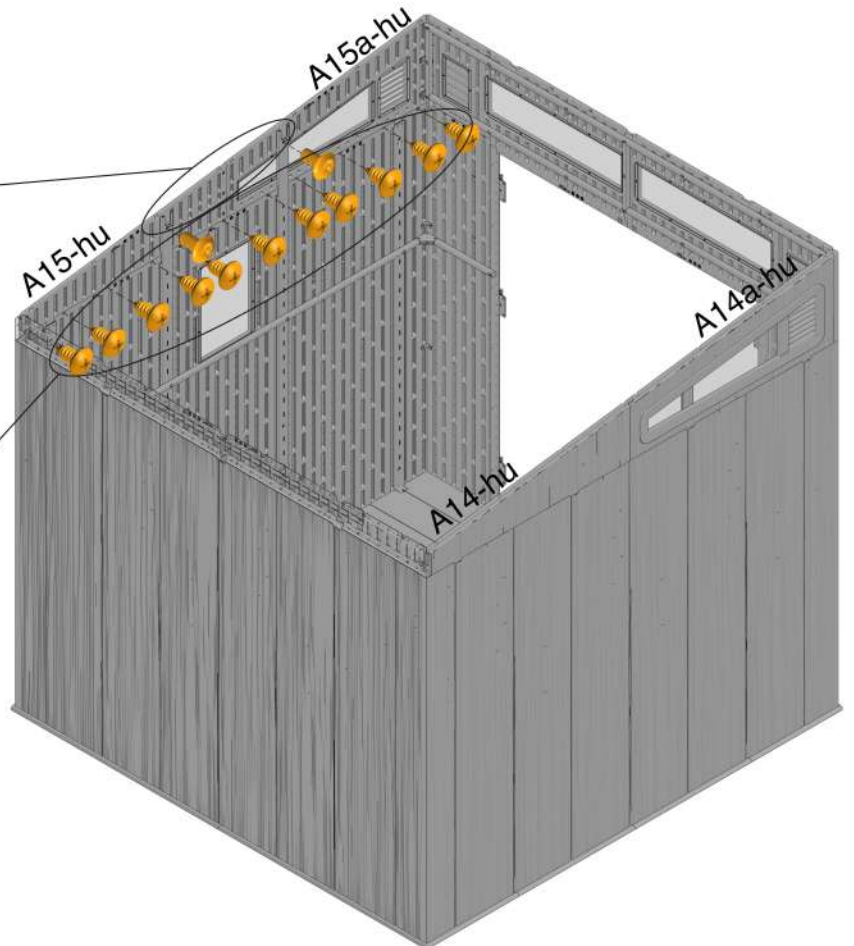
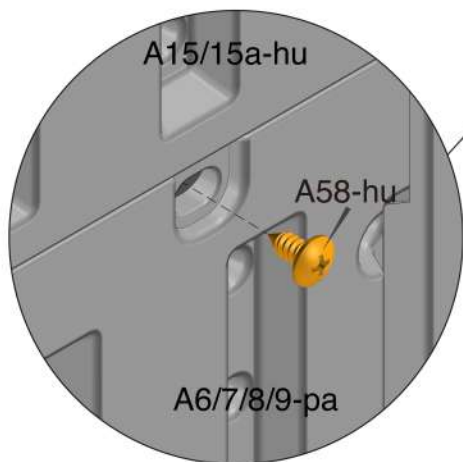
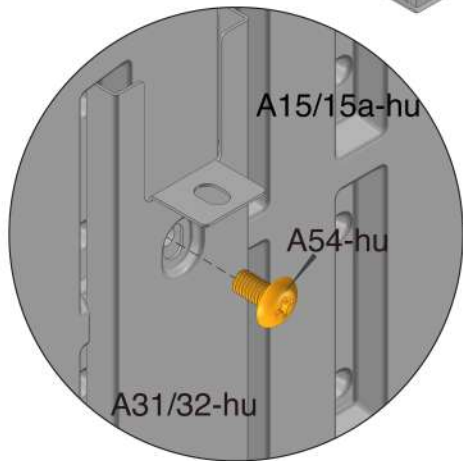
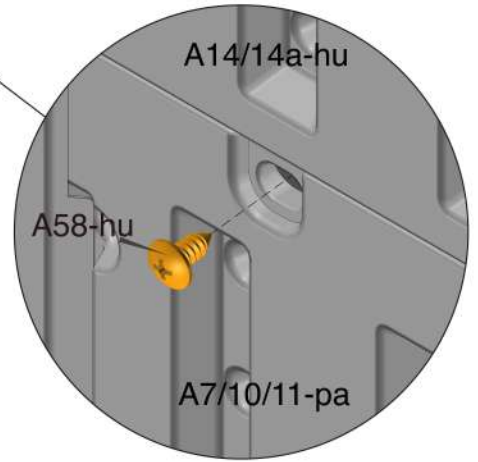
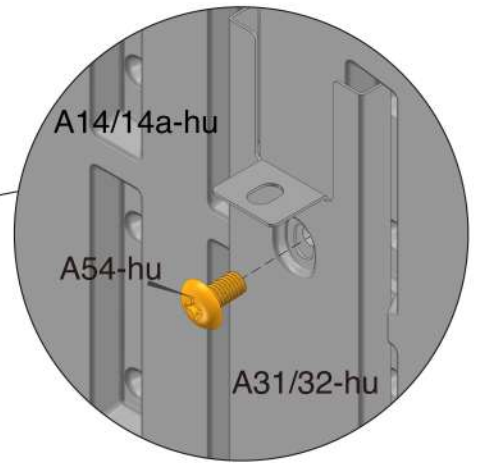
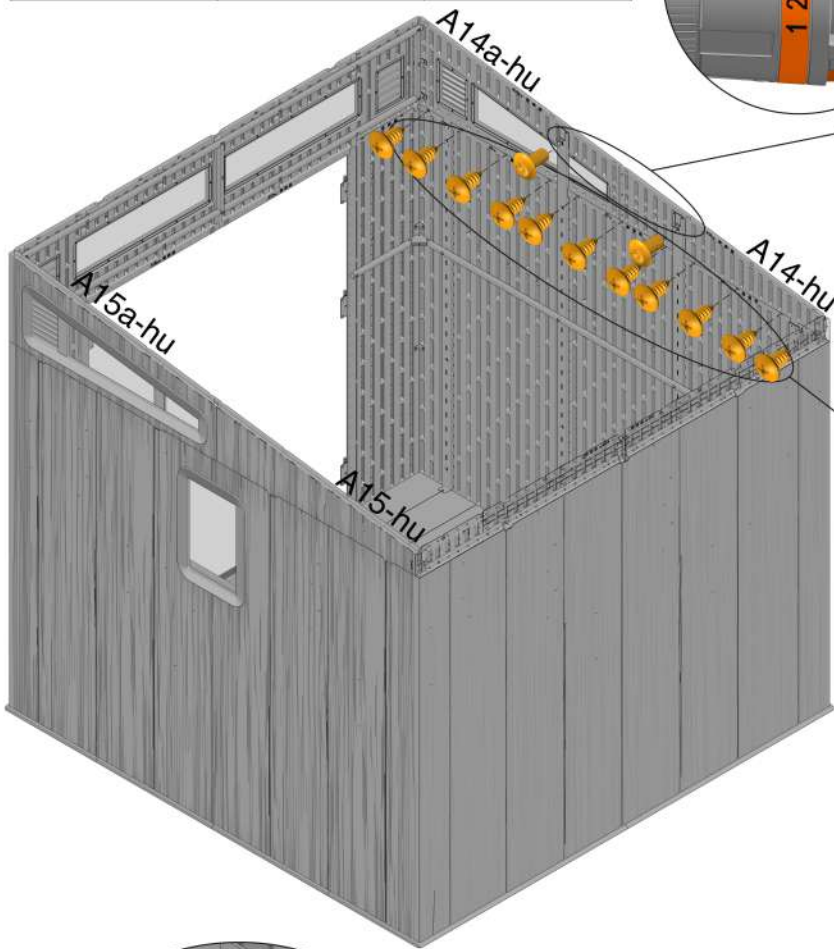
23



A54-hu x4



A58-hu x22



24



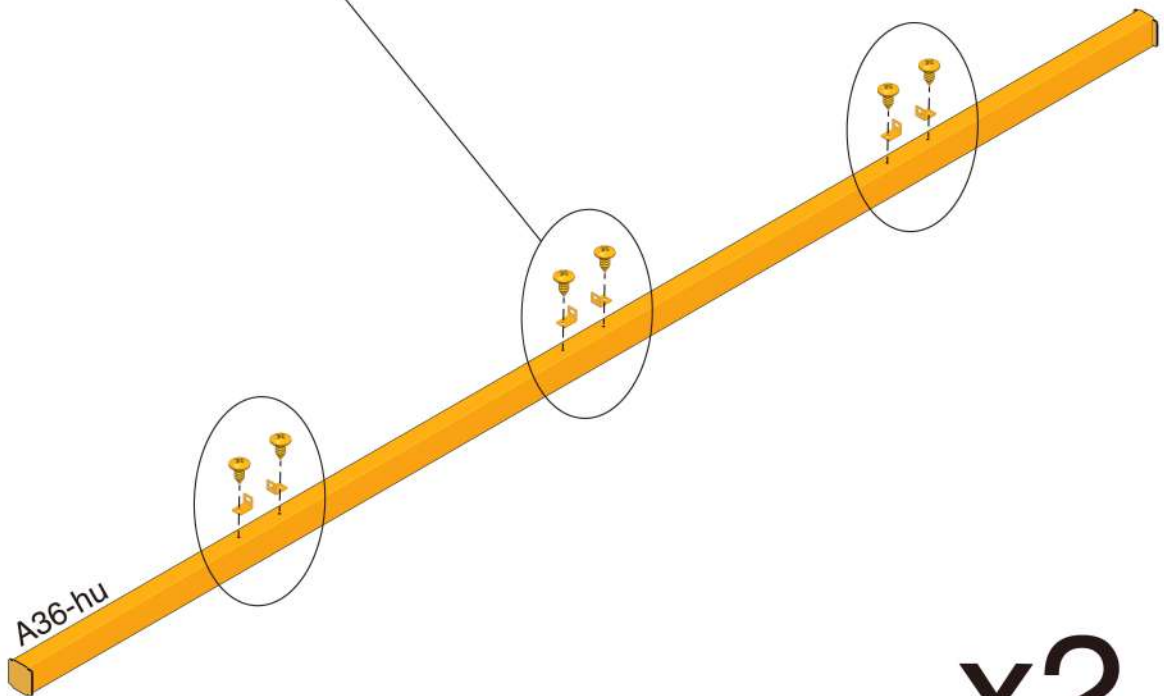
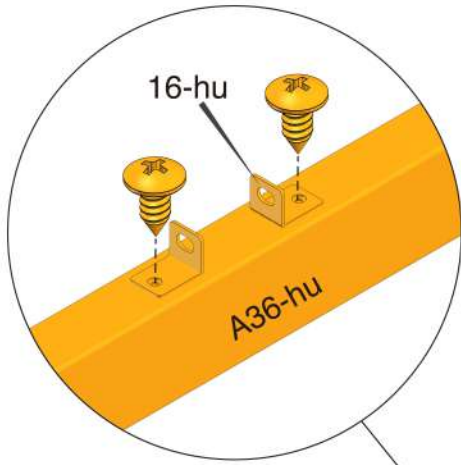
A36-hu x2



16-hu x12



A51-hu x12



x2

25



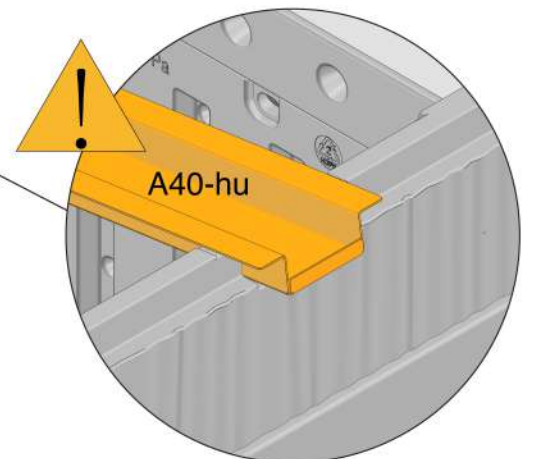
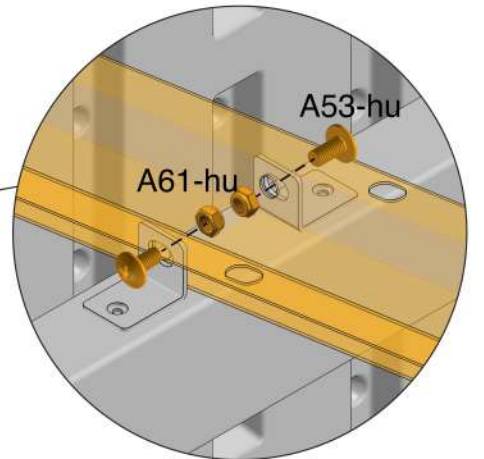
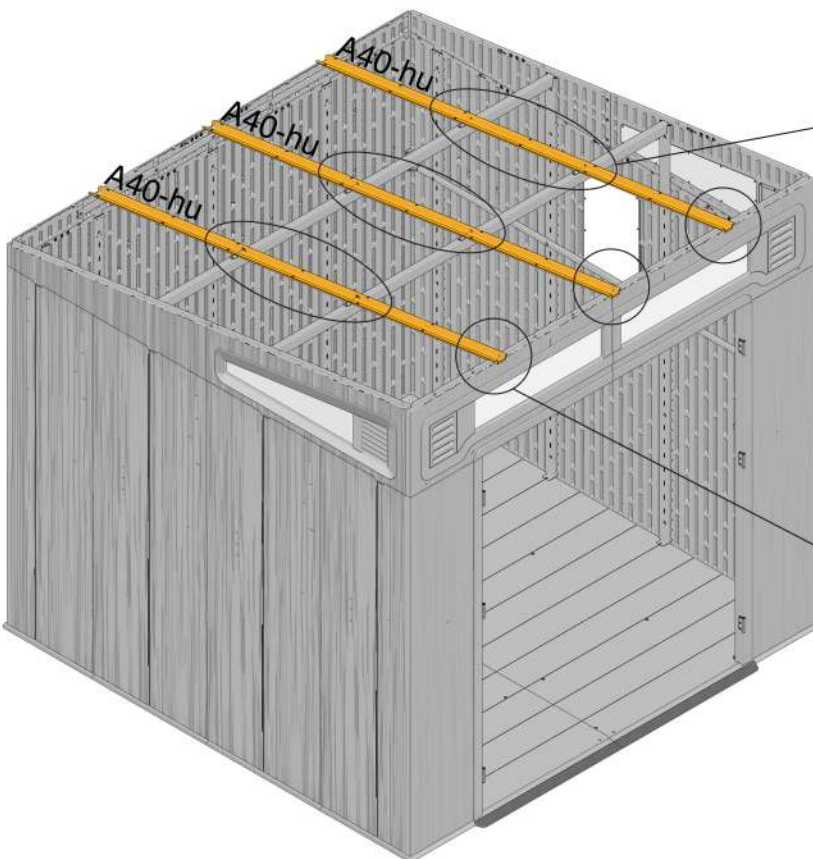
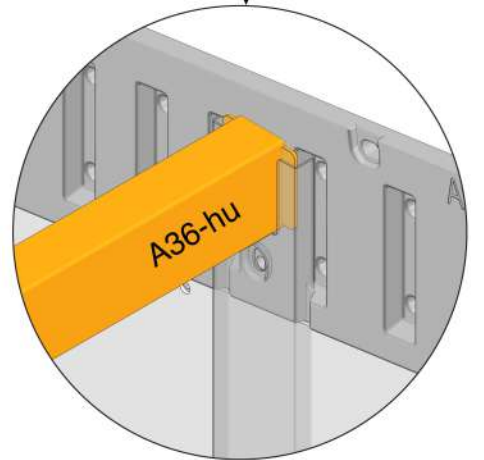
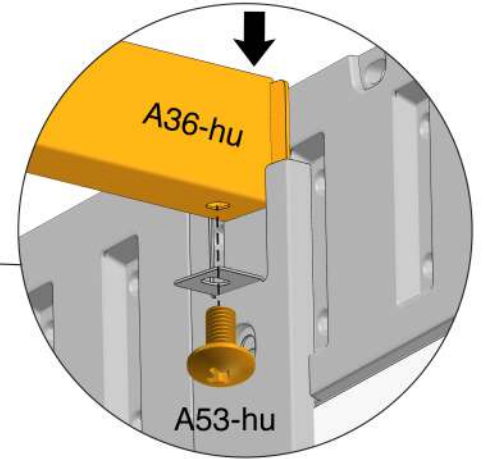
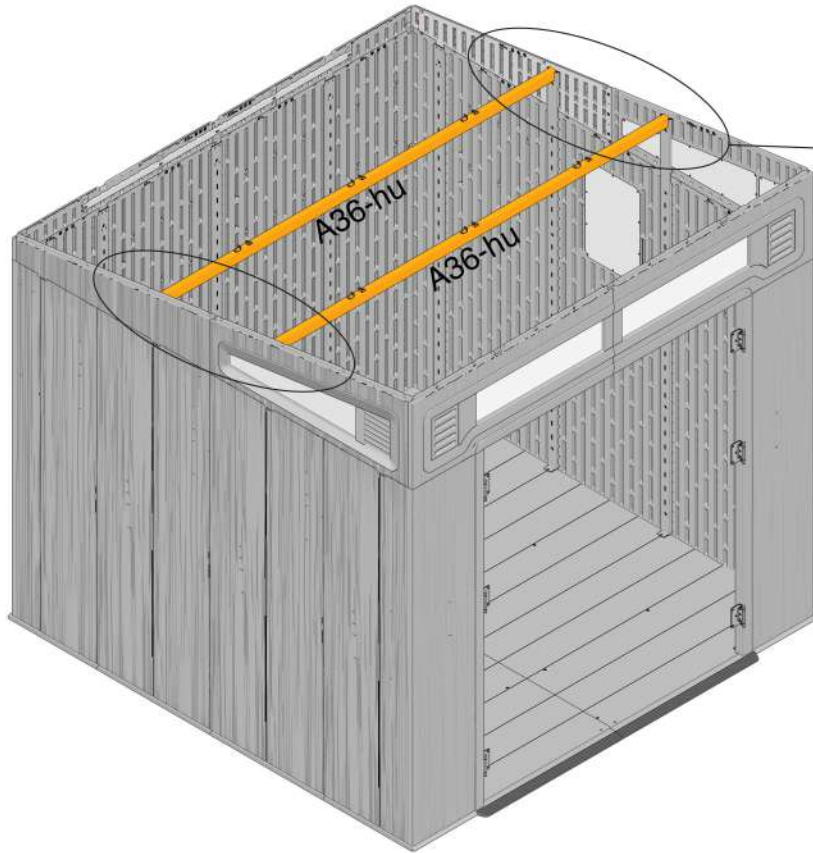
A40-hu x3



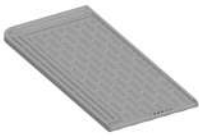
A53-hu x16



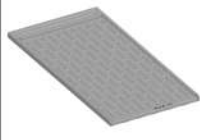
A61-hu x12



26



A17-hu x1



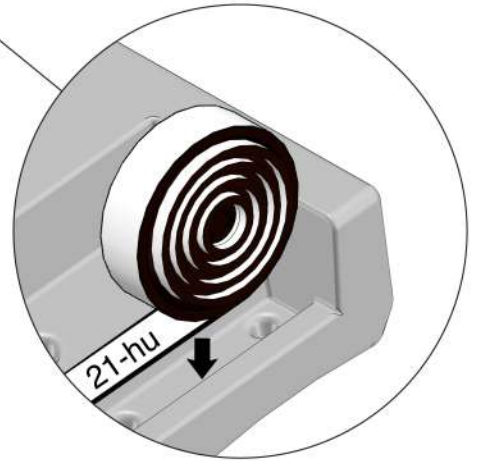
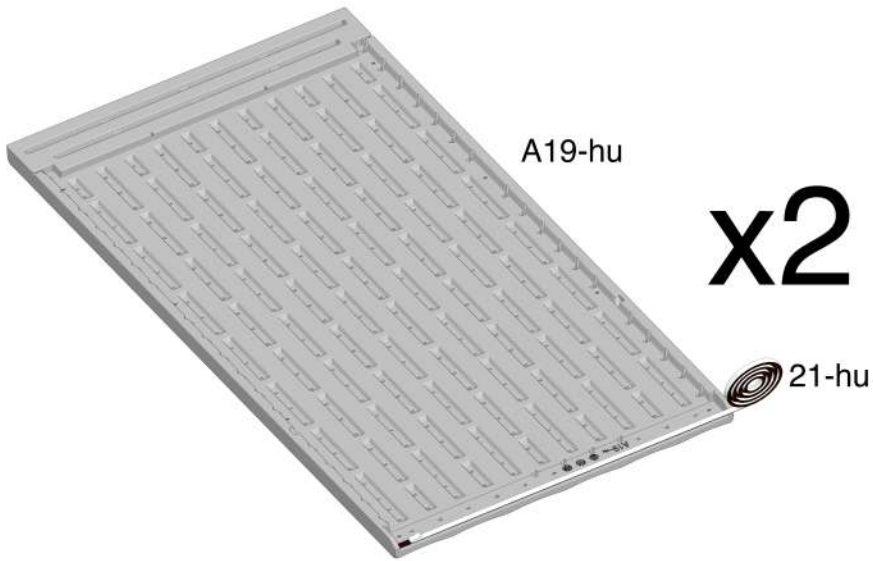
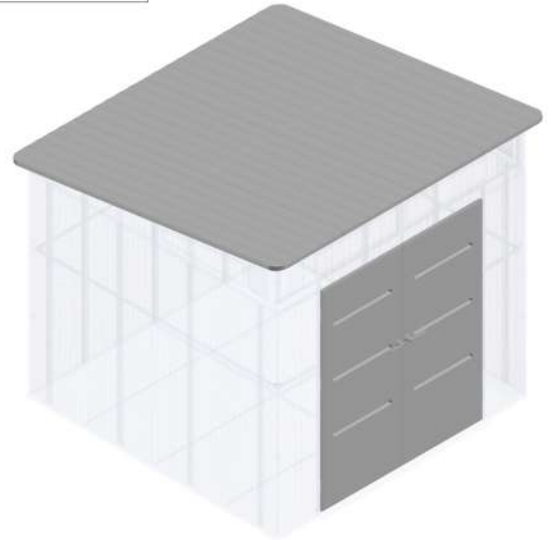
A19-hu x2



A21-hu x1



21-hu



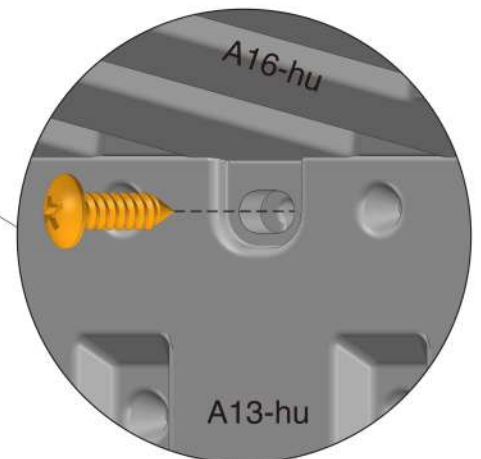
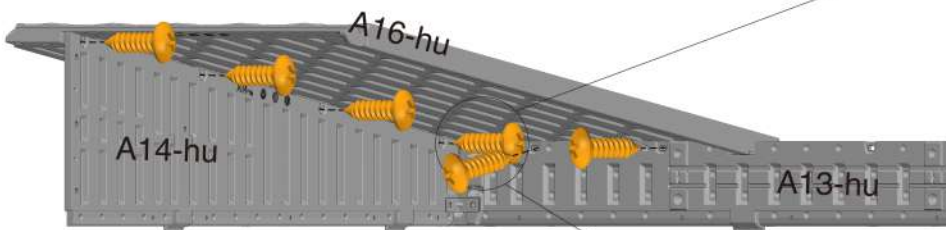
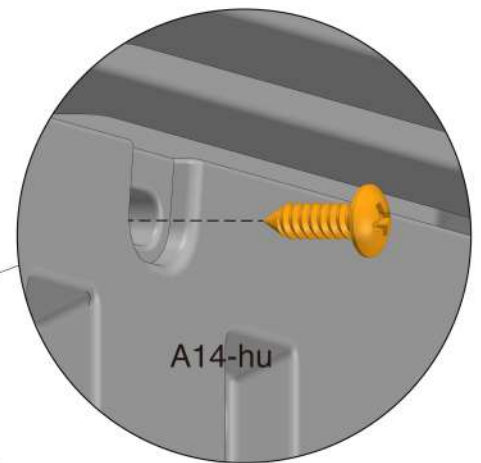
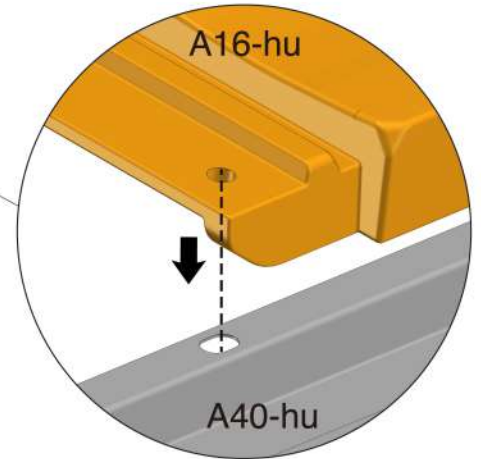
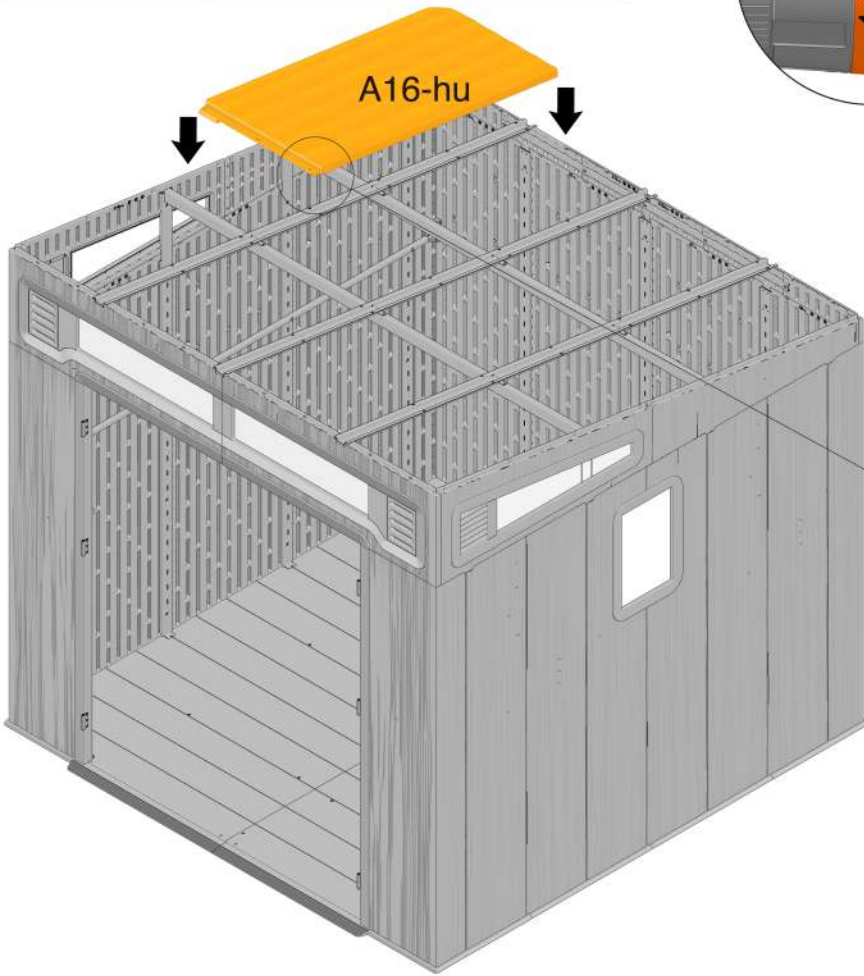
27



A16-hu x1



A59-hu x6



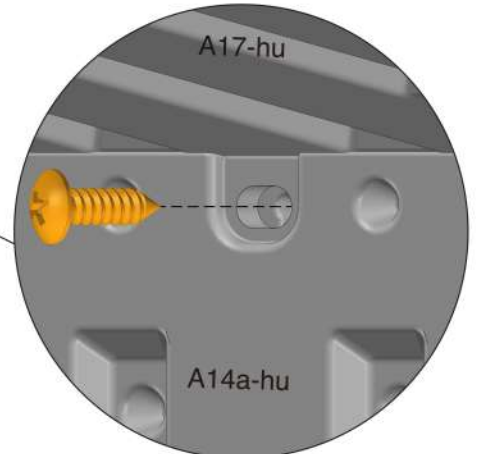
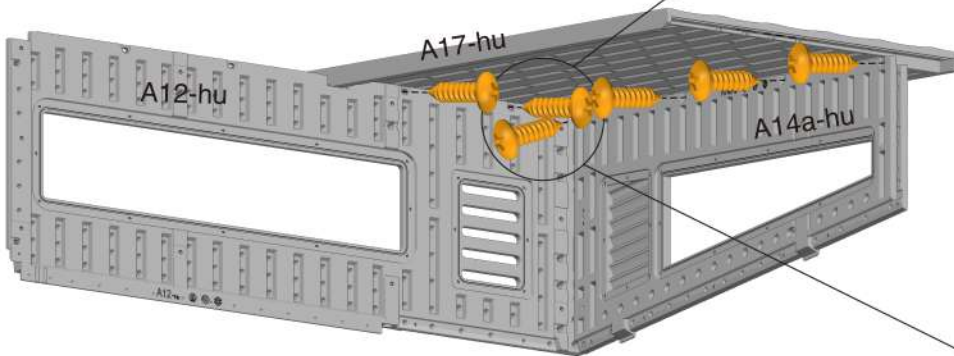
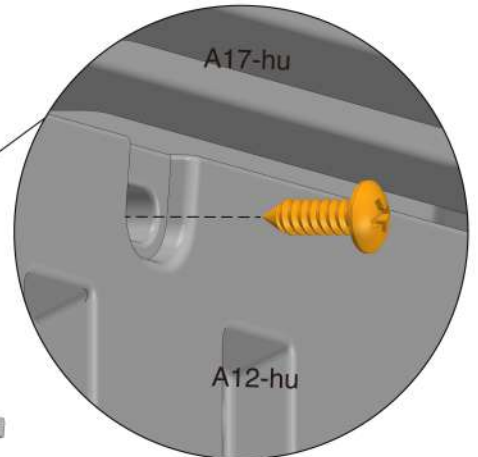
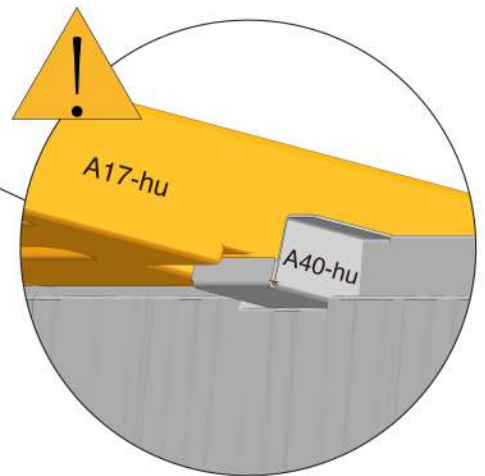
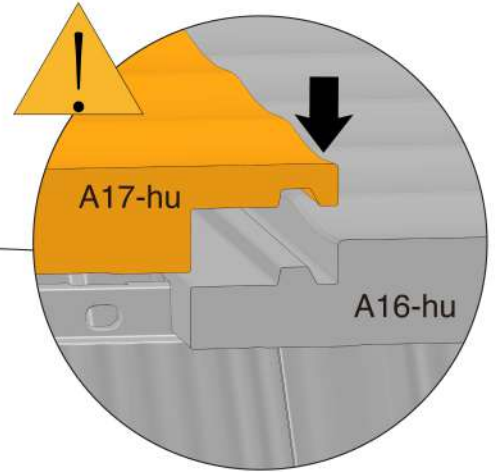
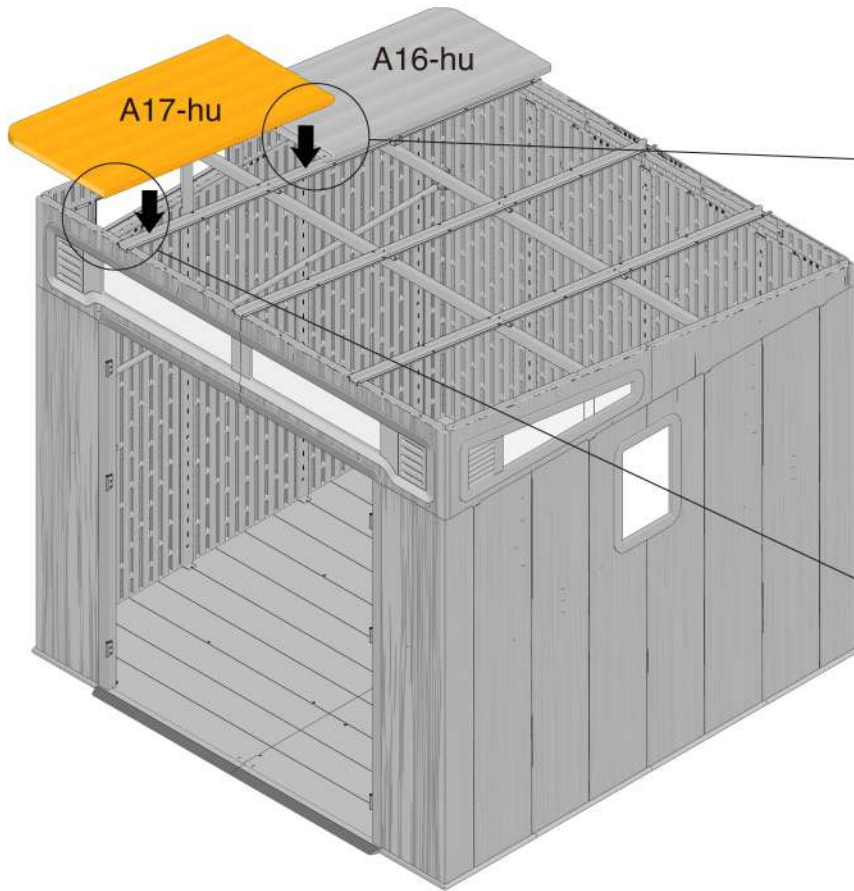
28



A17-hu x1



A59-hu x6



29



A18-hu x1



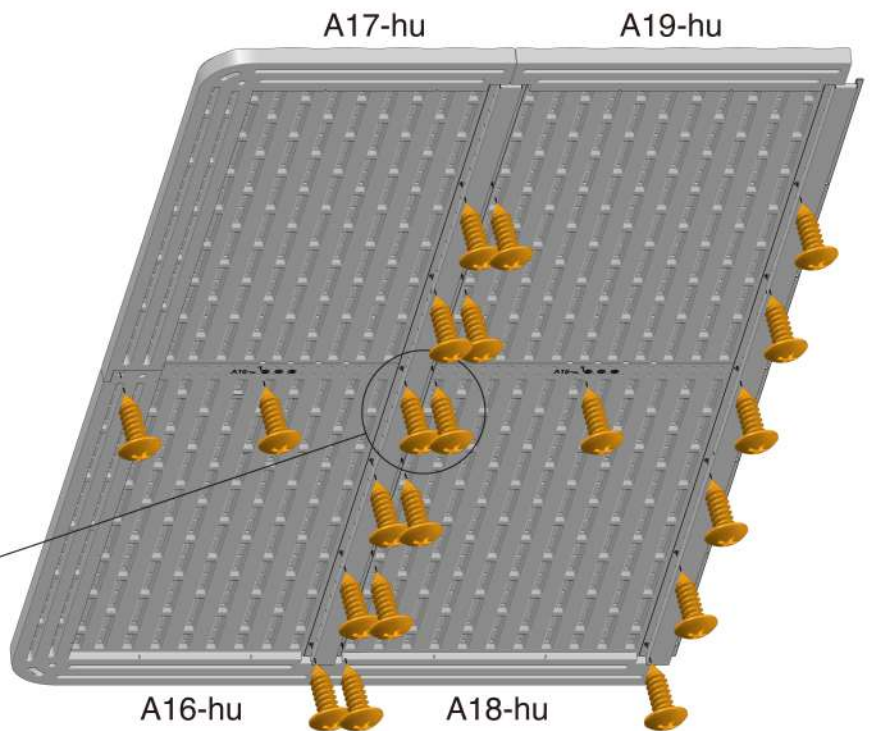
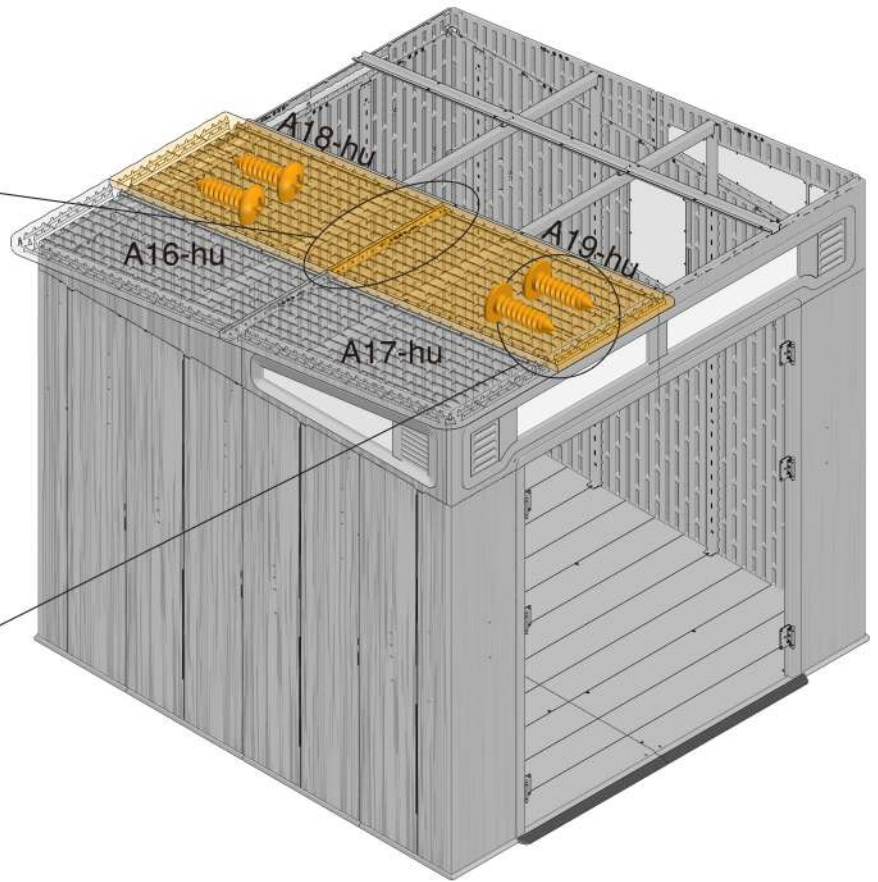
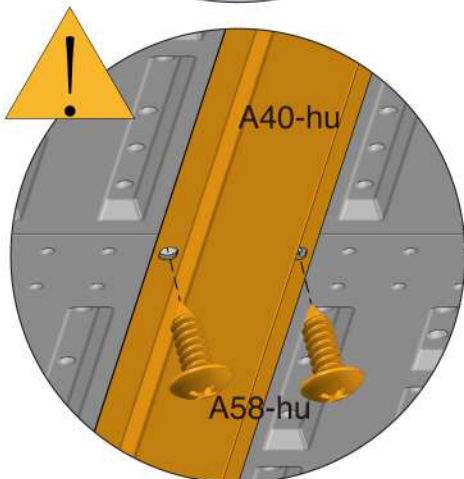
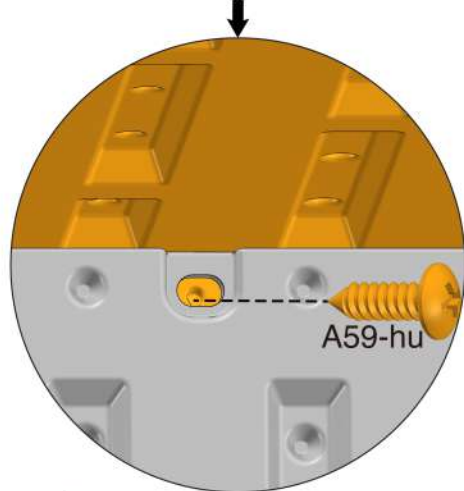
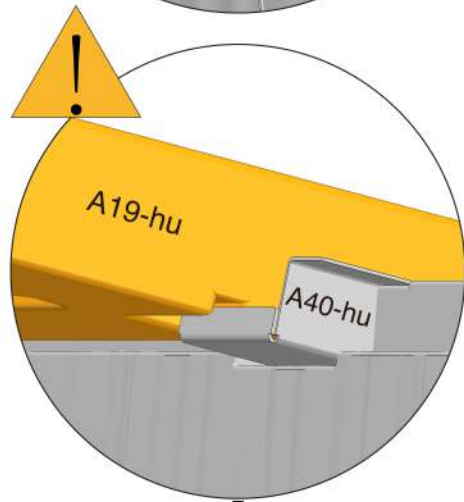
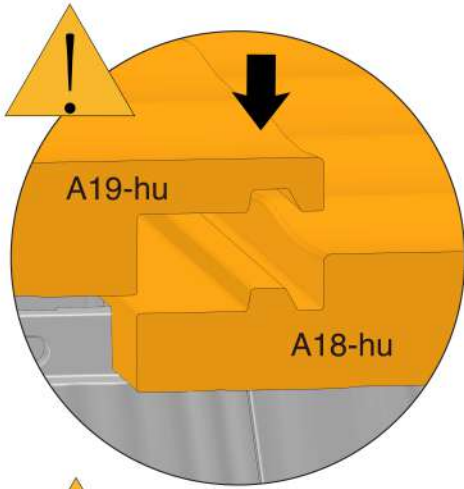
A19-hu x1



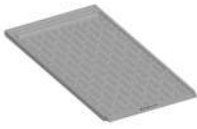
A58-hu x21



A59-hu x4



30



A18-hu x1



A19-hu x1



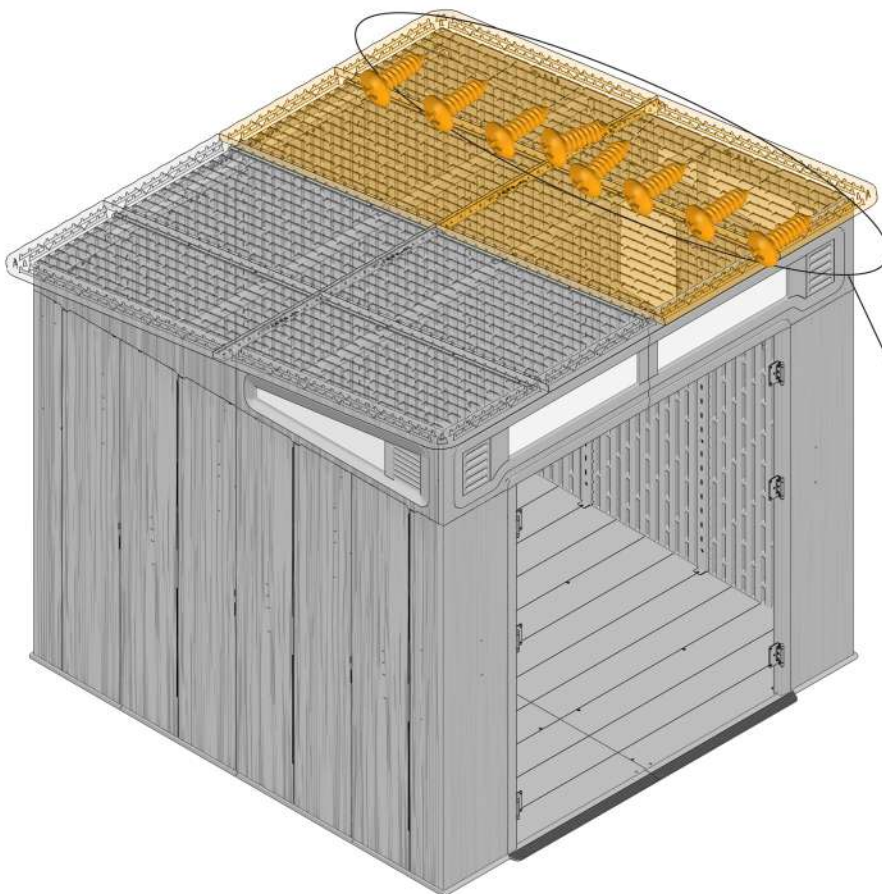
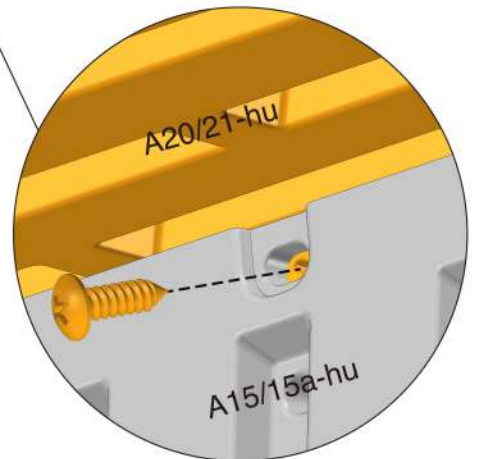
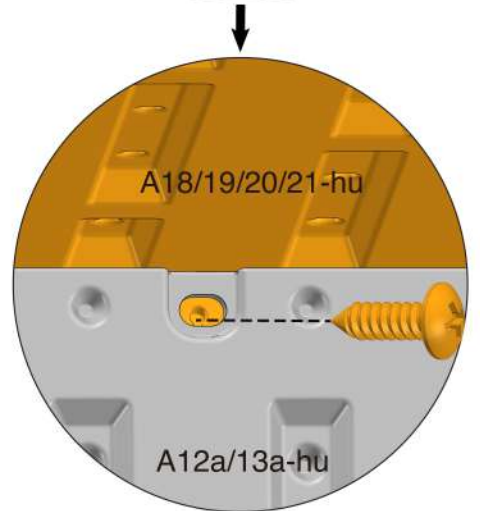
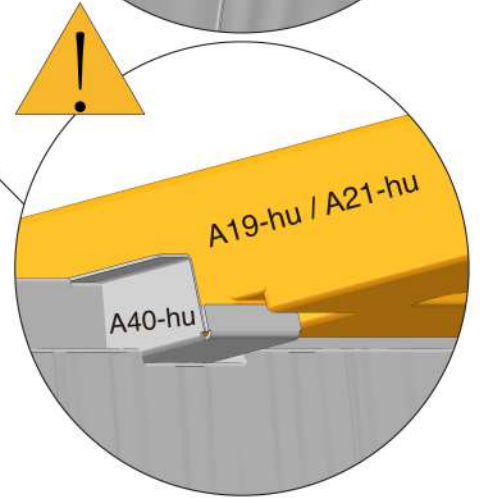
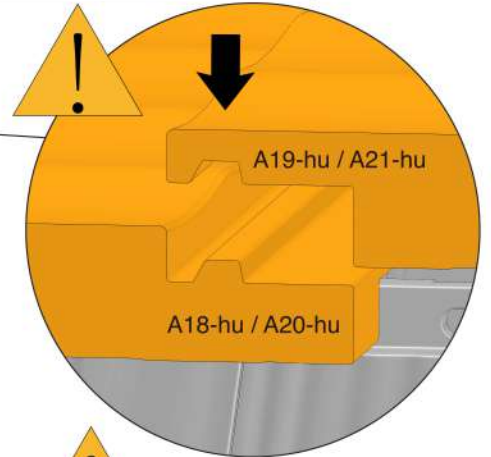
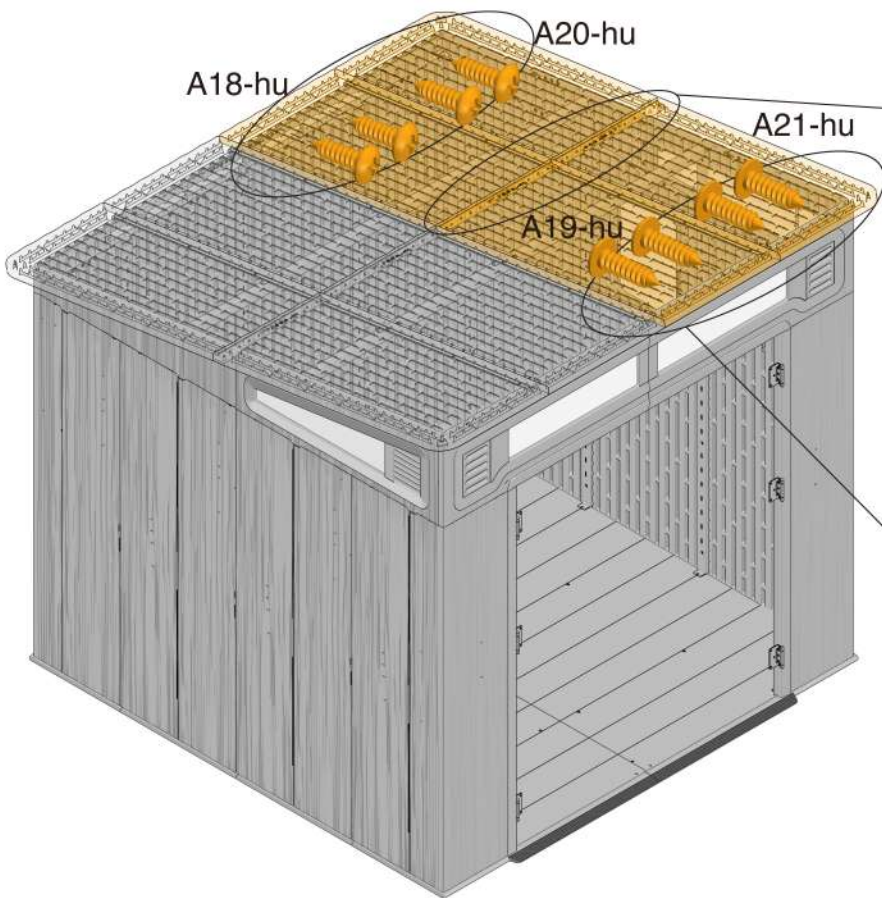
A20-hu x1



A21-hu x1



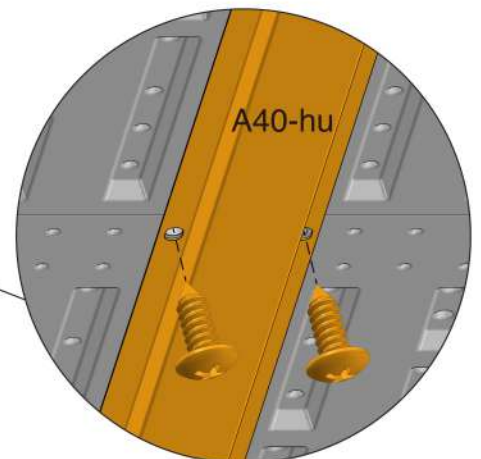
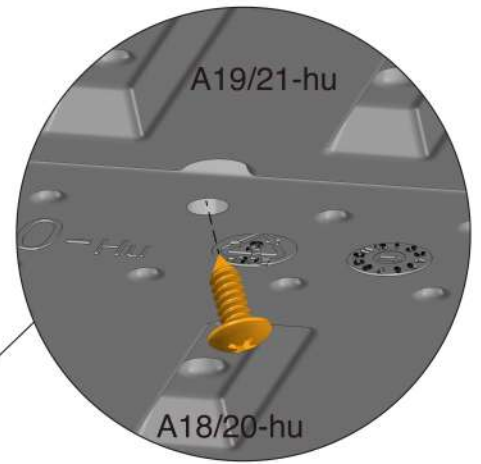
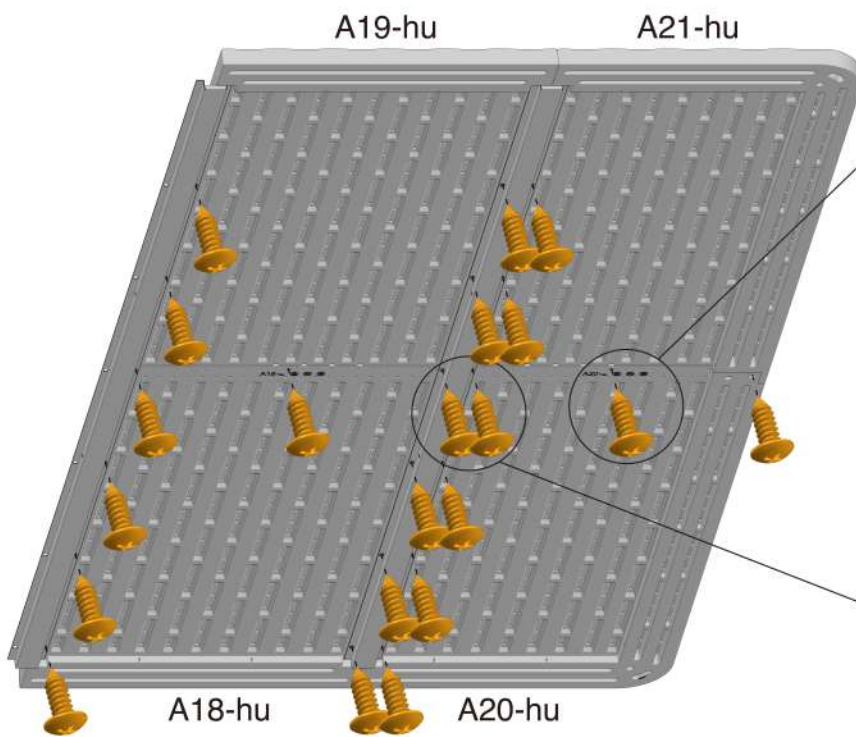
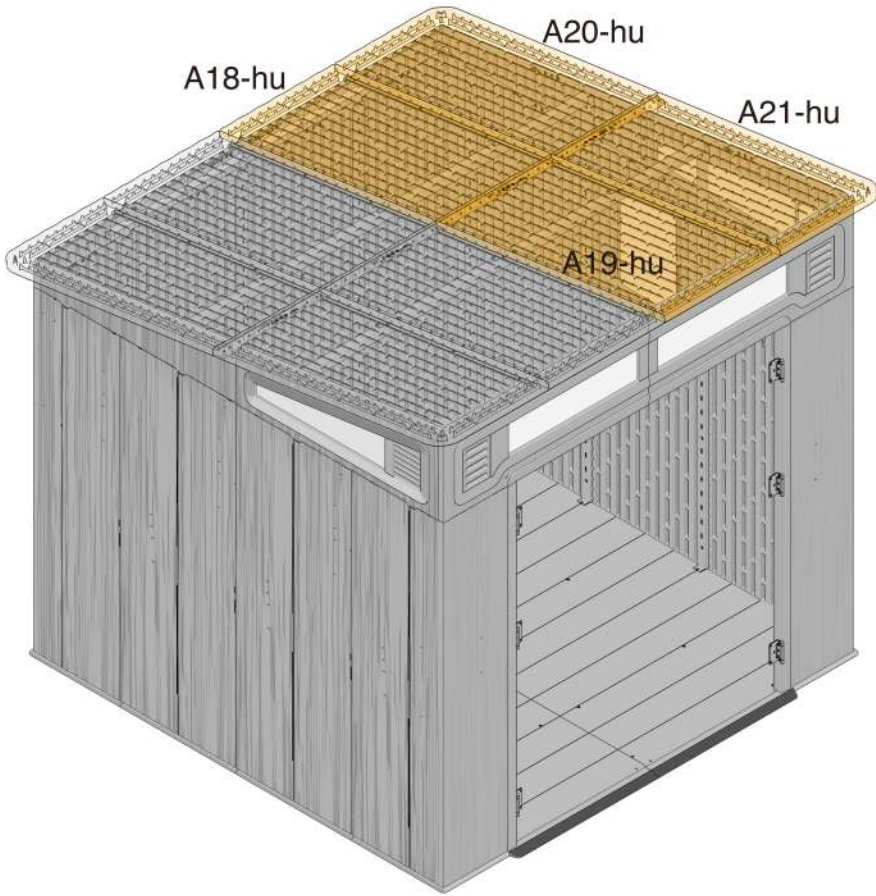
A59-hu x16



31



A58-hu x21



32



A22-pa x1



A23-pa x1



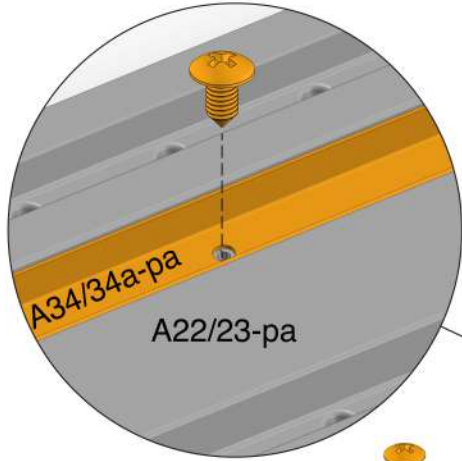
A34-pa x2



A34a-pa x2

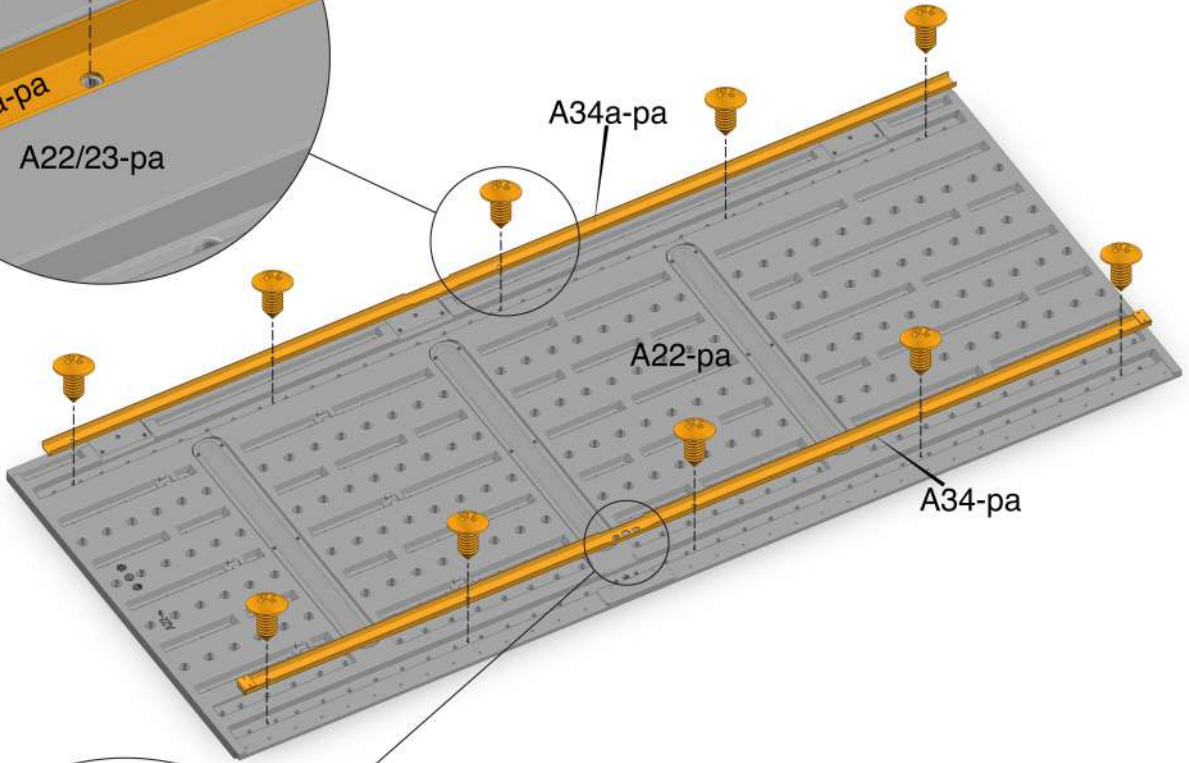


A57-hu x20



A34/34a-pa

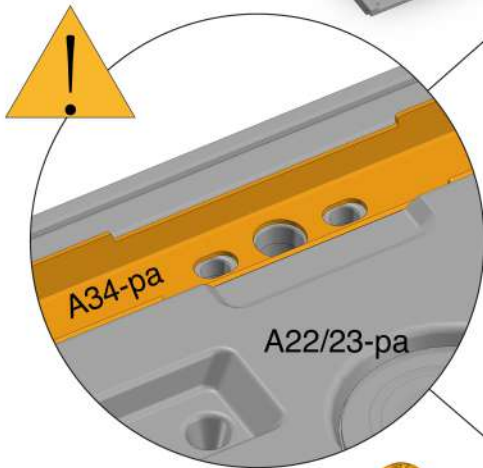
A22/23-pa



A34a-pa

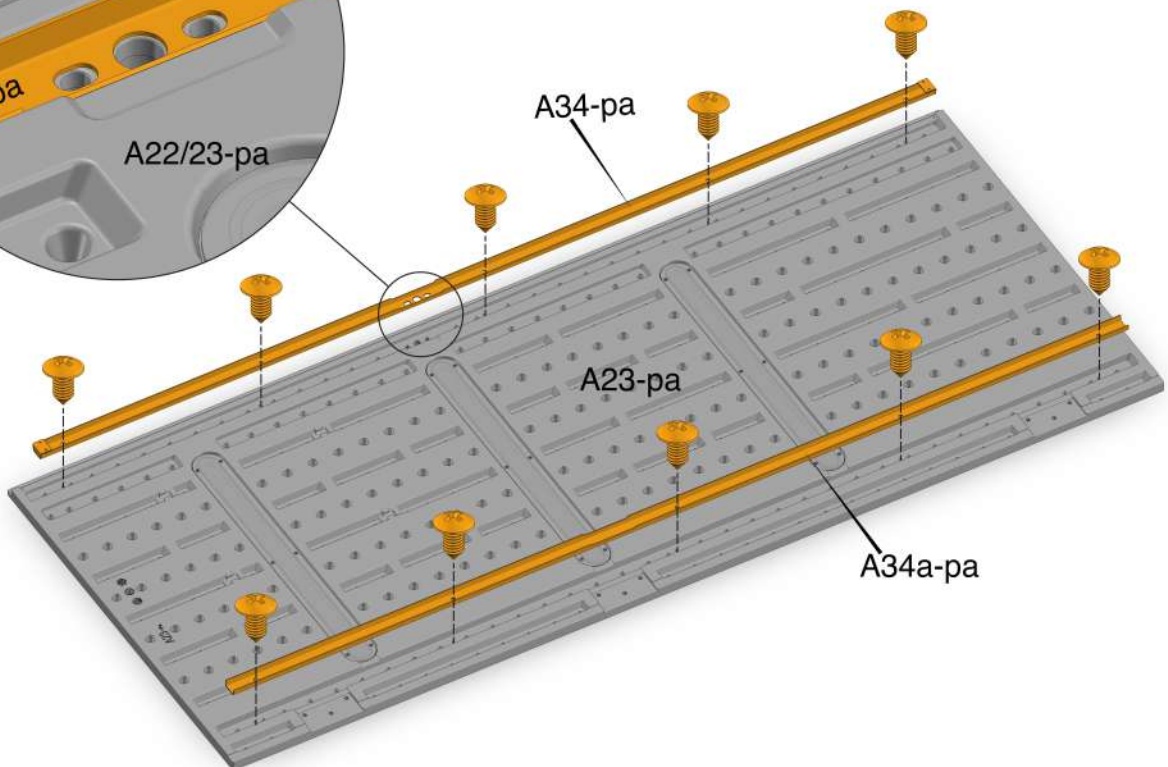
A22-pa

A34-pa



A34-pa

A22/23-pa



A34-pa

A23-pa

A34a-pa

33



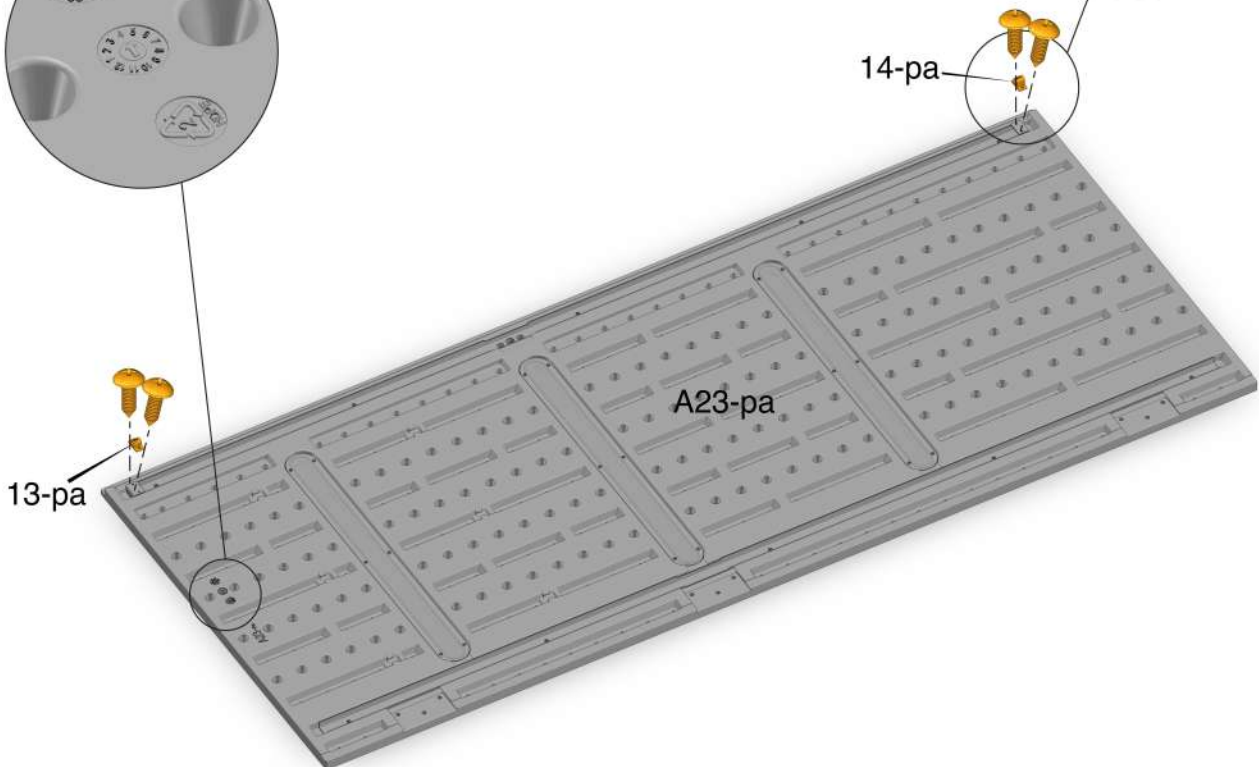
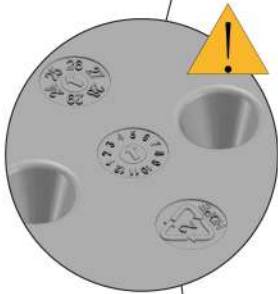
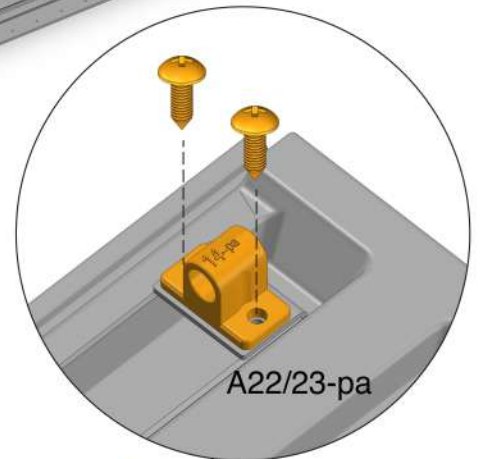
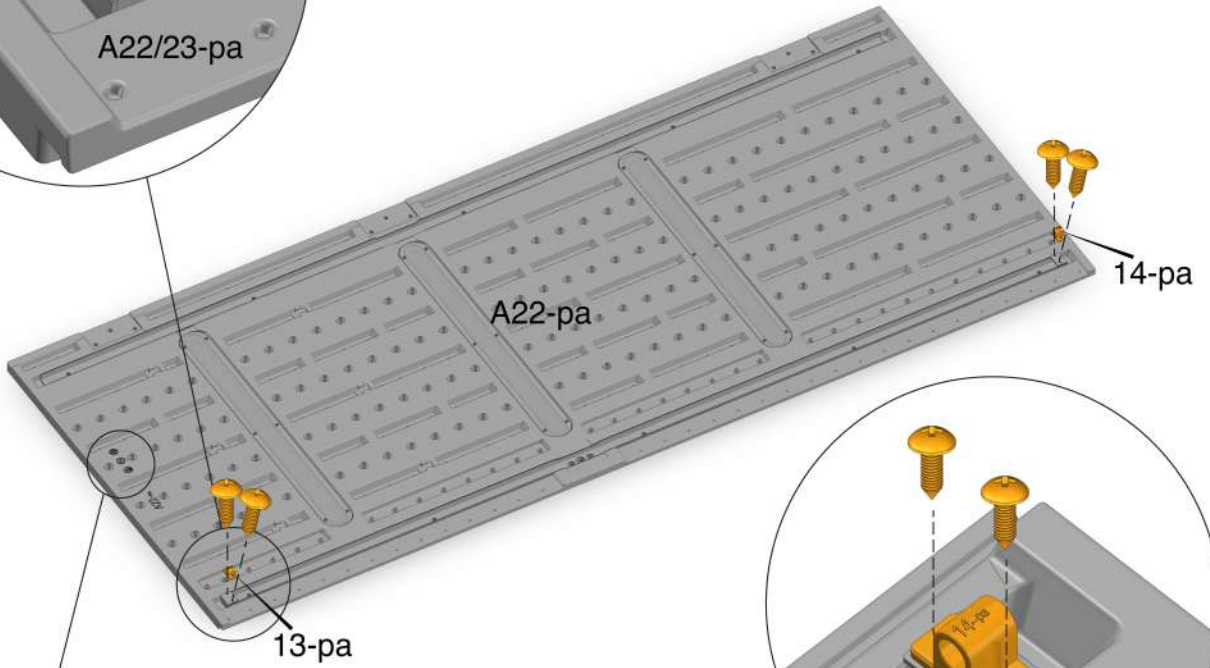
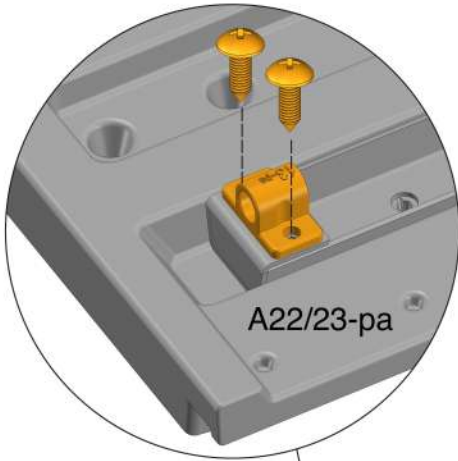
13-pa x2



14-pa x2



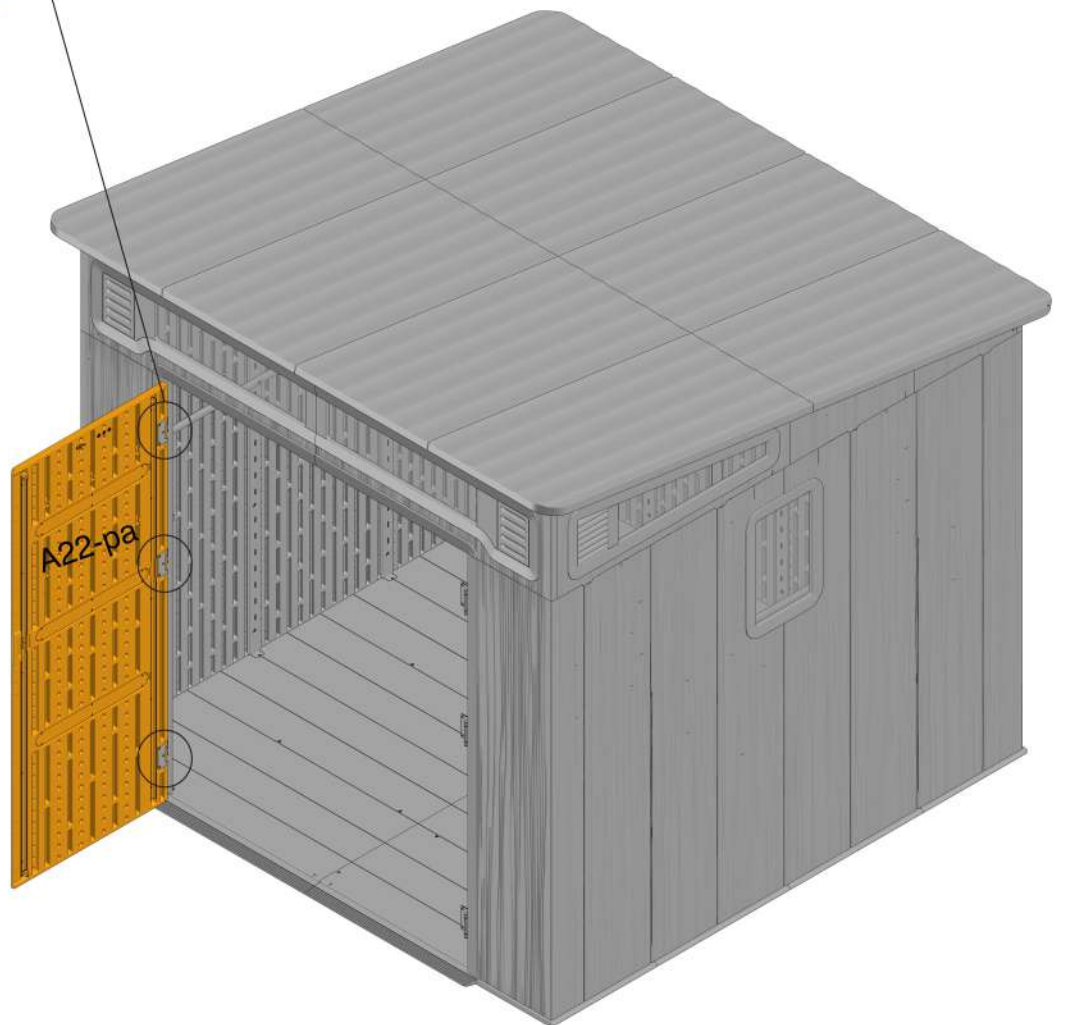
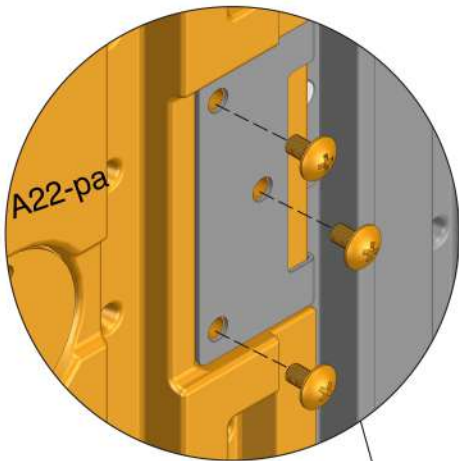
A51-hu x8



34



A53-hu x9



35



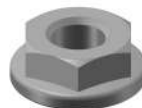
1-pa x1



1.1-pa x2



1.2-pa x2



1.3-pa x1



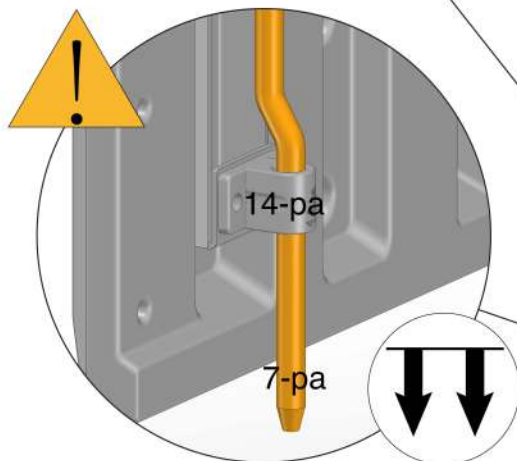
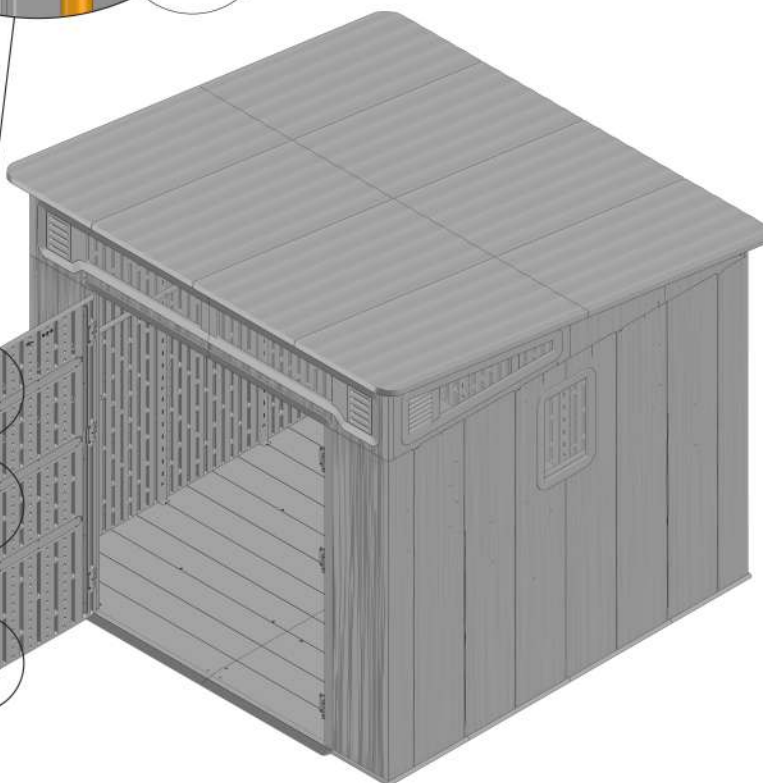
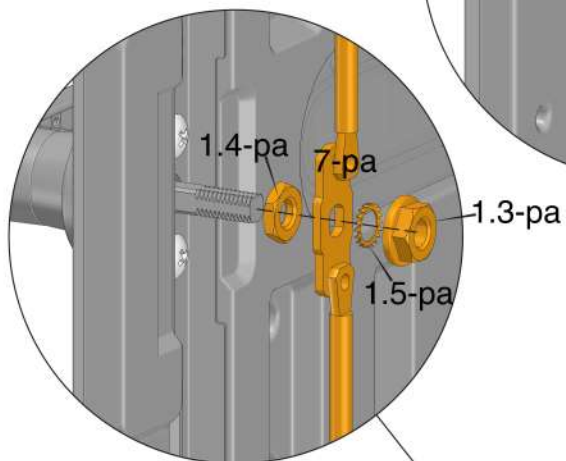
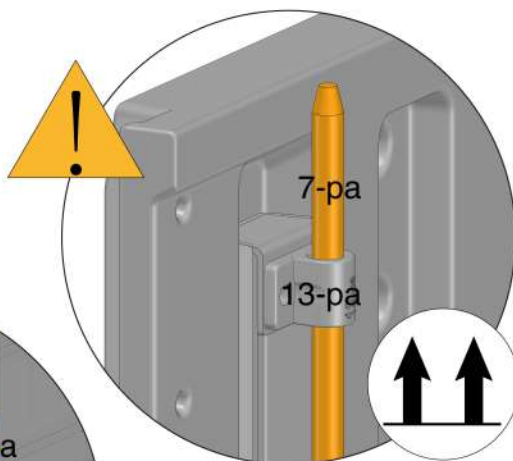
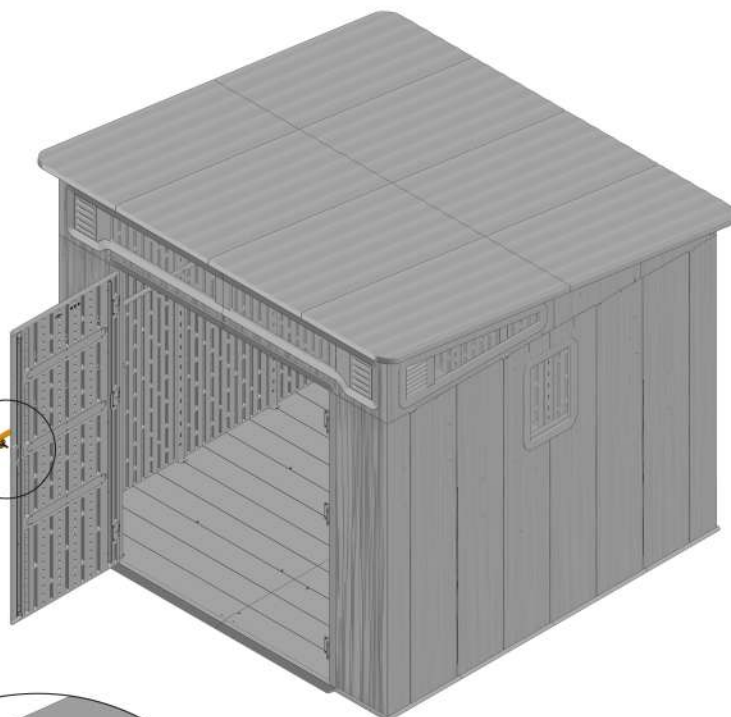
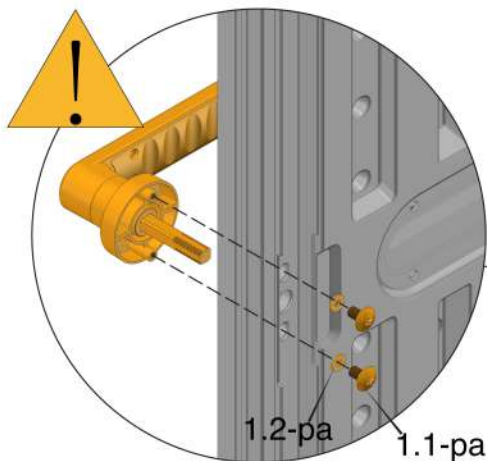
1.4-pa x1



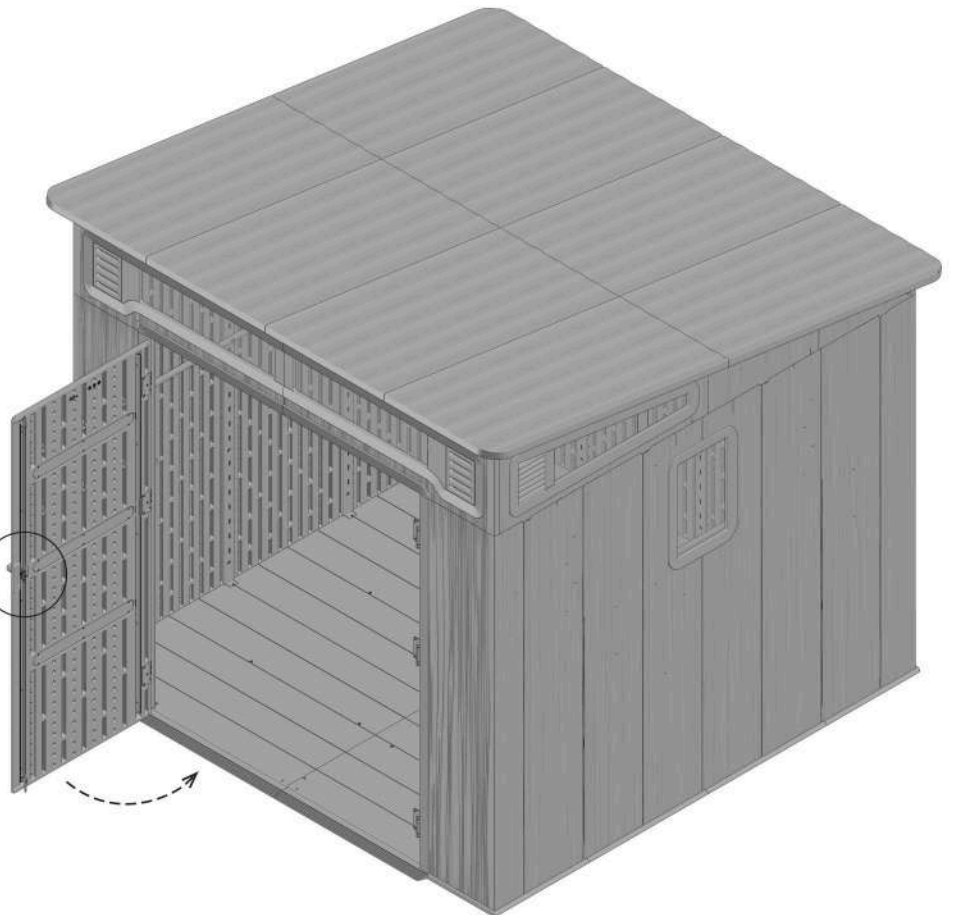
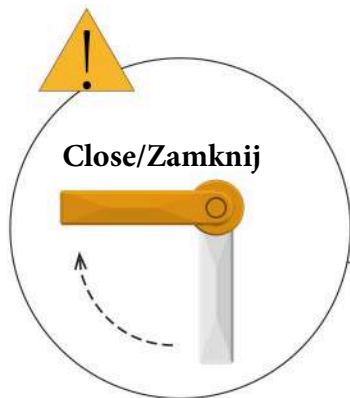
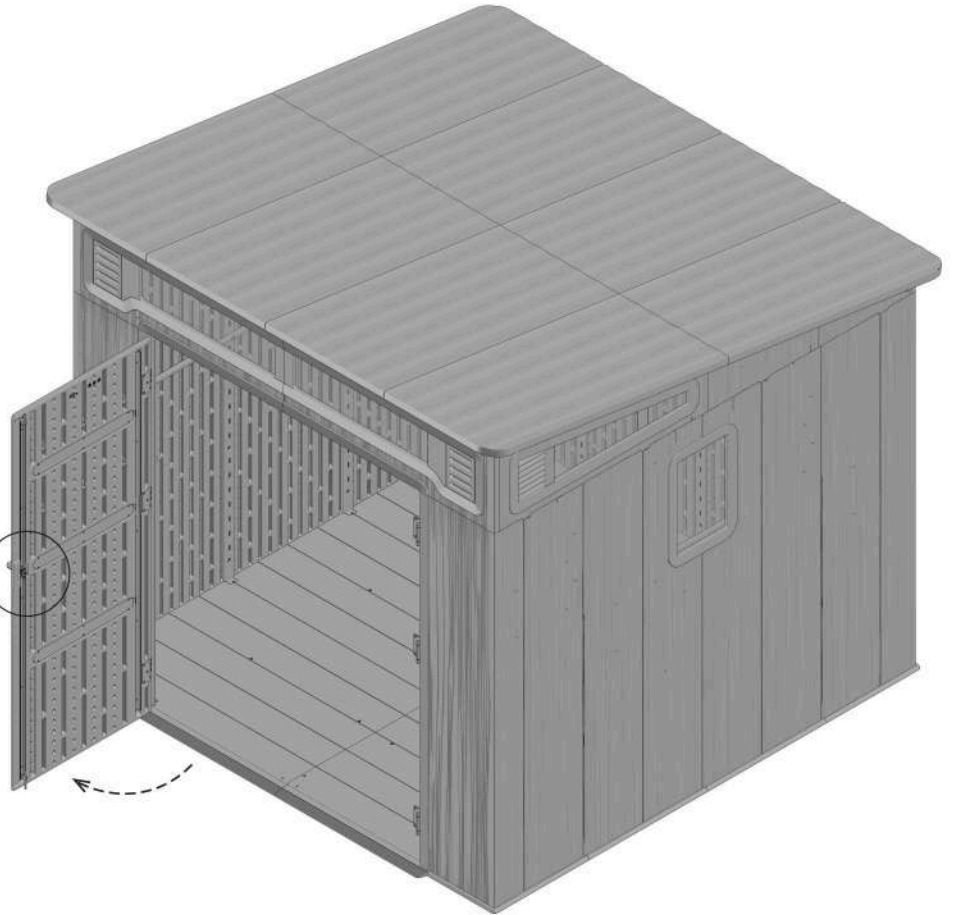
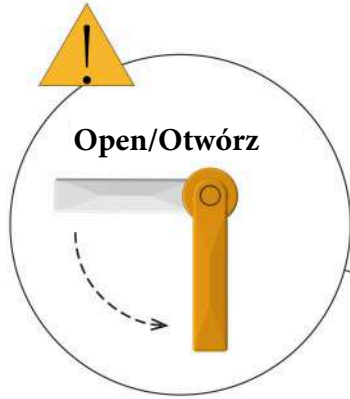
1.5-pa x1



7-pa x1



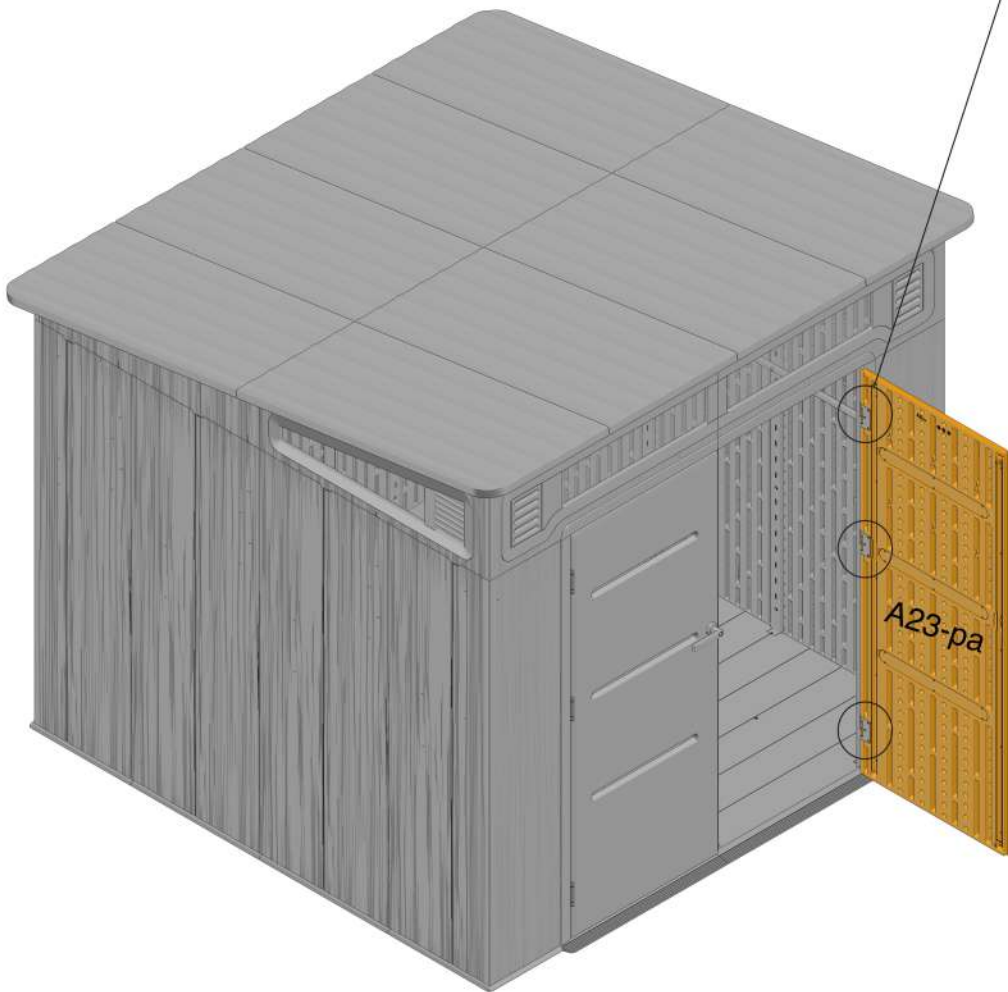
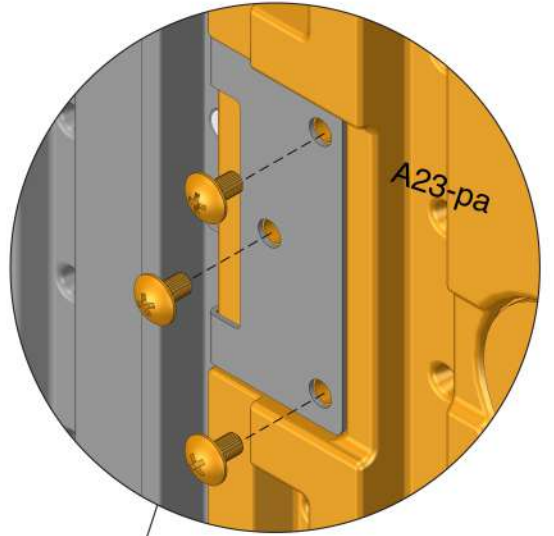
36



37



A53-hu x9



38



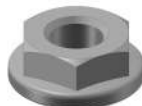
2-pa x1



1.1-pa x2



1.2-pa x2



1.3-pa x1



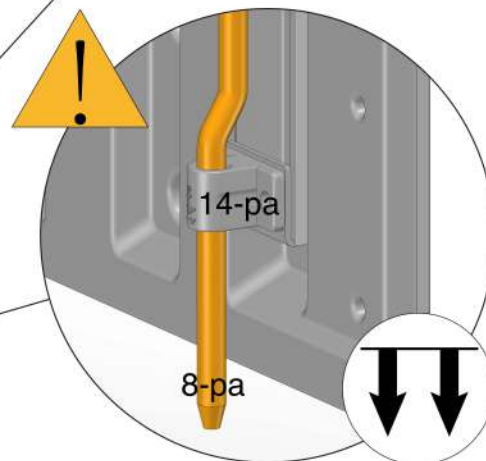
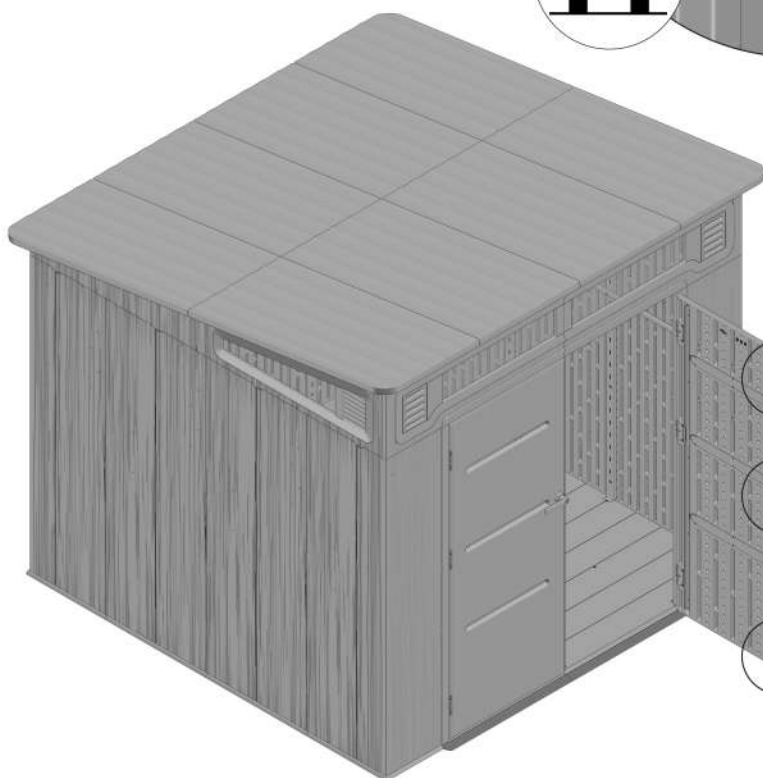
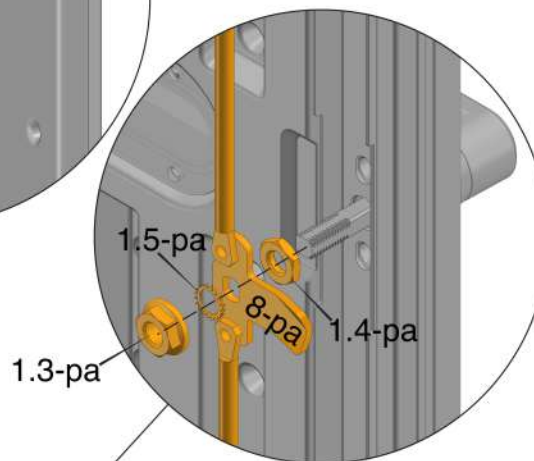
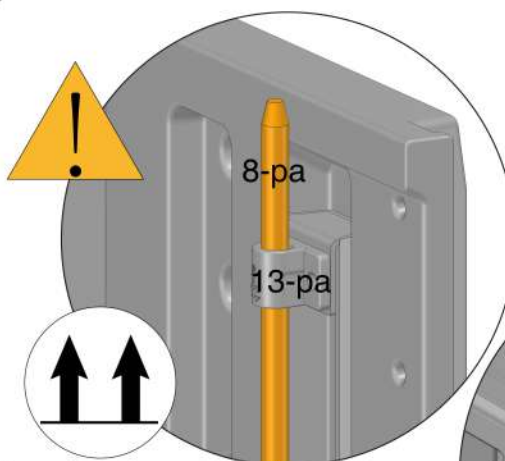
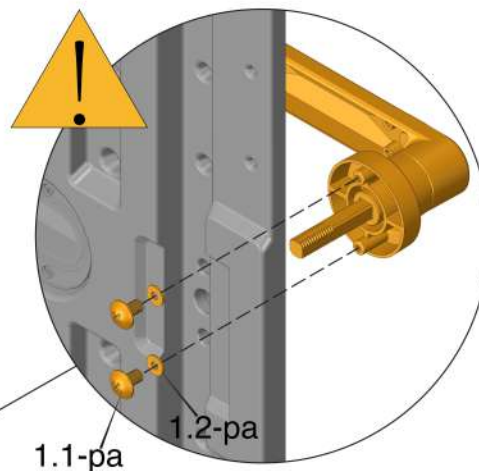
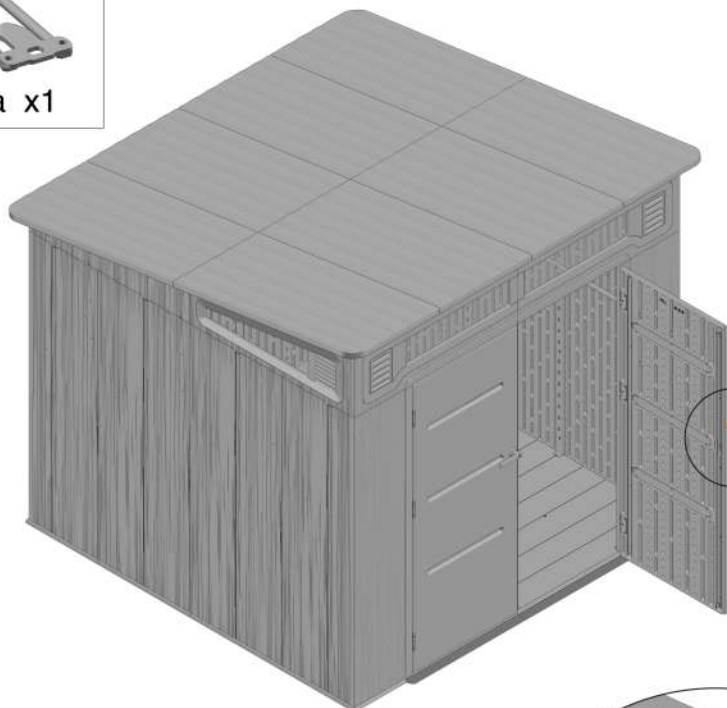
1.4-pa x1

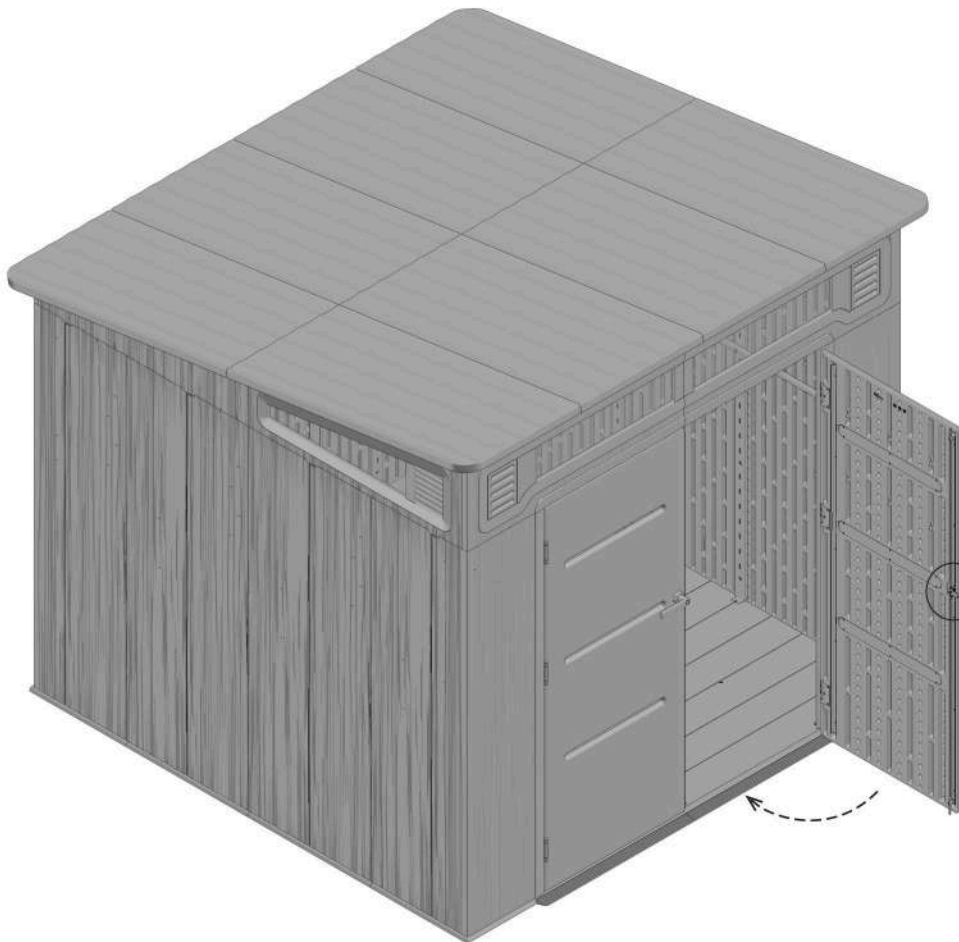
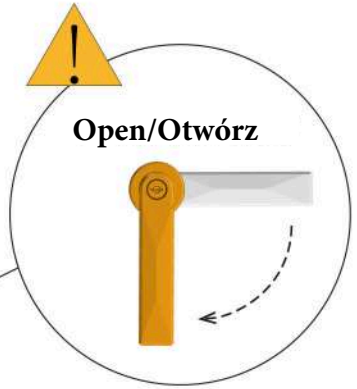
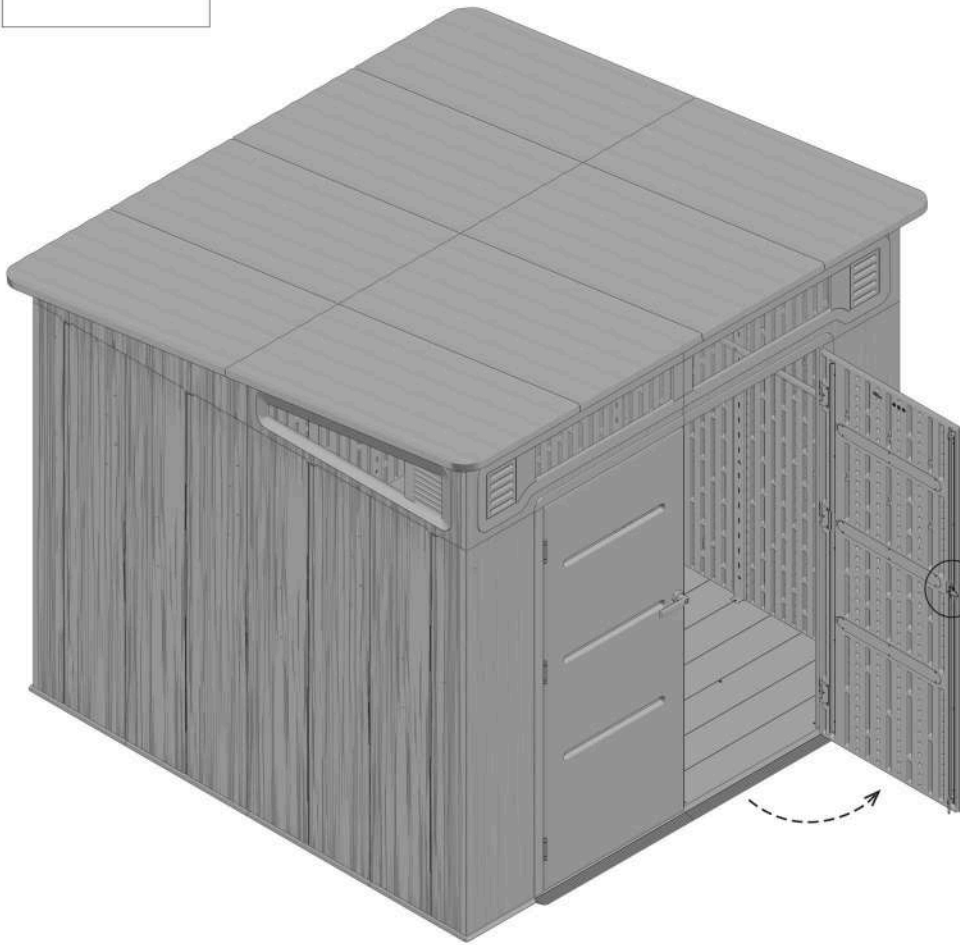


1.5-pa x1



8-pa x1

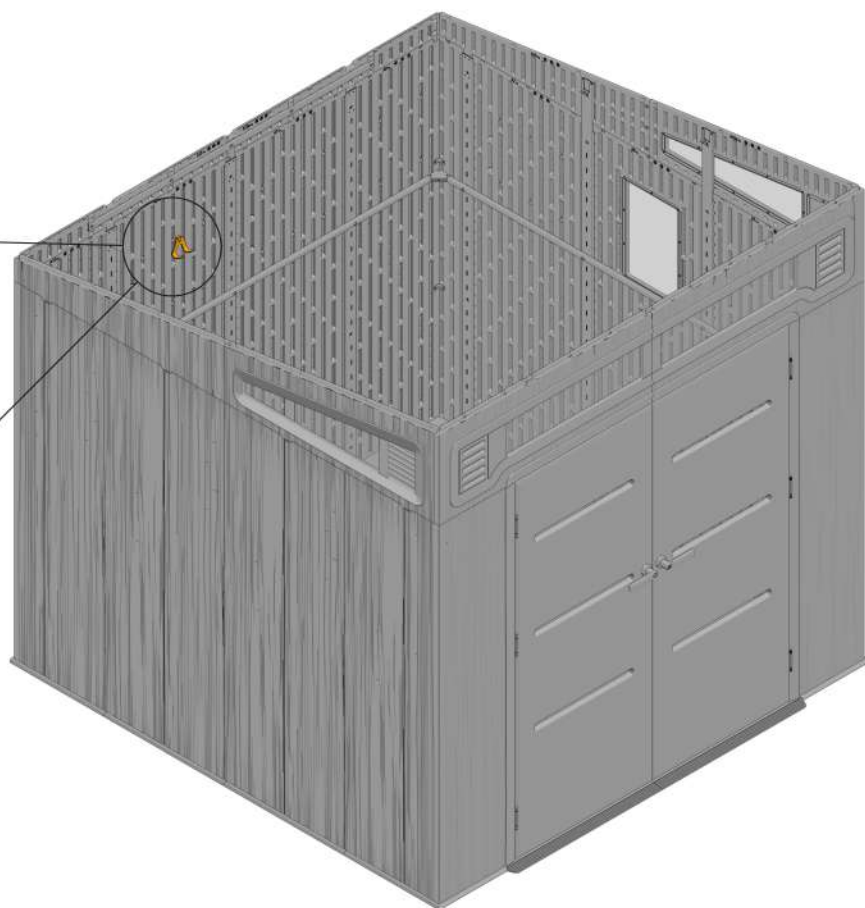
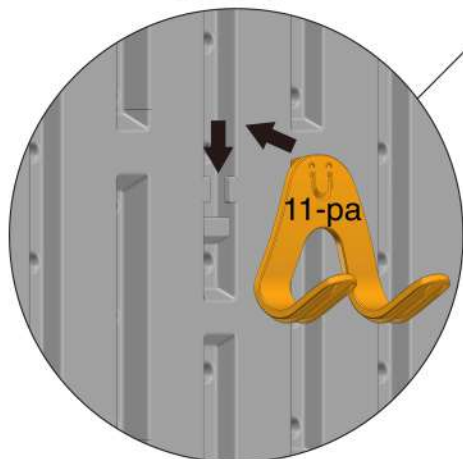
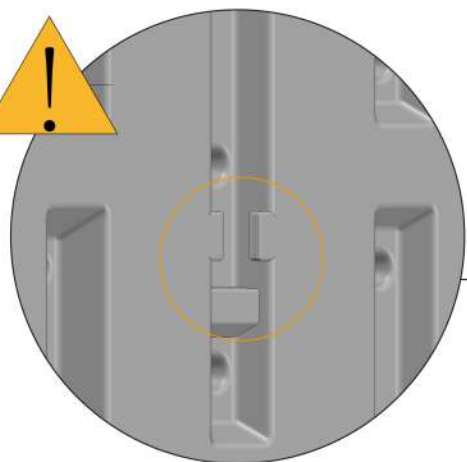




40



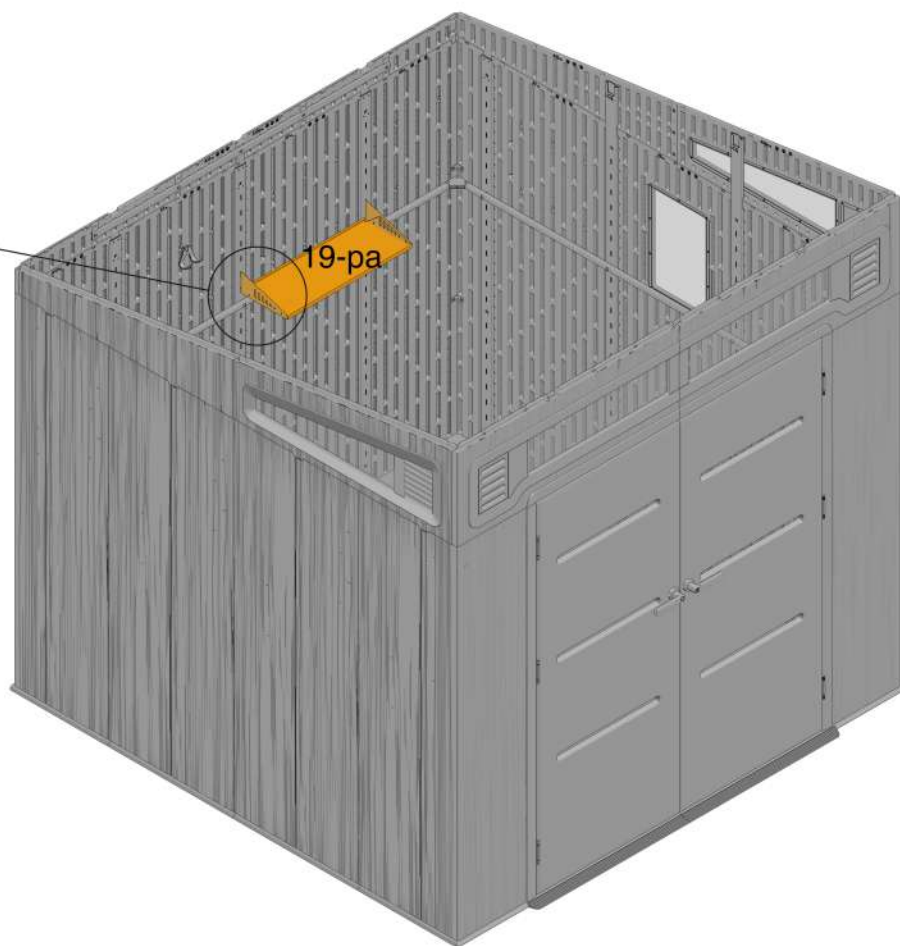
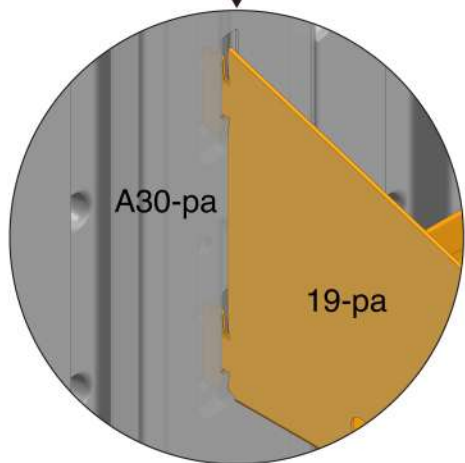
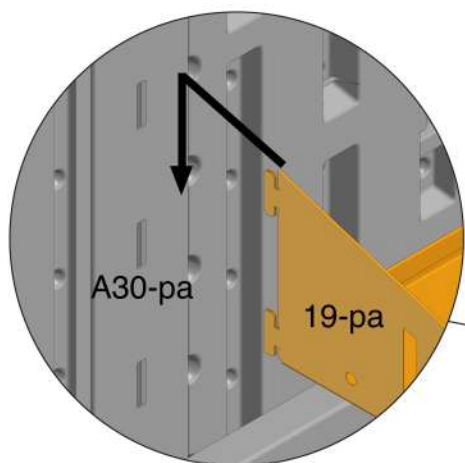
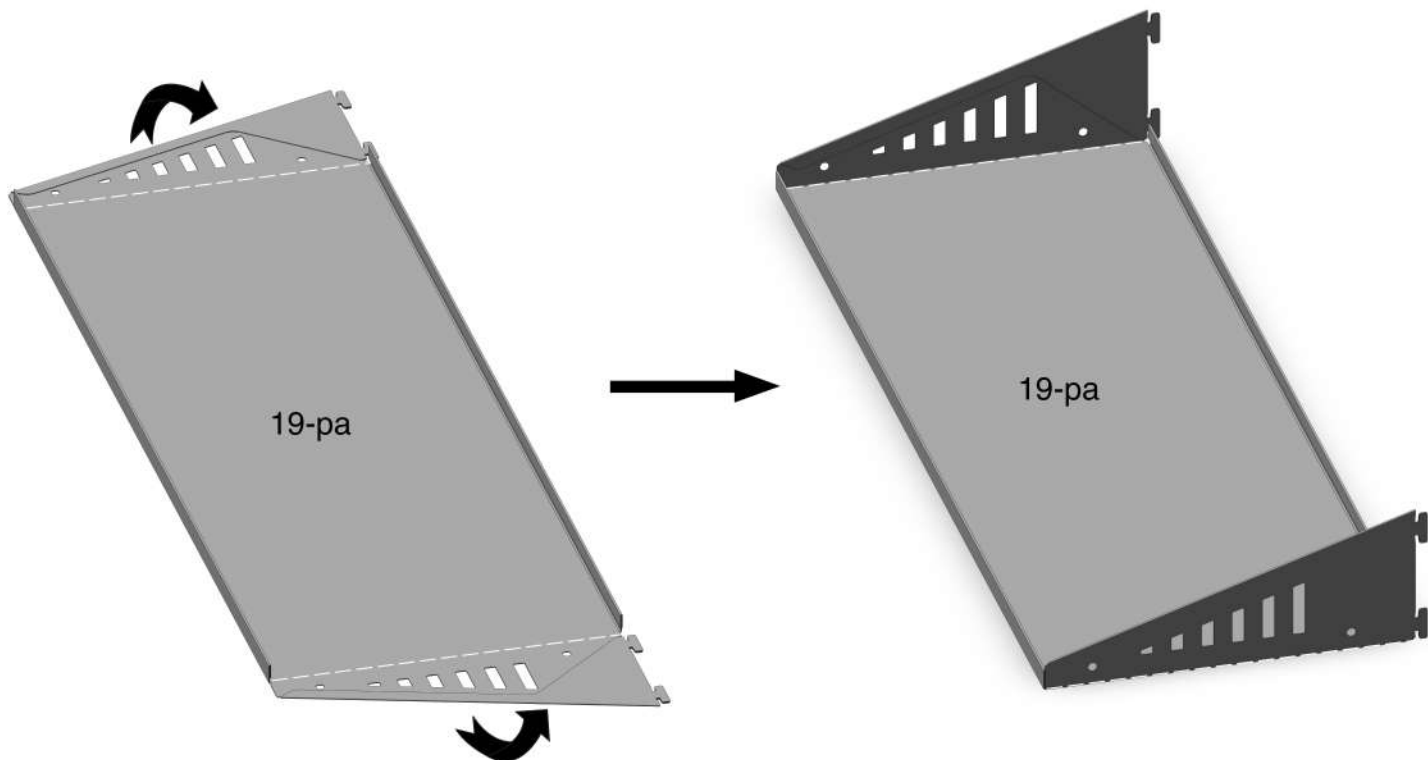
11-pa x5



41



19-pa x2

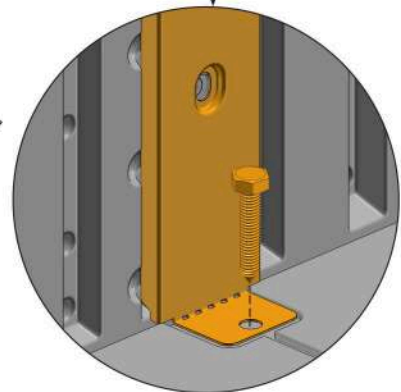
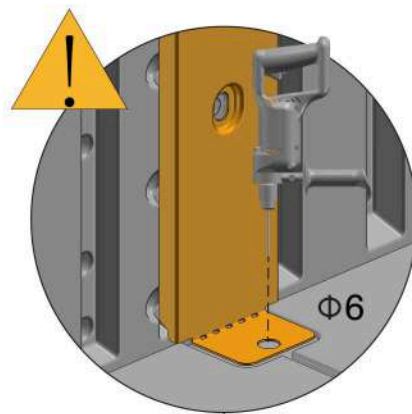
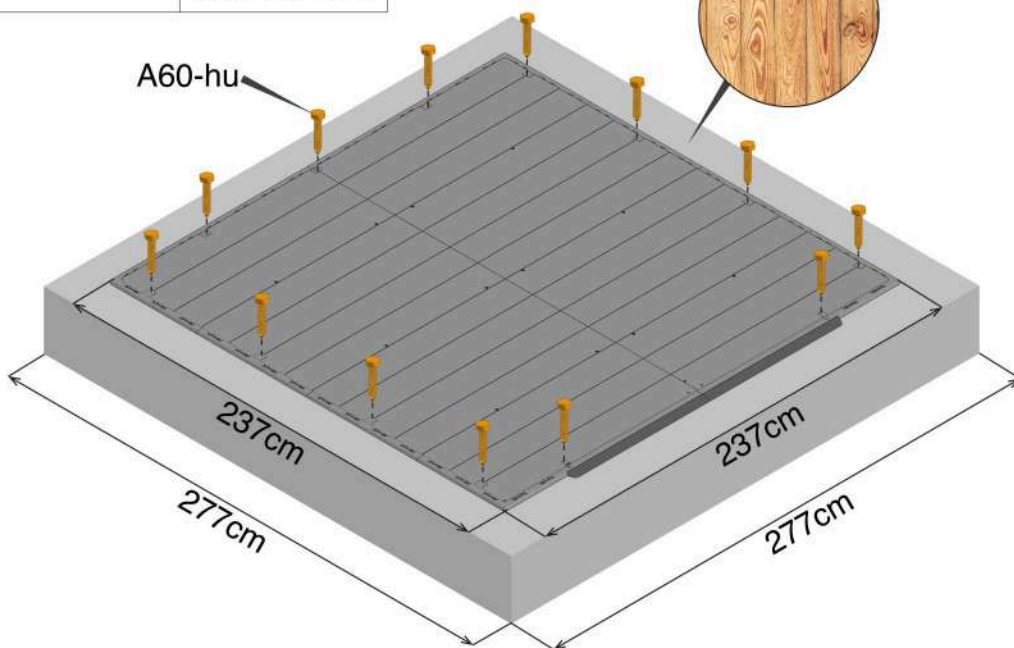


42



A60-hu x13

Montaż na drewnianej podstawie/ Assembly to a wooden base



Montaż na betonowej podstawie/ Assembly on a concrete base

