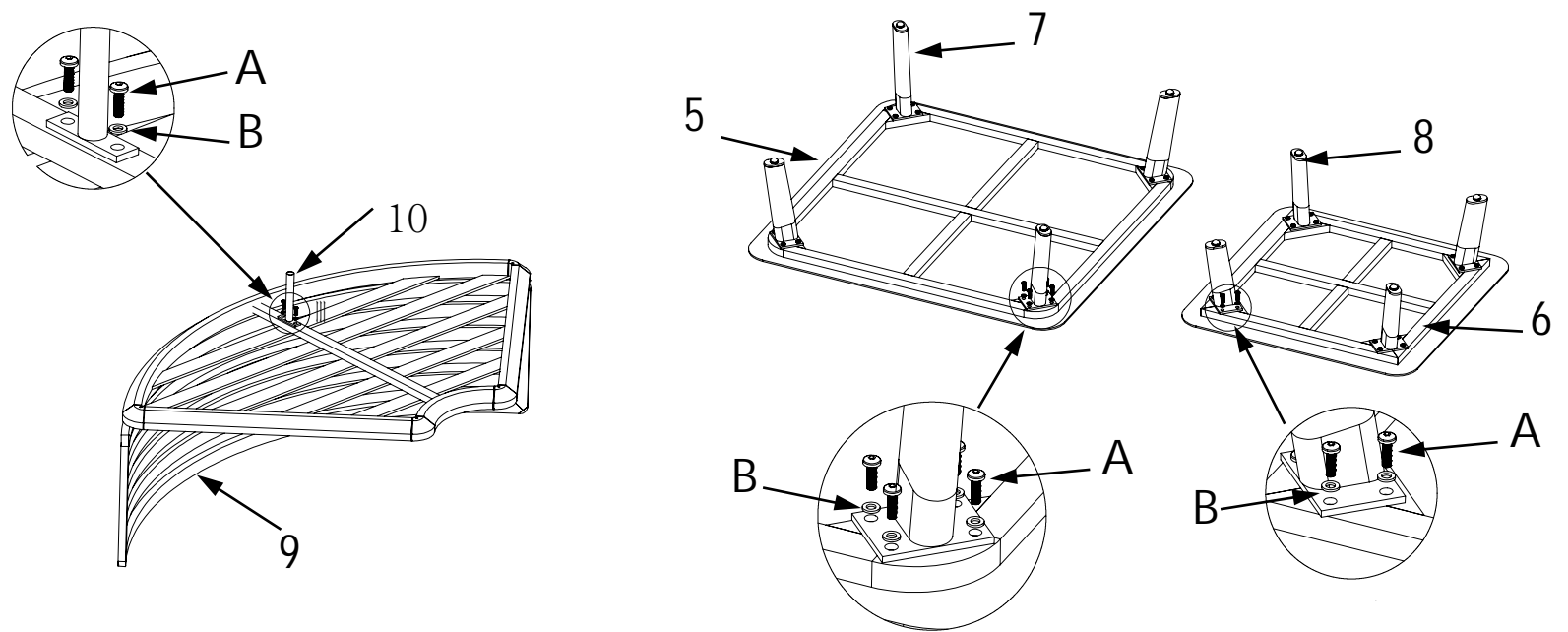
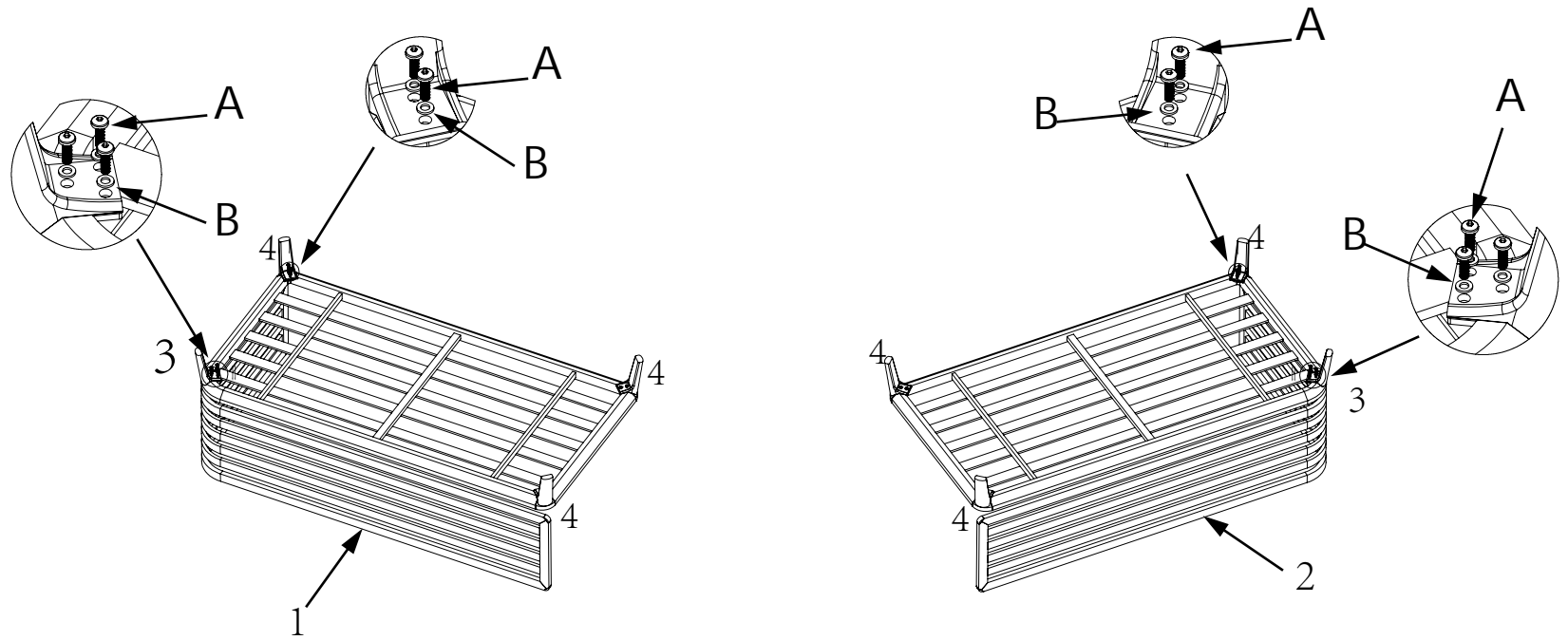
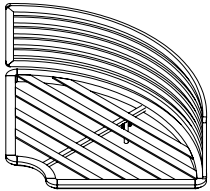
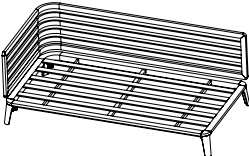
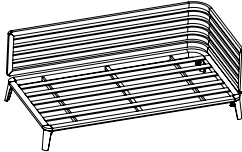






ASSEMBLY INSTRUCTION / INSTRUKCJA MONTAŻU

| LABEL/ OZNACZENIE | PICTURE/OBRAZ | QTY/ ILOŚĆ |
|----------------------|---------------|---------------|
| 1 | | 1 |
| 2 | | 1 |
| 9 | | 1 |
| 10 | | 1 |
| 3 | | 2 |
| 4 | | 6 |
| 5 | | 1 |
| 6 | | 1 |
| 7 | | 4 |
| 8 | | 4 |
| A | | 52 |
| B | | 52 |
| C | | 1 |



ASSEMBLY INSTRUCTION / INSTRUKCJA MONTAŻU

| LABEL/ OZNACZENIE | PICTURE/OBRAZ | QTY/ILOŚĆ |
|----------------------|--|-----------|
| 9-1 |  | 1 |
| 1-1 |  | 1 |
| 2-1 |  | 1 |
| D |  M6X65 | 4 |
| E |  M6X55 | 2 |
| B |  | 6 |
| C |  | 1 |

