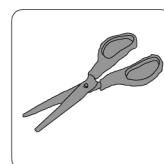
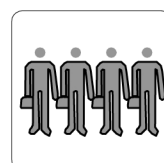
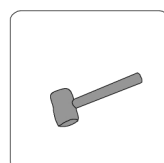
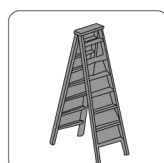
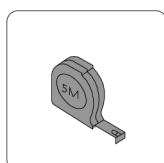
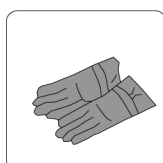
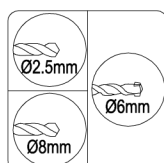
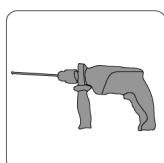
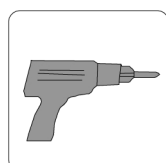
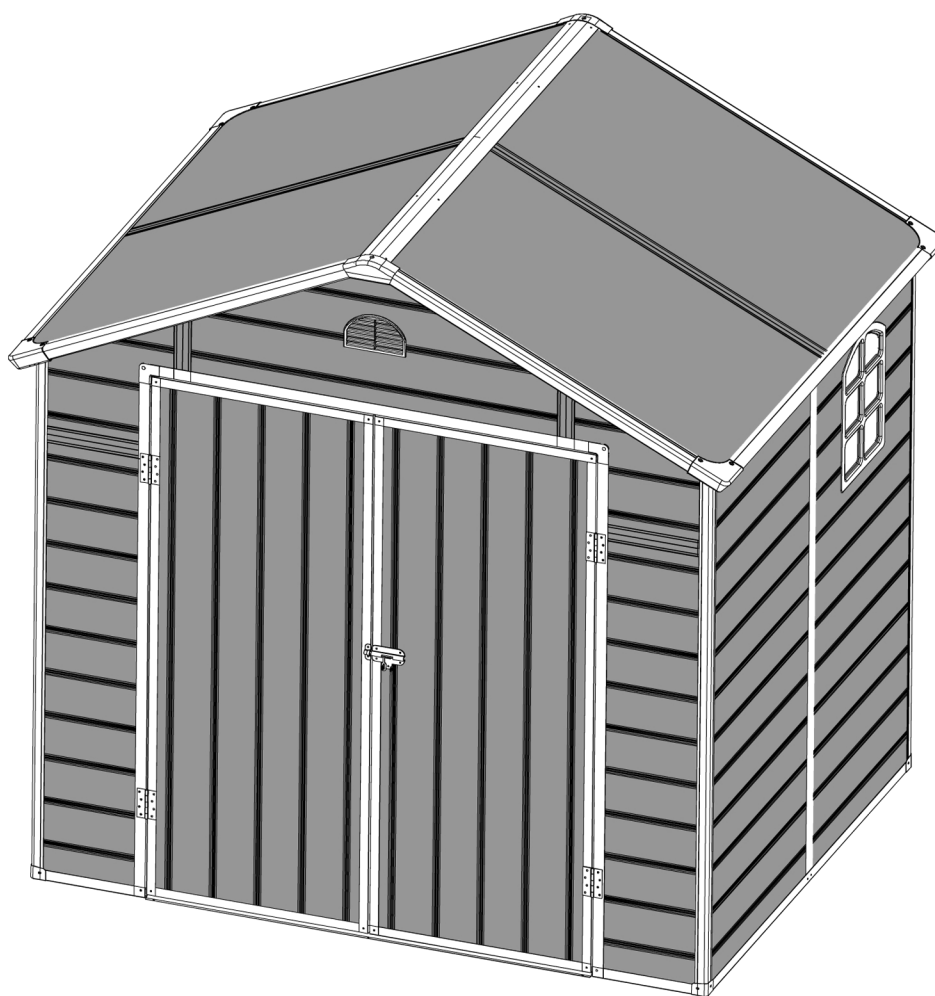


HARDMAISTER

Domek narzędziowy Garden shed

Instrukcja montażu VERMONT 8x6
Assembly instructions VERMONT 8x6



2. Aby zapobiec obrażeniom, podczas montażu konieczne jest noszenie rękawic ochronnych, okularów ochronnych i odzieży roboczej z długim rękawem. Należy zwrócić szczególną uwagę na ostre krawędzie niektórych elementów domku i zachować szczególną ostrożność podczas manewrowania nimi i montażu.
3. Zabrania się wstępu na teren budowy dzieci, osób niepełnoletnich, osób niepełnosprawnych, osób nietrzeźwych lub pod wpływem środków odurzających oraz zwierząt.
4. Nigdy nie wolno obciążać dachu budynku całkowitą masą ciała. Korzystając z drabiny schodkowej, należy upewnić się, że jest bezpieczna i ustawiona na płaskim podłożu.

Pielęgnacja i konserwacja:

1. Utrzymuj domek w czystości używając miękkiej ściereczki, w razie potrzeby z dodatkiem wody.
2. Oczyść domek ze śniegu za pomocą niezbędnych narzędzi, aby upewnić się, że wejście jest bezpieczne.
3. Domek nie jest przeznaczony do mieszkania, ale do przechowywania rzeczy.

Assembly Preparation

Owner's Manual

Please check local building codes regarding footings, location and other requirements before beginning construction.

Assembly instructions:

Reviewing all instructions and the appropriate information before you begin, make sure following the step sequence carefully for successful results.

Flooring base:

A good location for the storage building is a square and level area with good drainage. The base is not included in the kit which may need purchase separately or may construct a foundation and anchoring system of your own. The foundation base should be 10 cm larger than the base rail of the shed (minimum 10cm thickness concrete slab is recommended).

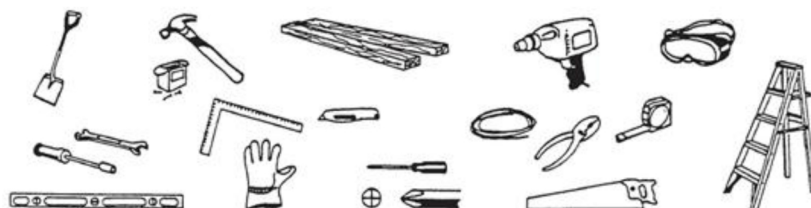
A strong plastic sheet (thickness: at least 150µm) should be placed under the foundation to assist in reducing rising dampness from the soil, thus reducing condensation build up in the shed. Your storage building must be anchored to prevent wind damage.

Parts and Parts List:

Before you start, check to be sure that you have all the necessary parts for your building (refer to the Parts List Page). Do not attempt to assemble the building if parts are missing because any building left partially assembled may be seriously damaged by light winds.

Please tear off the safety protection layer before assembly, keep the part number label if needed.

Tools you need:

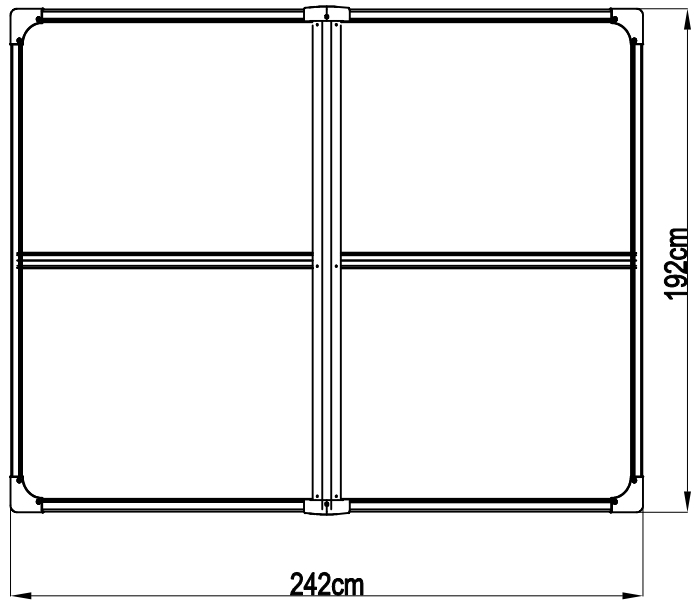
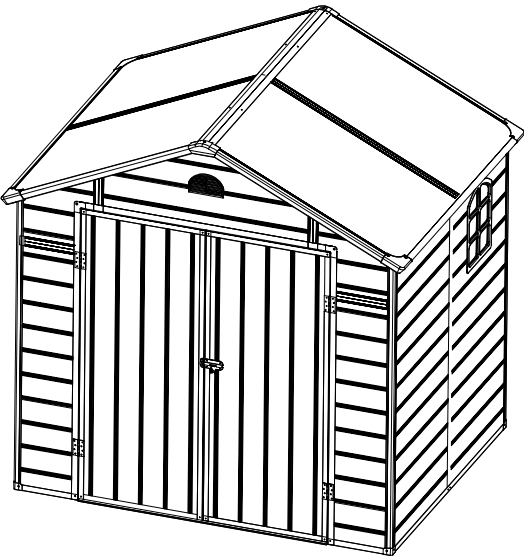
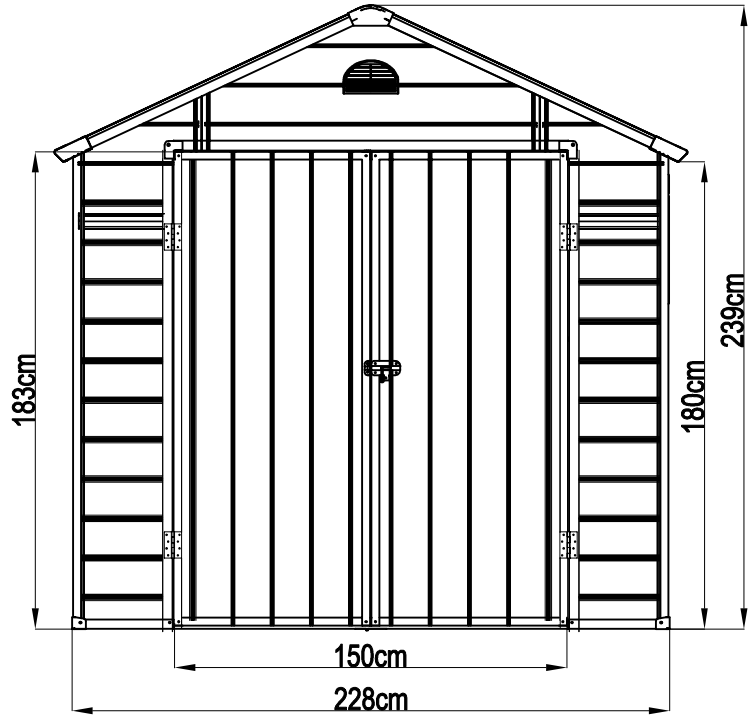
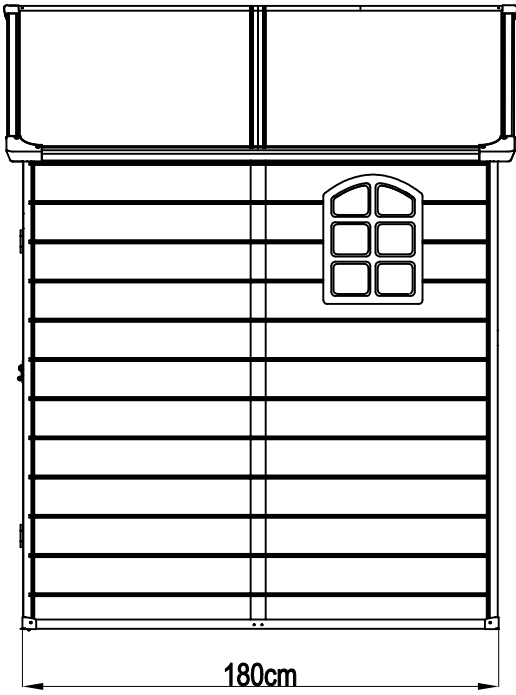


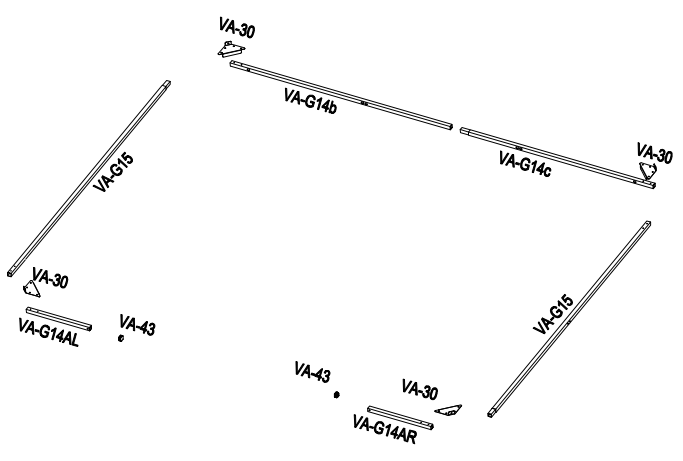
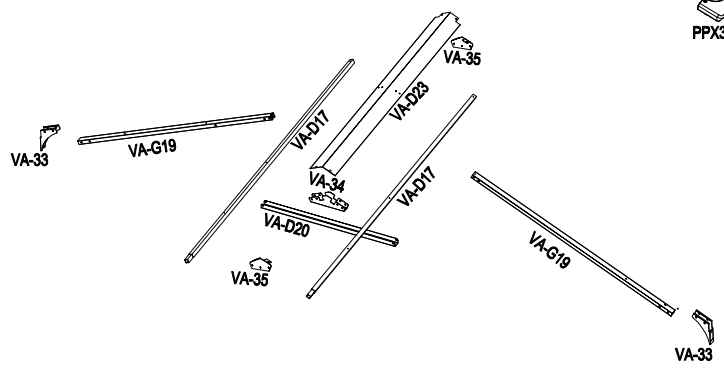
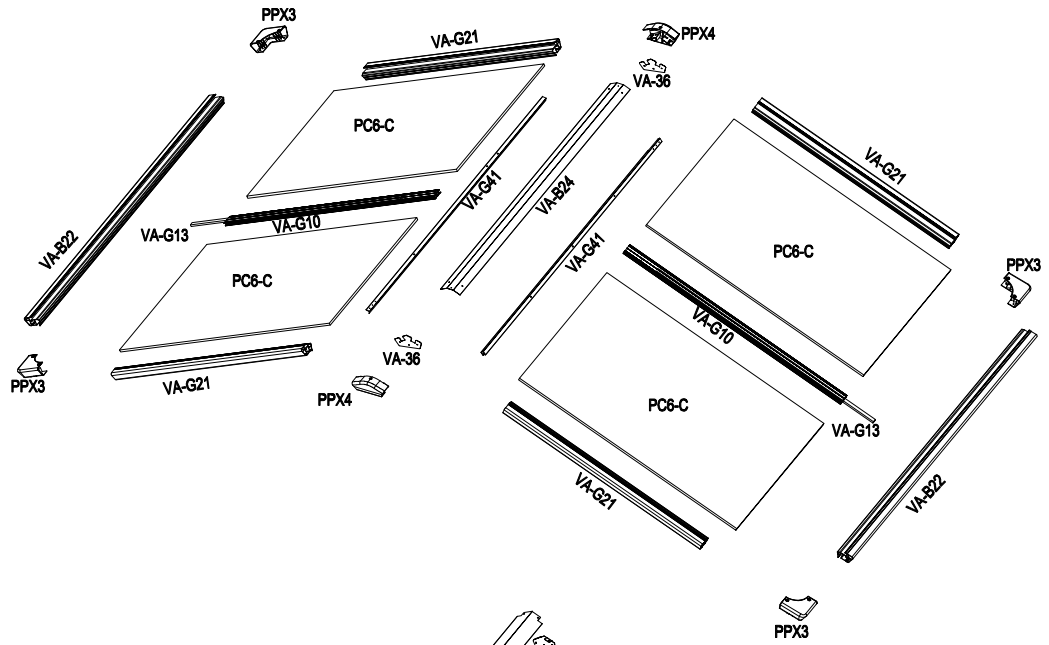
Safety must be put in the No. 1 position:

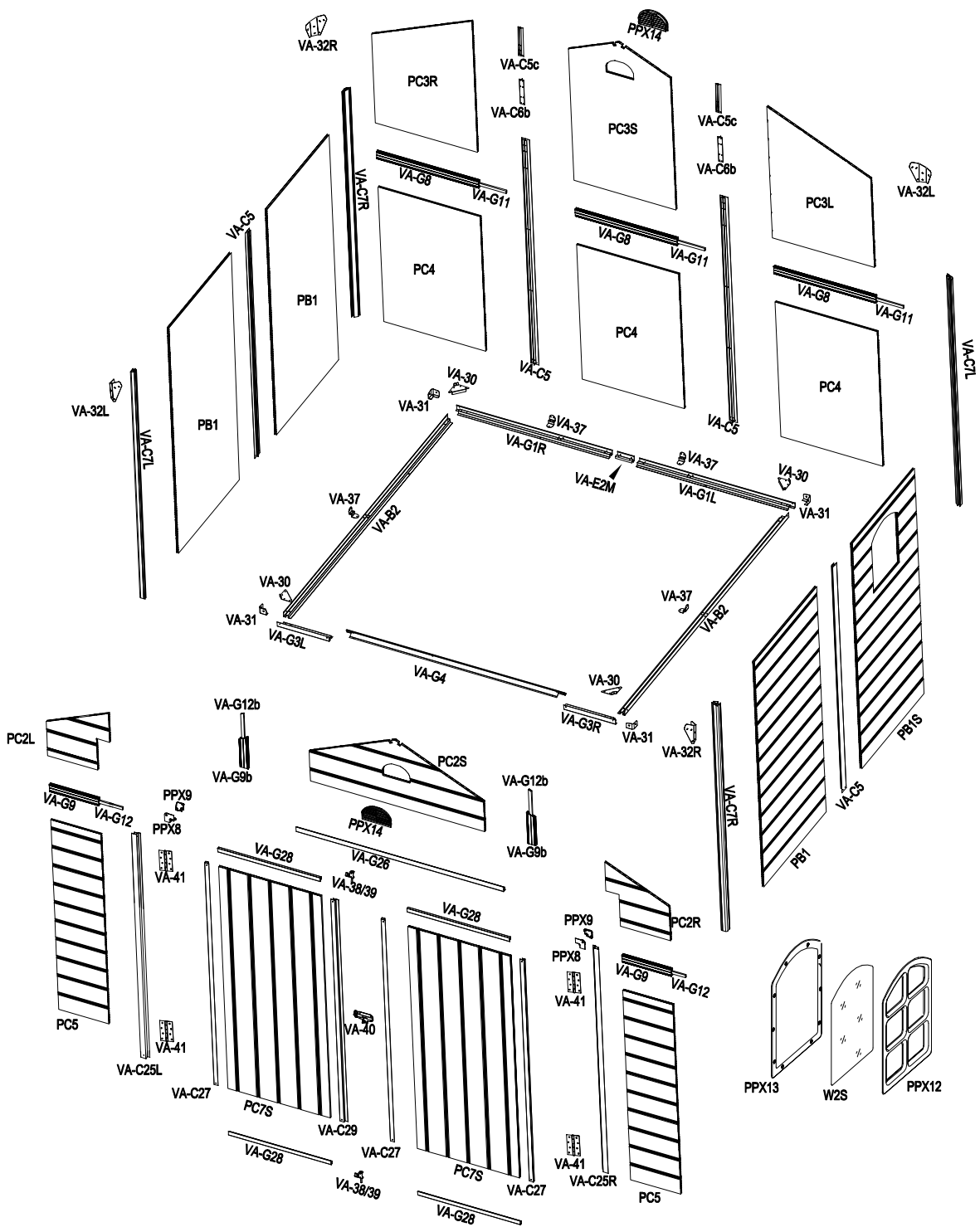
1. Select a dry and calm day for your assembly. Team works (Two or more people) are required during the assembly. It is also recommended to finish the assembly in a day to avoid damage to the product or missing of some small parts. Keep all small parts (screws etc.) in a bowl so they do not get lost.
2. Wearing safety gloves, eye protection and long sleeves during the assembly to prevent injury. Pay attention to the sharp edge of some parts.
3. Children and pets are not allowed entering into the construction site.
4. Never concentrate your total weight on the roof of the building. When using a step ladder make sure that it is safe.



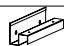
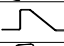













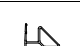


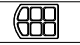




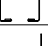

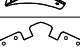
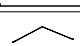


Care & Maintenance:





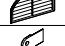

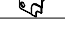
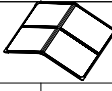



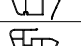
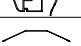





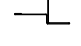
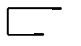


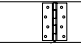
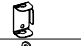
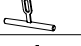






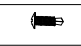



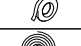

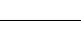
1. Keep the shed clean with soft cloth, use water if necessary.
2. Clean the snow timely with necessary tools to make sure it is safe to enter into.
3. The shed is not made for living but storing stuff.












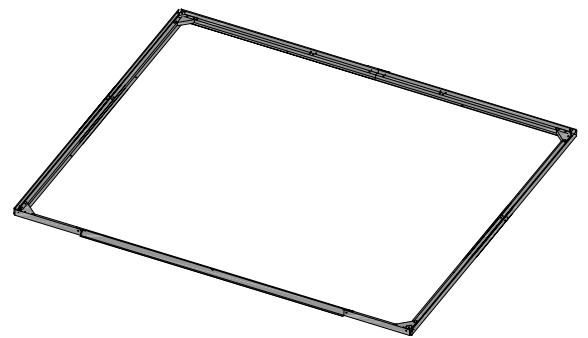
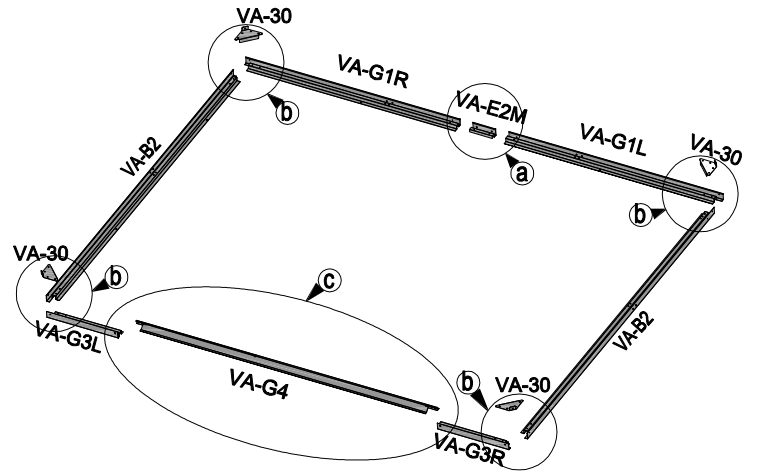
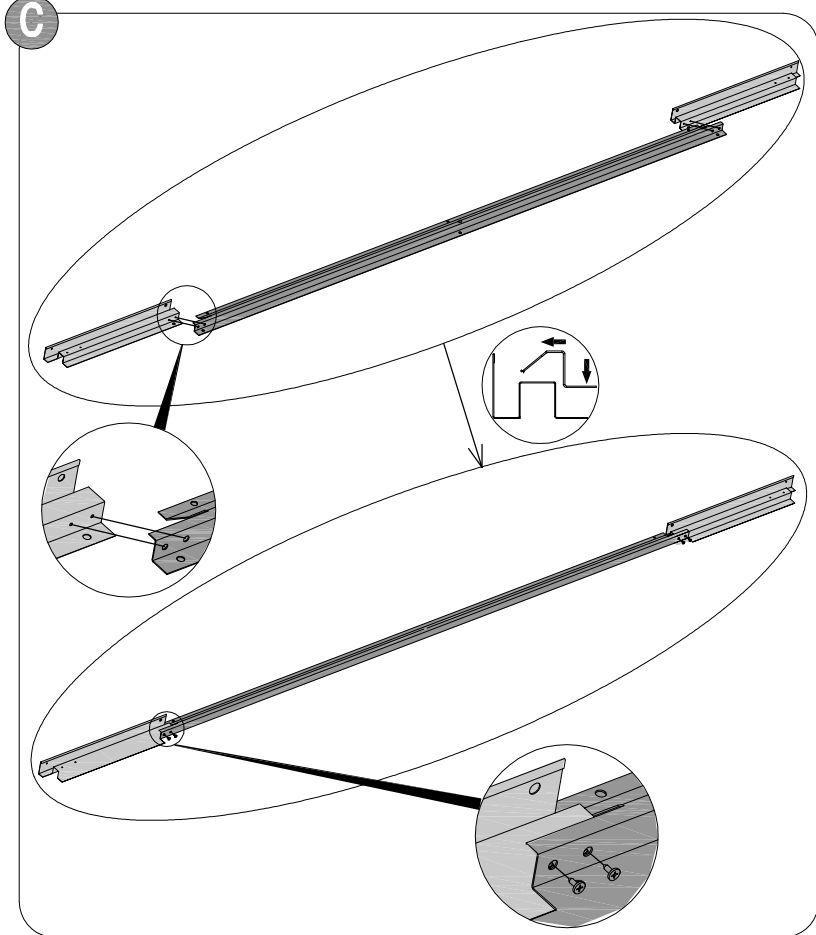
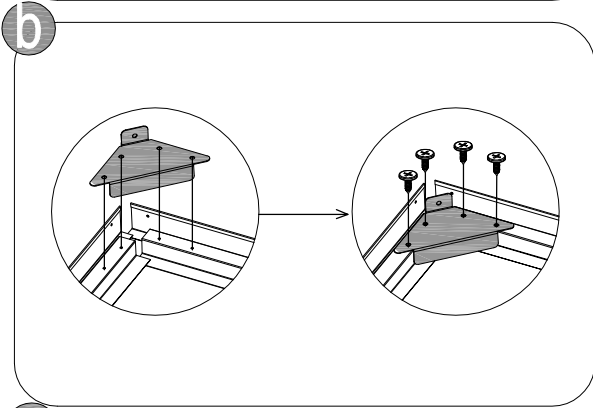
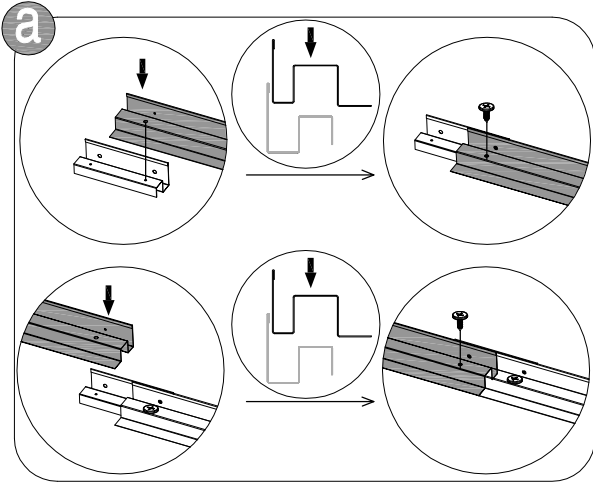




					
VA-G1L		1132mm	x1	3/3	
VA-G1R		1132mm	x1	3/3	
VA-B2		1780mm	x2	3/3	
VA-G3R		377mm	x1	3/3	
VA-G3L		377mm	x1	3/3	
VA-E2M		120mm	x1	3/3	
VA-G4		1588mm	x1	3/3	
VA-30			x8	2/3	
VA-31			x4	2/3	
VA-37			x4	2/3	
					
PB1		876X1840mm	x3	1/3	
PB1S		876X1840mm	x1	1/3	
PC2S		1270X542mm	x1	2/3	
PC2L		461X492mm	x1	2/3	
PC2R		461X492mm	x1	2/3	
PC3L		743X1072mm	x1	1/3	
PC3R		743X1072mm	x1	1/3	
PC3S		743X1248mm	x1	2/3	
PC4		743X1100mm	x3	2/3	
PC5		365X1548mm	x2	1/3	
VA-C7R		1860mm	x2	1/3	
VA-C7L		1860mm	x2	1/3	
VA-C5		1840mm	x4	3/3	
VA-C5c		365mm	x2	3/3	
VA-C6b		200mm	x2	3/3	
PPX12			x1	2/3	
W2S			x1	2/3	
PPX13			x1	2/3	
VA-G8		738mm	x3	2/3	
VA-G9		360mm	x2	2/3	
VA-G9b		254mm	x2	2/3	
VA-G11		740mm	x3	3/3	
VA-G12		362mm	x2	3/3	
VA-G12b		225mm	x2	3/3	
VA-G14b		1200mm	x1	3/3	
VA-G14c		1052mm	x1	3/3	
VA-G14AL		345mm	x1	3/3	
VA-G14AR		345mm	x1	3/3	
VA-G15		1723mm	x2	3/3	
VA-D17		1797mm	x2	3/3	
VA-G19			1181mm	x2	3/3
VA-D20			725mm	x1	3/3
VA-33			x2	3/3	
VA-34			x1	3/3	
VA-D23		1797mm	x1	3/3	
VA-36			x2	2/3	

VA-32R			x2	2/3
VA-32L			x2	2/3
VA-35			x2	2/3
VA-43			x2	2/3
PPX14			x2	2/3
PPX8			x2	2/3
PPX9			x2	2/3
				
PC6-C		1285X920mm	x4	2/3
VA-G10		1285mm	x2	2/3
VA-G13		1285mm	x2	3/3
VA-G21		1165mm	x4	2/3
VA-B22		1705mm	x2	3/3
VA-B24		1900mm	x1	3/3
VA-G41		1864mm	x2	3/3
PPX3			x4	2/3
PPX4			x2	2/3
				
VA-C25R		1830mm	x1	3/3
VA-C25L		1830mm	x1	3/3
VA-G26		1508mm	x1	3/3
VA-C27		1812mm	x3	3/3
VA-G28		747mm	x4	3/3
VA-C29		1812mm	x1	3/3
PC7S		1810X746mm	x2	1/3
VA-41			x4	2/3
VA-38a			x2	2/3
VA-38b			x2	2/3
VA-39			x2	2/3
VA-40			x1	2/3
CN-A33			x2	2/3
PA01			x3	2/3
VA-G44		ST4.2x13mm	x290	2/3
VA-G45		ST4.2x19mm	x105	2/3
VA-G46		ST4.2x13mm	x29	2/3
VA-G47		ST4.2x19mm	x4	2/3
VA-G48		ST6.0x40mm	x13	2/3
VA-G49		ST4.2x13mm	x14	2/3
VA-G50		M6x40mm	x10	2/3
VA-51			x1	2/3
VA-53			x1	2/3

1	 VA-B2 [x2] 1780mm	 VA-G1L [x1] 1132mm	 VA-G1R [x1] 1132mm	 VA-G3L [x1] 377mm	 VA-G3R [x1] 377mm	 VA-G4 [x1] 1588mm	 VA-E2M [x1] 120mm	 VA-30 [x4]	 VA-G44 [x22] 13mm
----------	---	--	--	---	---	---	---	---	---



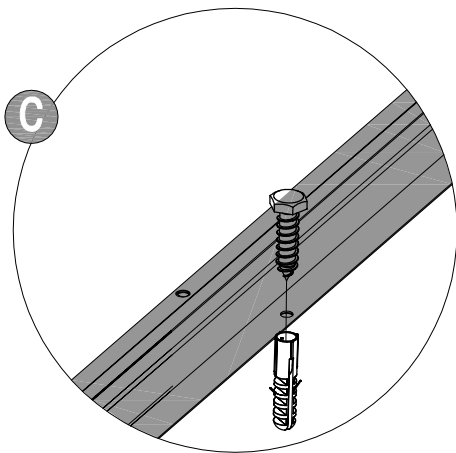
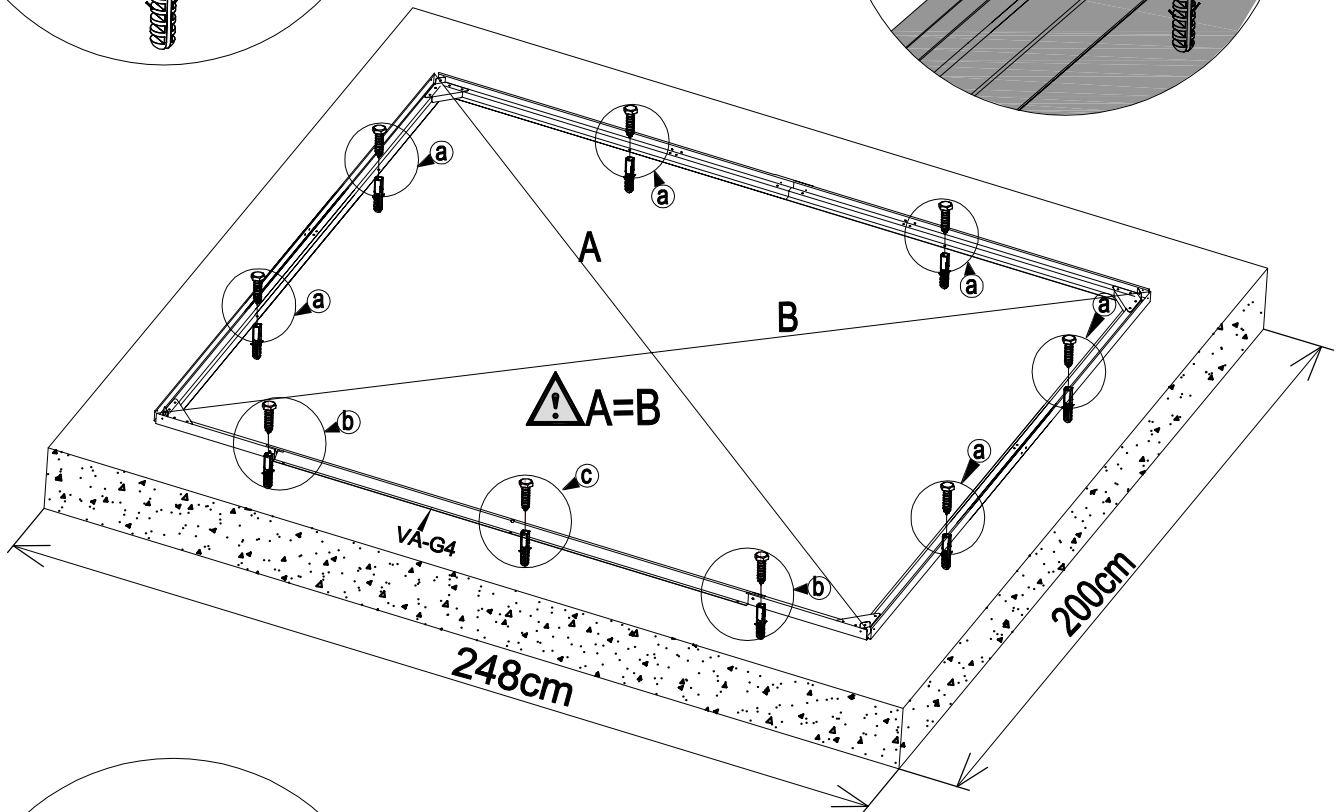
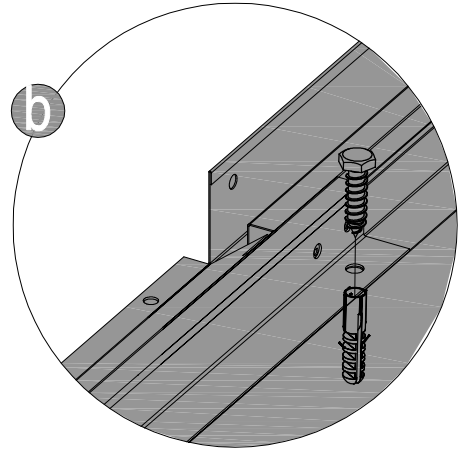
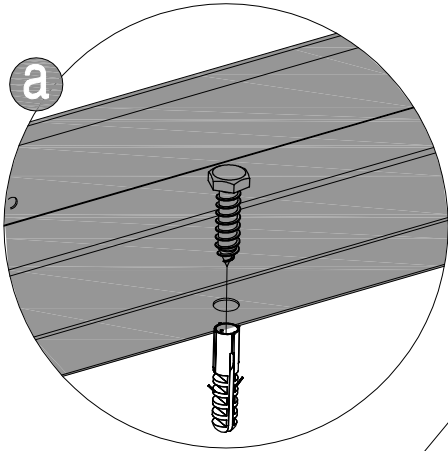
2

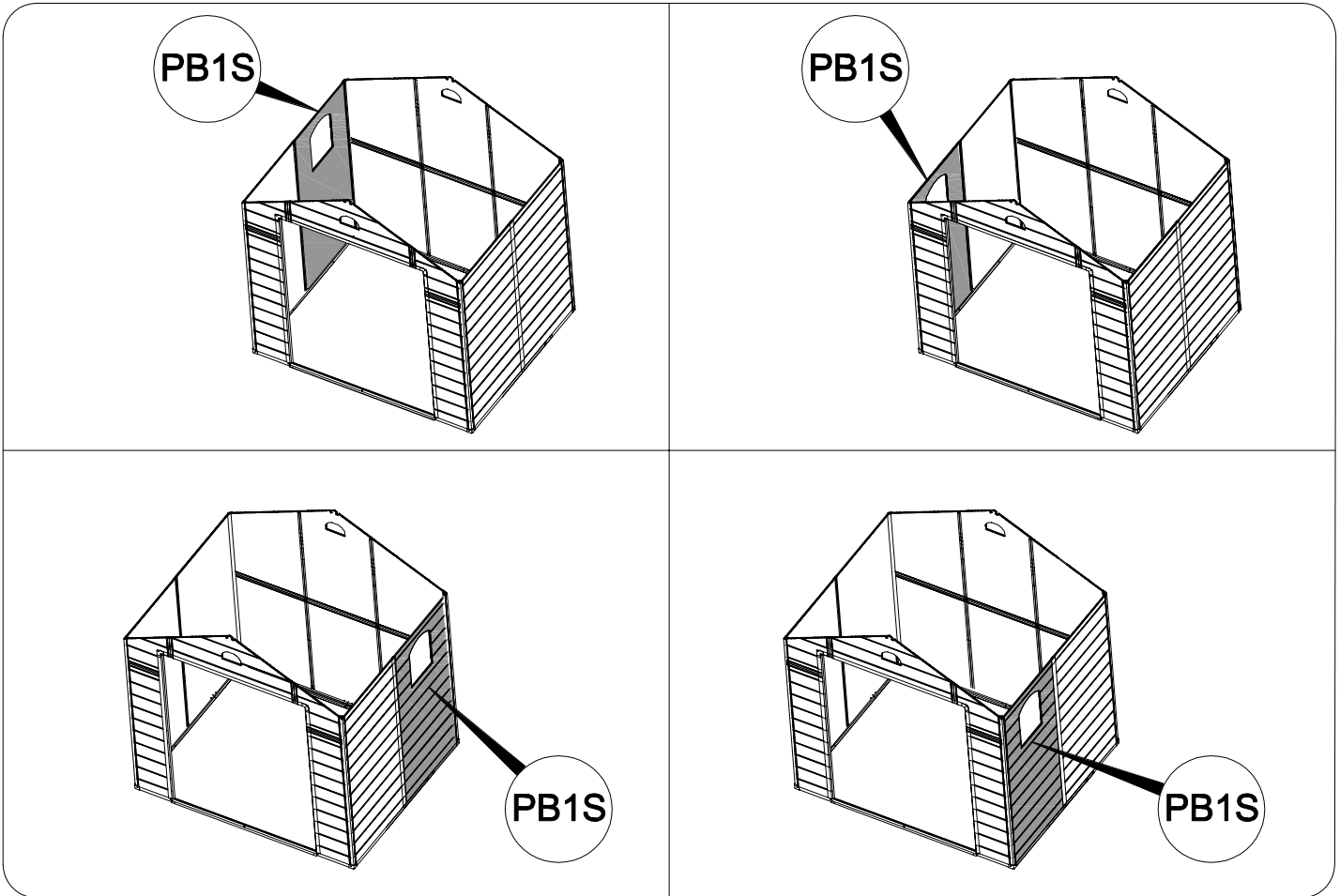



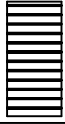


VA-G48 [x9]
40mm

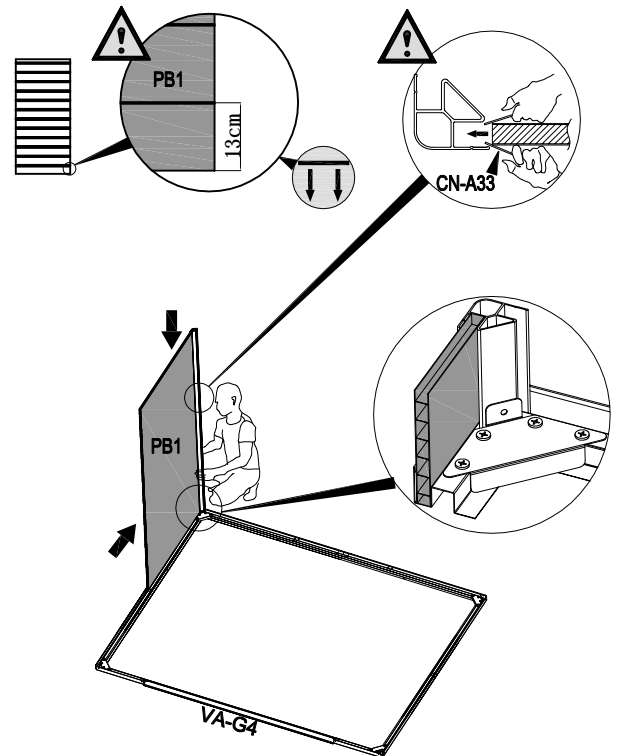
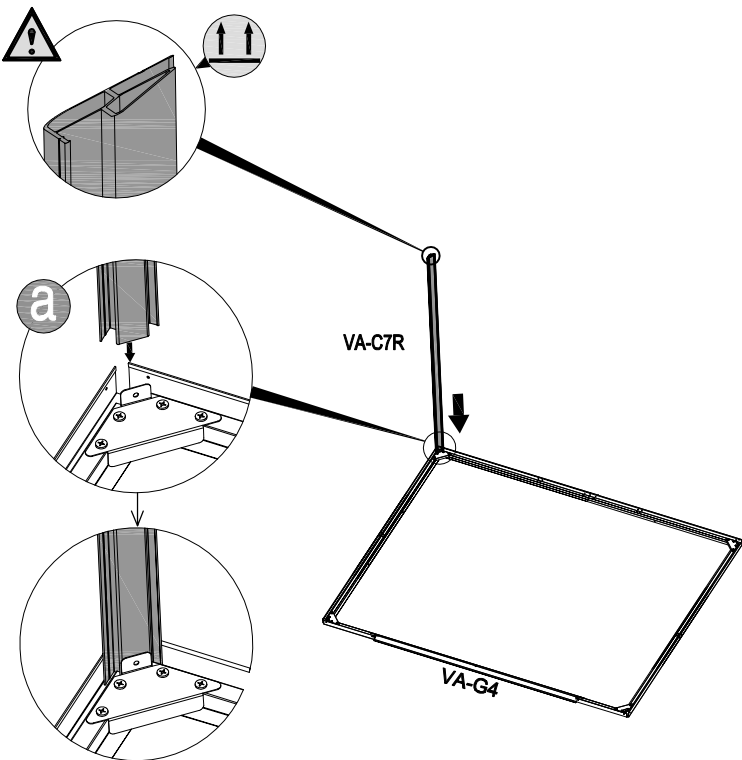






Ø6mm

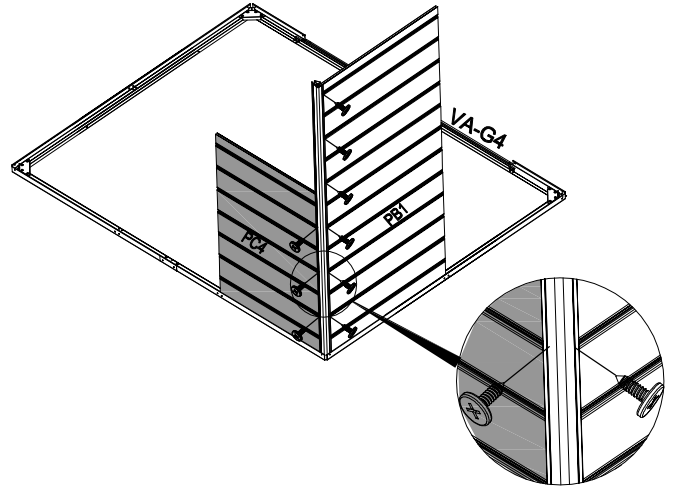
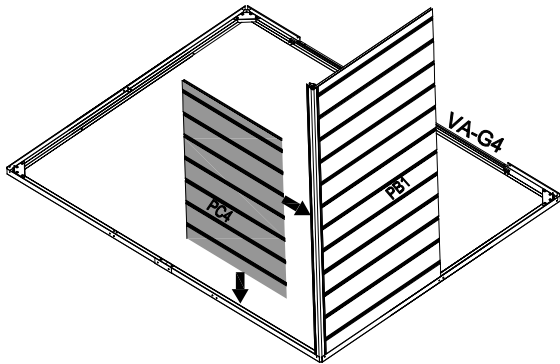
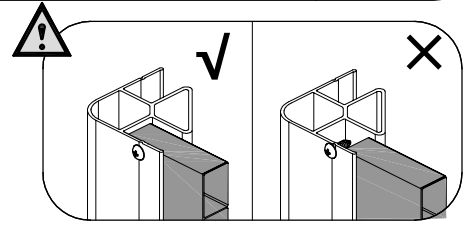
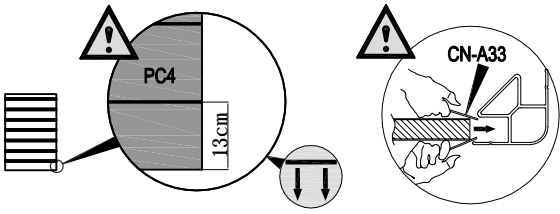



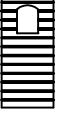


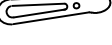



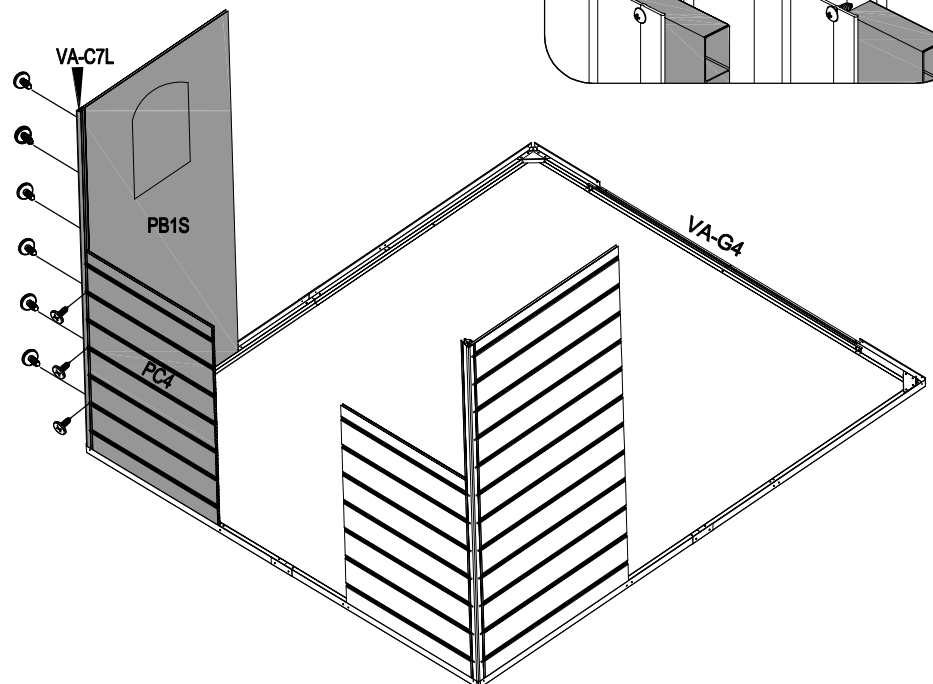
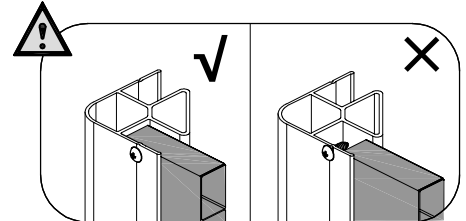
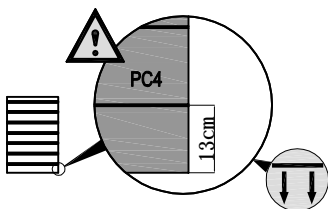
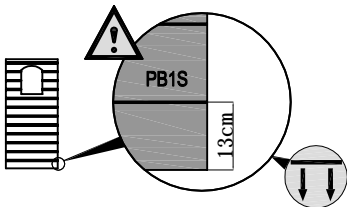
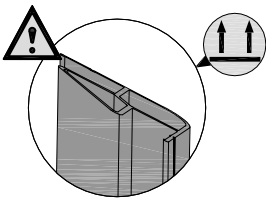
<p>3</p>	 <p>VA-C7R [x1] 1860mm</p>	 <p>PB1 [x1] 876x1840mm</p>	 <p>CN-A33</p>	
-----------------	---	--	---	---


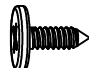



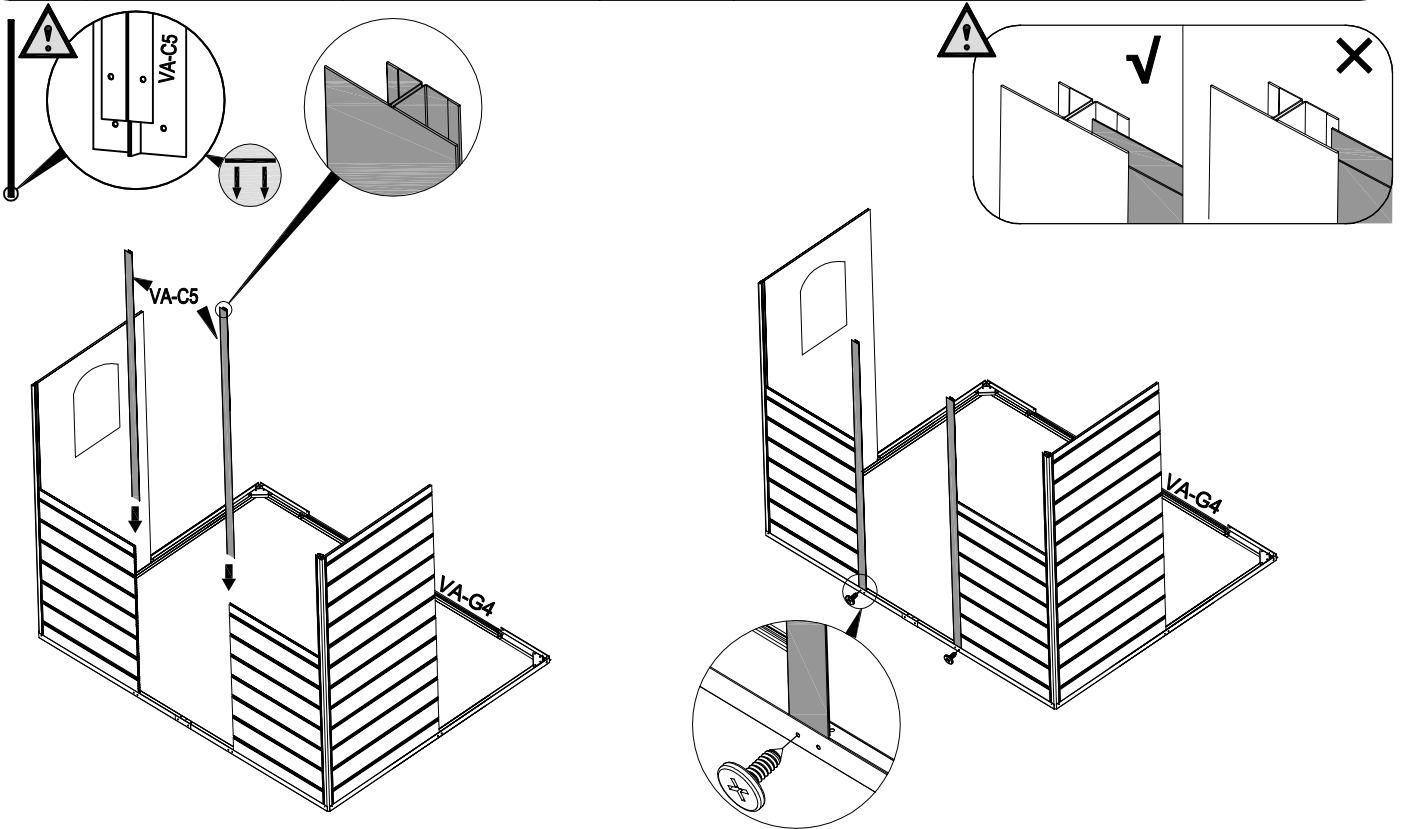
4	 PC4 [x1] 743x1100mm	 VA-G45 [x9] 19mm	 CN-A33	
----------	--	---	--	---



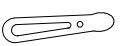



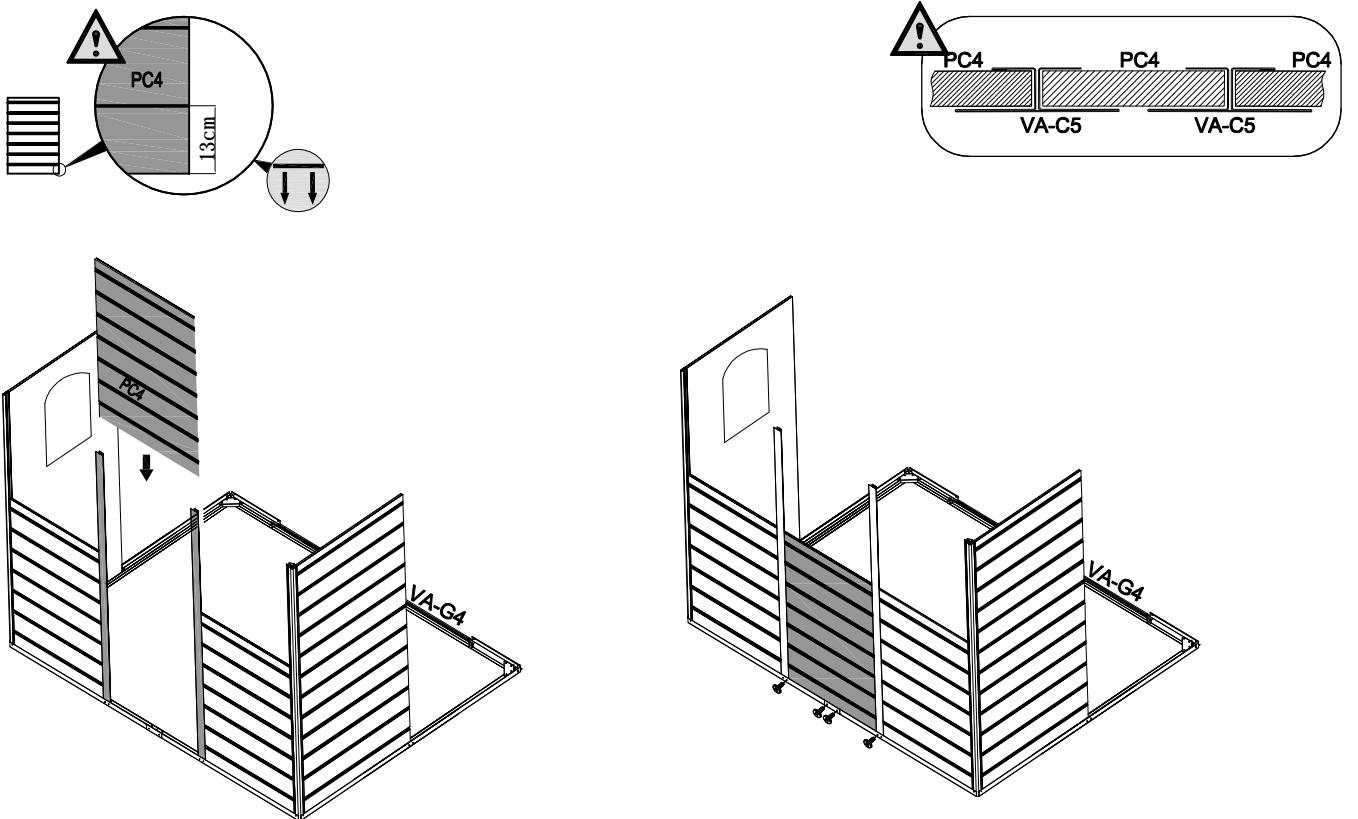
5	 VA-C7L [x1] 1860mm	 PB1S [x1] 876x1840mm	 PC4 [x1] 743x1100mm	 VA-G45 [x9] 19mm	 CN-A33	
----------	---	---	--	---	--	---


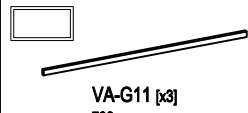


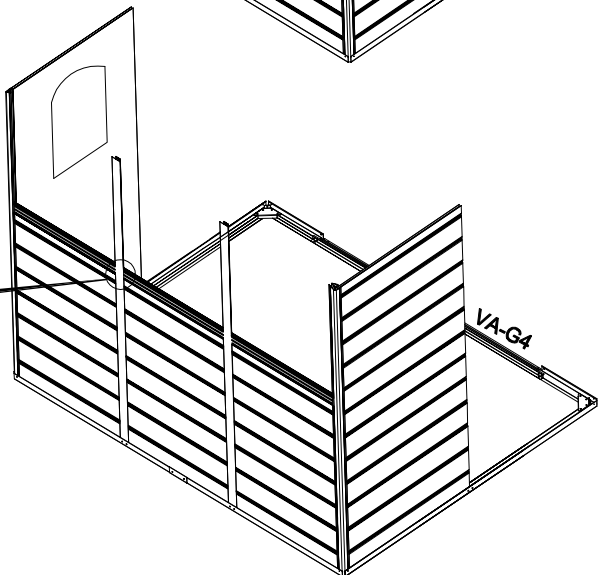
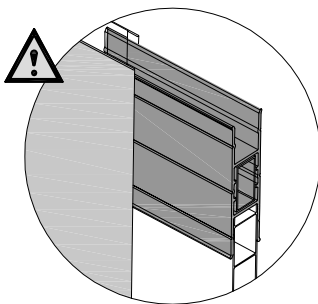
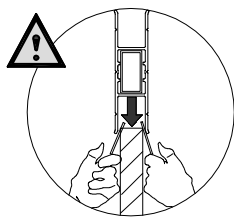
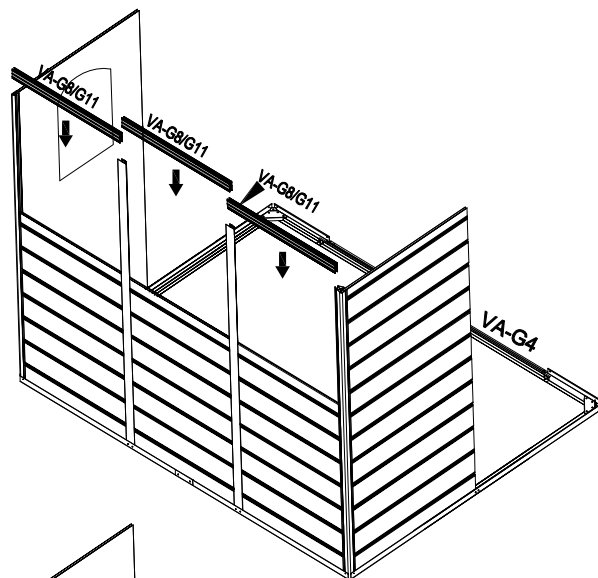
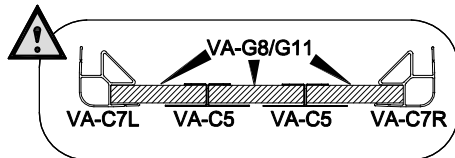
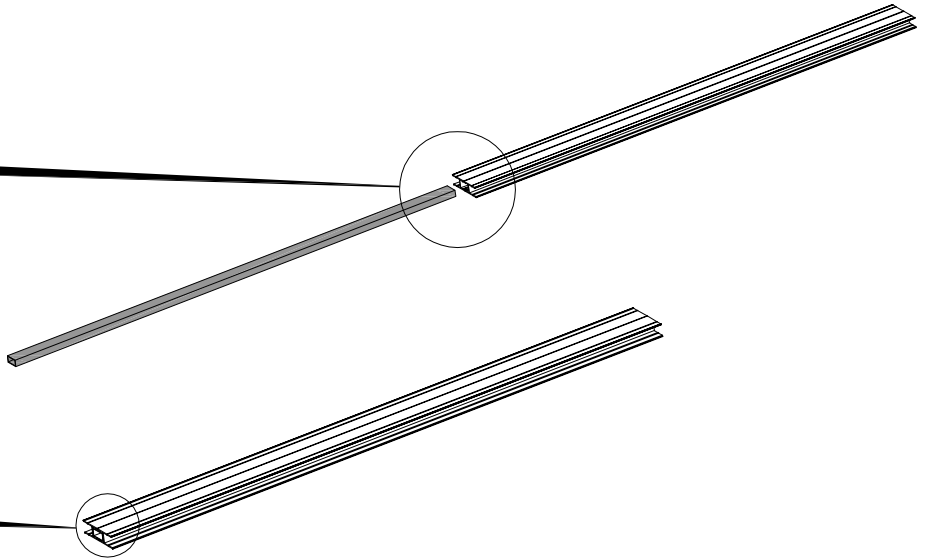
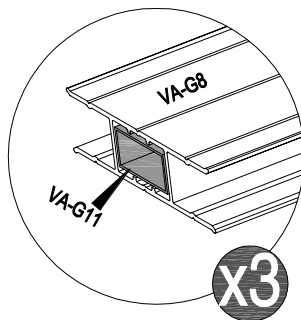
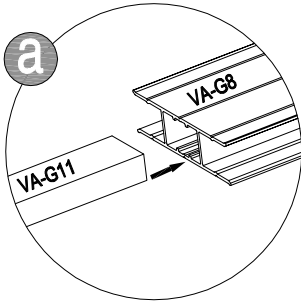
6	 VA-C5 [x2] 1840mm	 VA-G44 [x2] 13mm	 CN-A33	
---	---	--	---	--

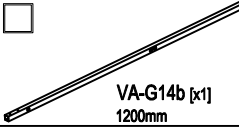
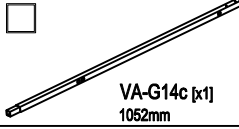
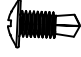


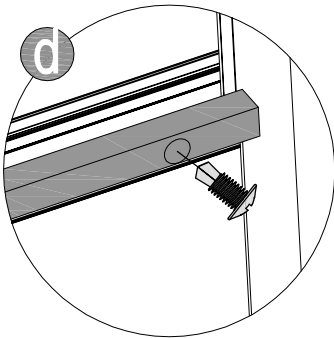
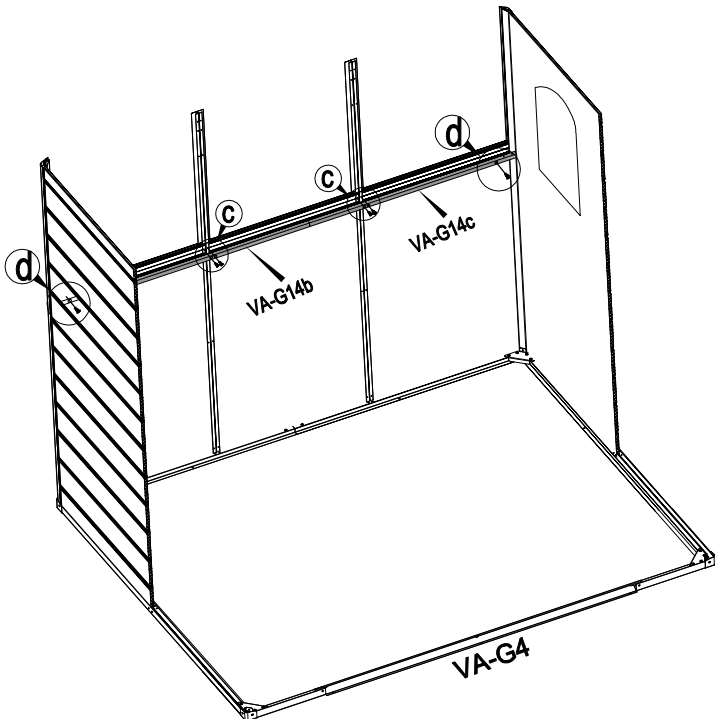
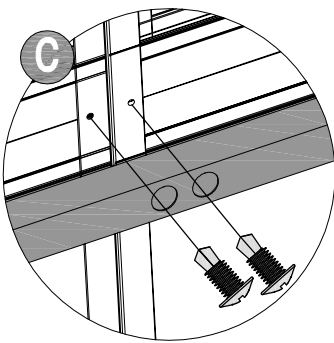
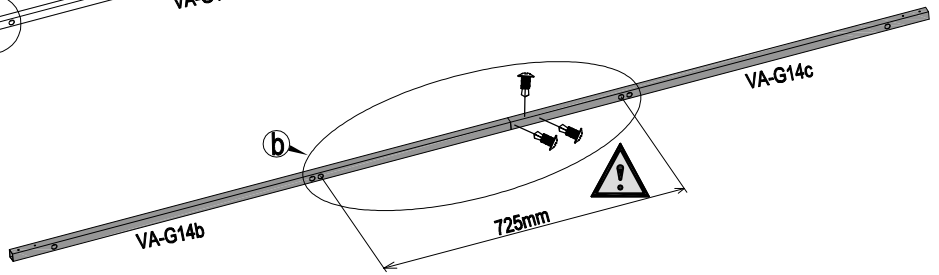
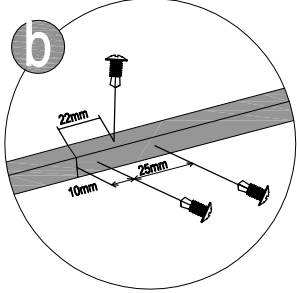
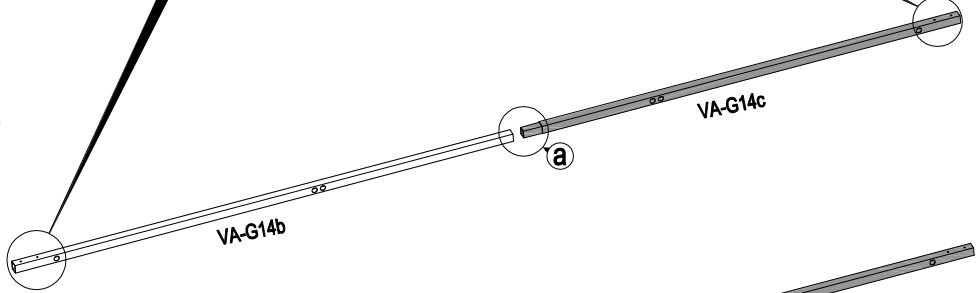
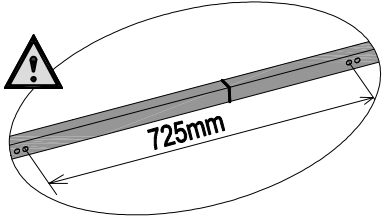
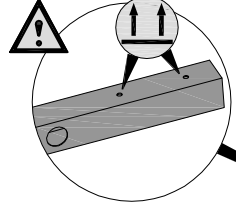
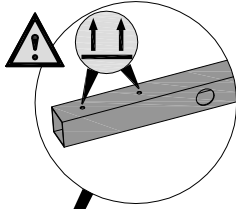
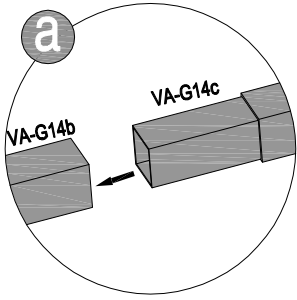
7	 PC4 [x1] 743x1100mm	 VA-G44 [x4] 13mm	 CN-A33		
---	---	--	---	--	---


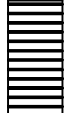






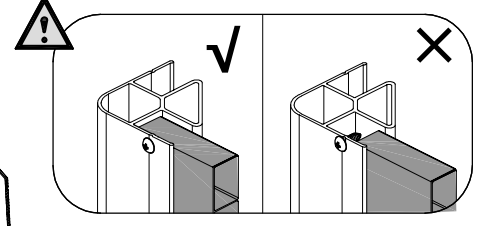
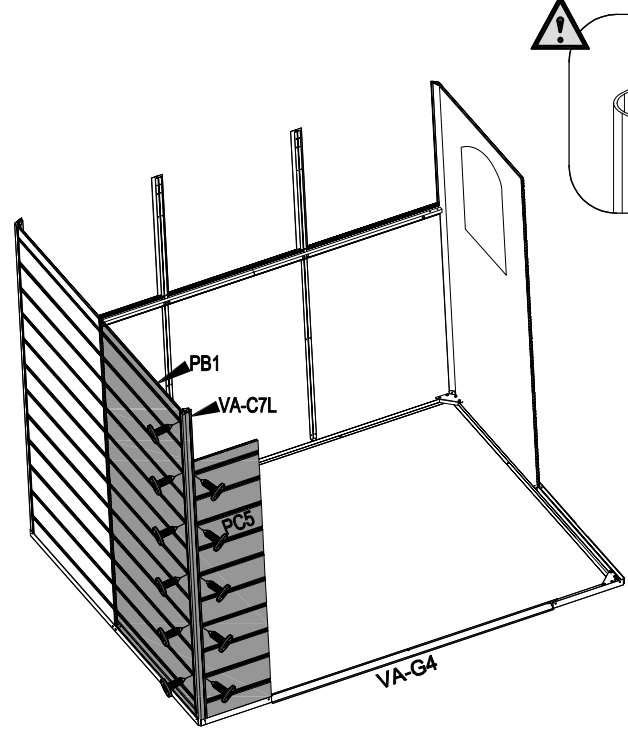
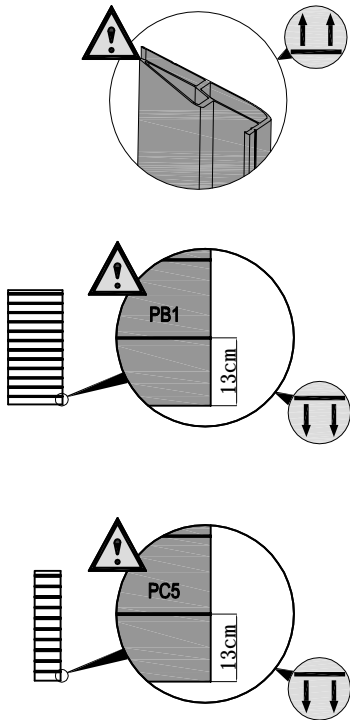
8	 VA-G8 [x3] 738mm	 VA-G11 [x3] 738mm	
----------	--	---	--


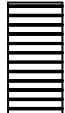






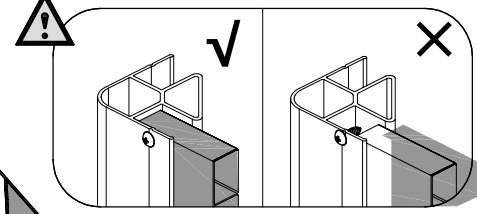
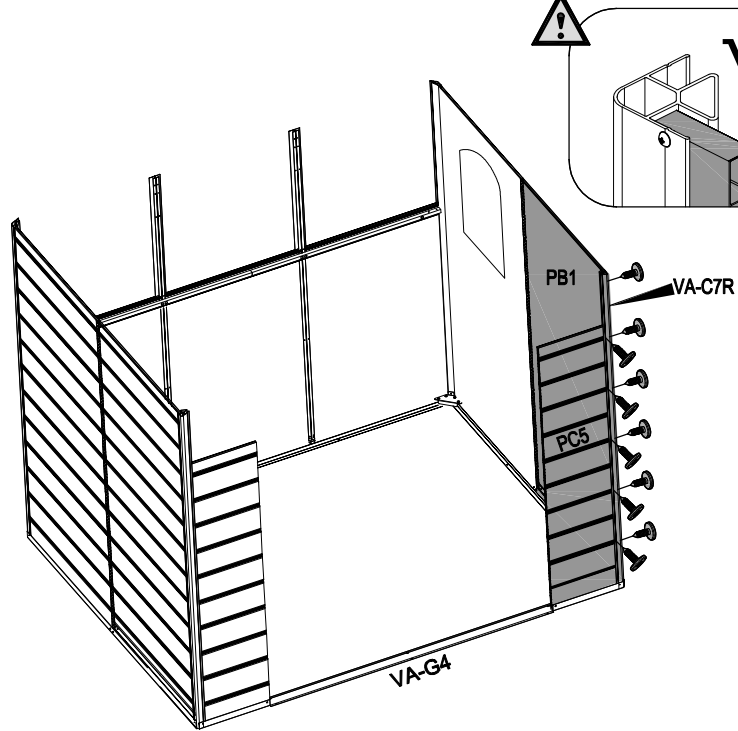
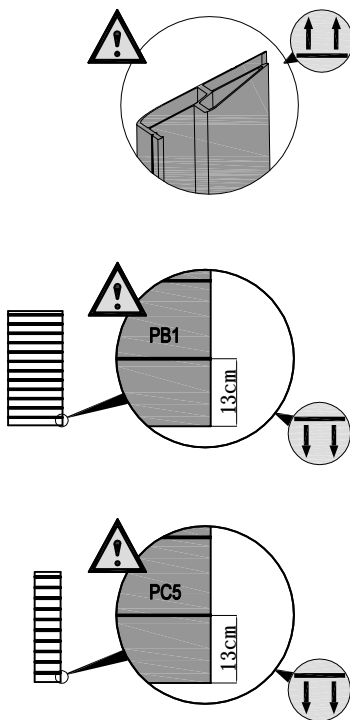
9	 VA-G14b [x1] 1200mm	 VA-G14c [x1] 1052mm	 VA-G46 [x9] 13mm			
---	---	---	--	--	--	--



10						
	VA-C7L [x1] 1860mm	PB1 [x1] 876x1840mm	PC5 [x1] 365x1548mm	VA-G45 [x11] 19mm	CN-A33	



11						
	VA-C7R [x1] 1860mm	PB1 [x1] 876x1840mm	PC5 [x1] 365x1548mm	VA-G45 [x11] 19mm	CN-A33	



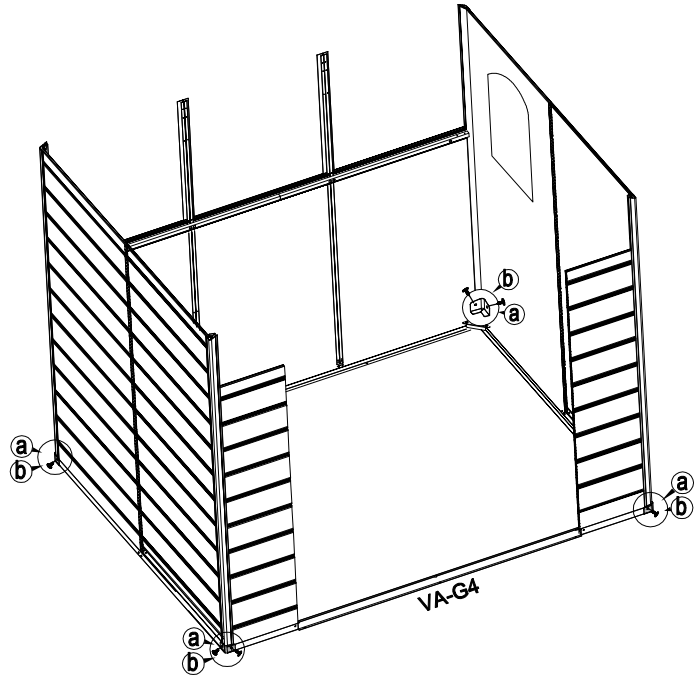
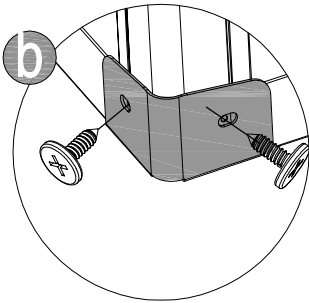
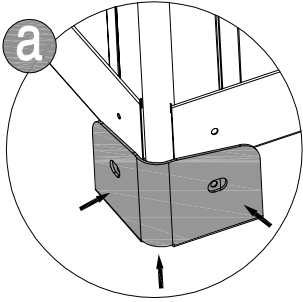
12



VA-31 [x4]



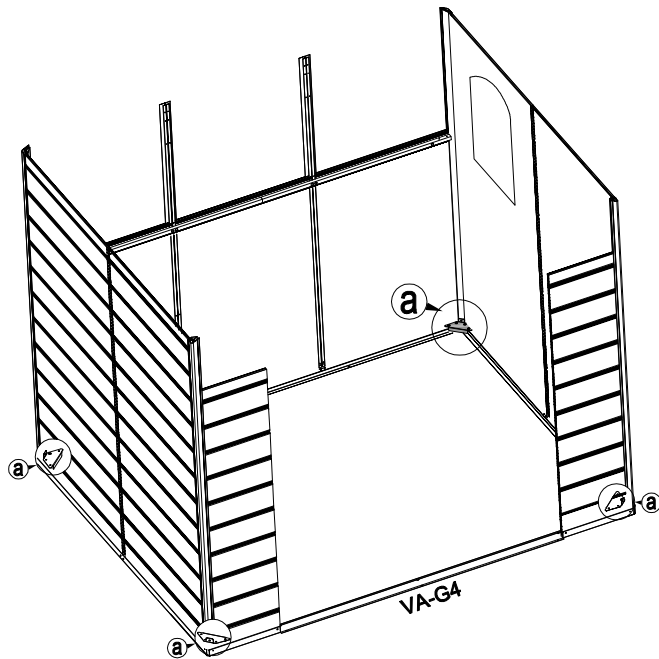
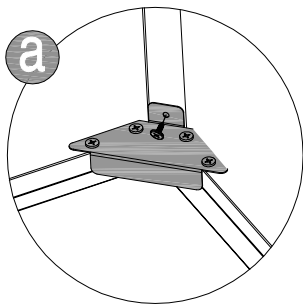
VA-G44 [x8]
13mm



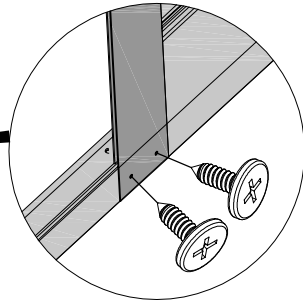
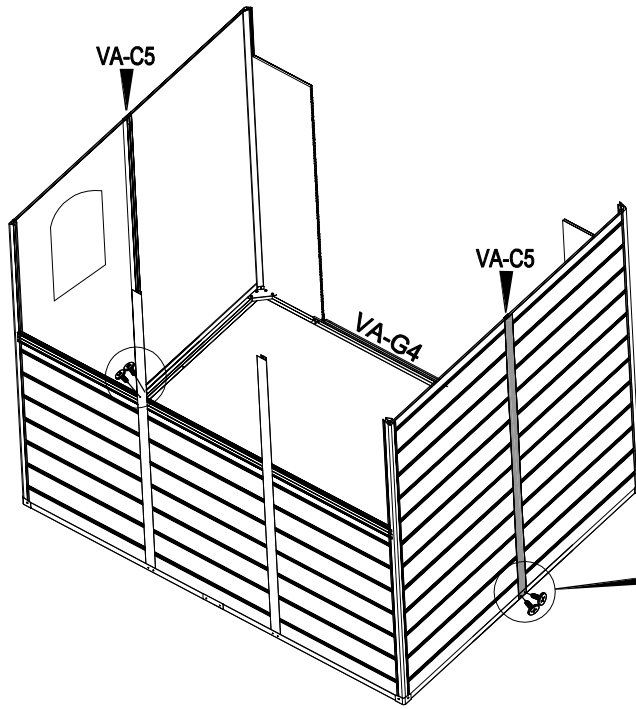
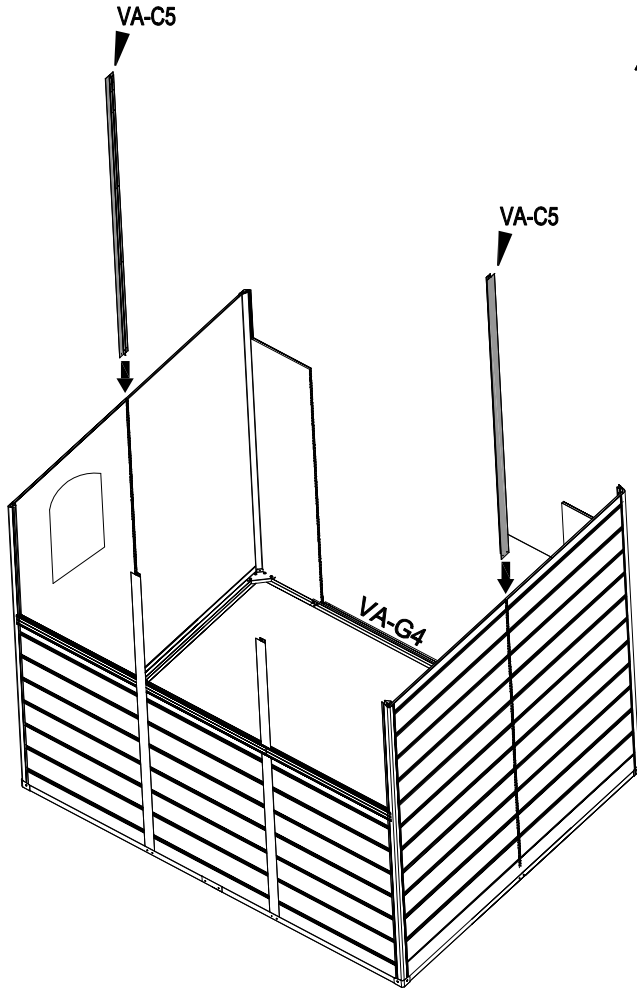
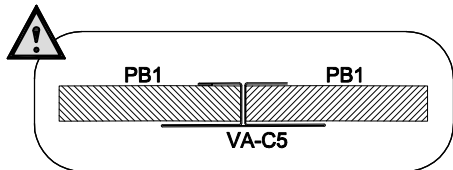
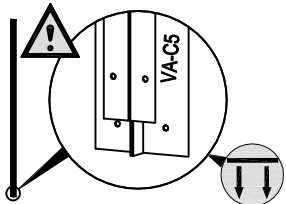
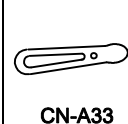
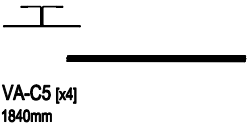
13




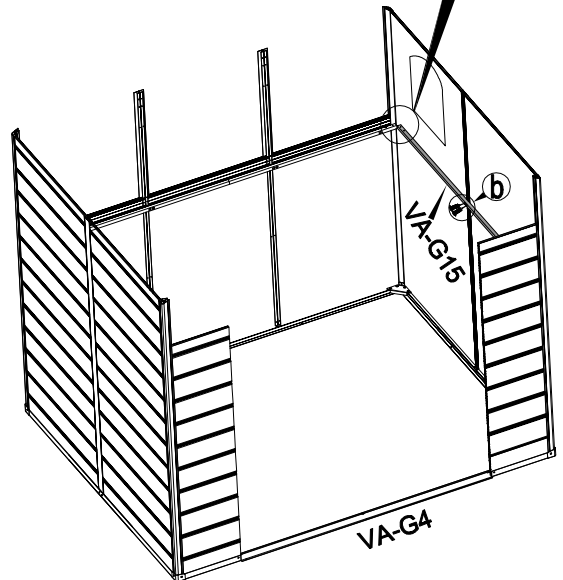
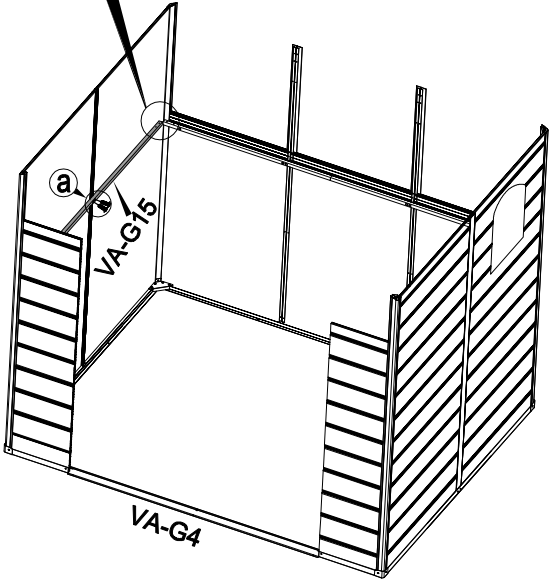
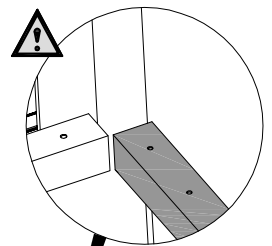
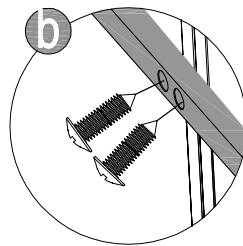
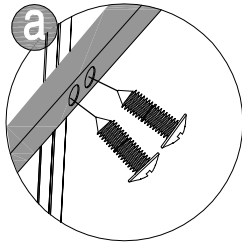
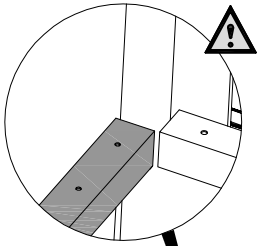
VA-G44 [x4]
13mm



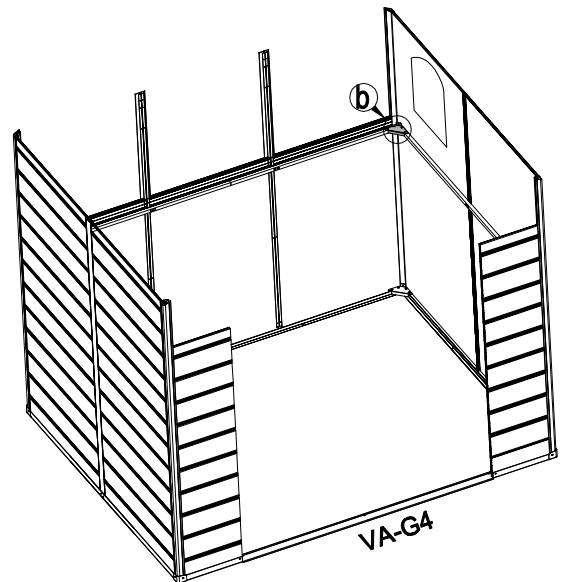
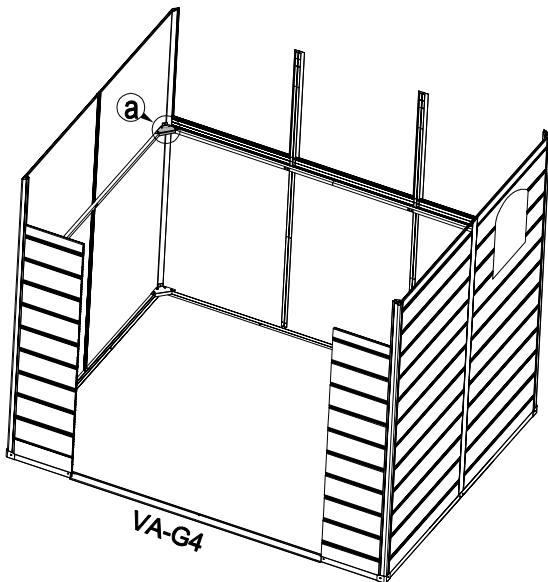
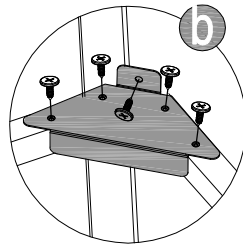
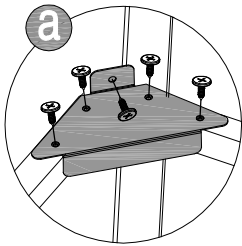
14



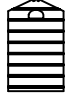

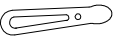


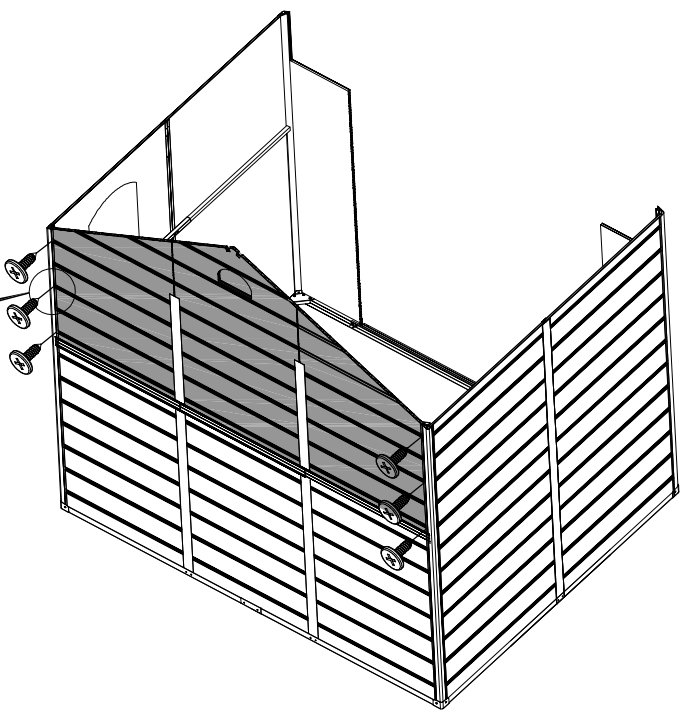
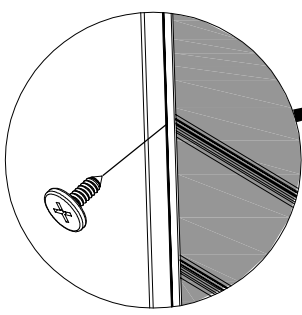
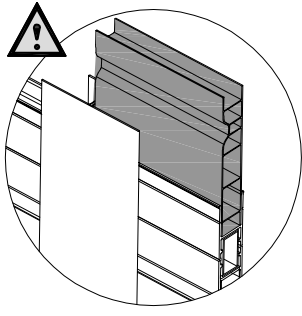
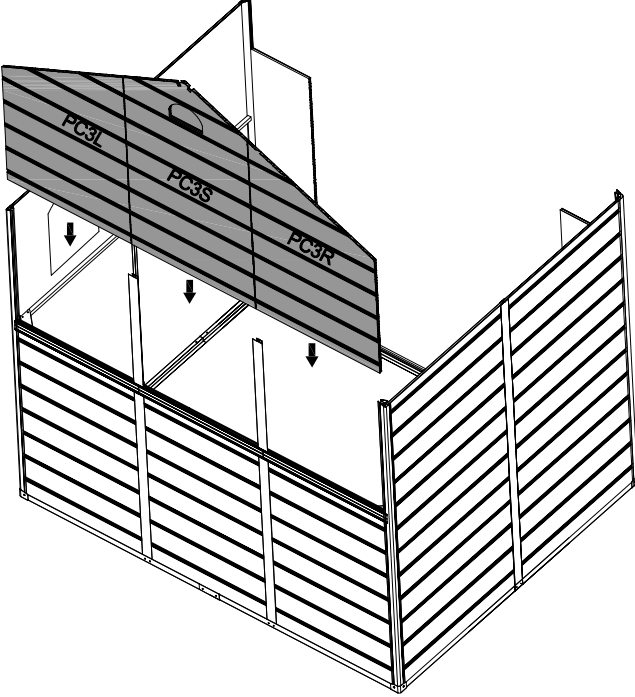
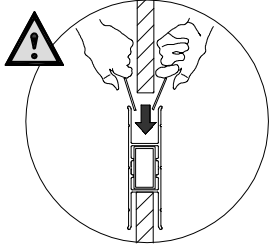
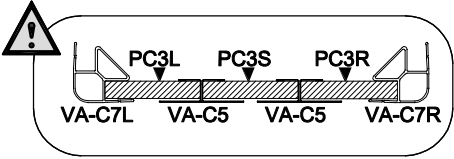
15		
	VA-G15 [x2] 1723mm	VA-G49 [x4] 13mm






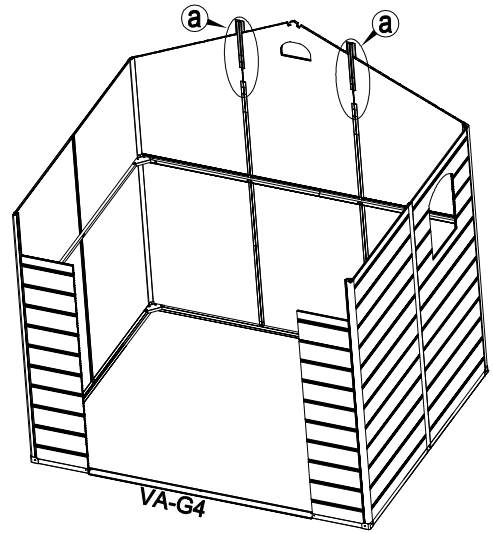
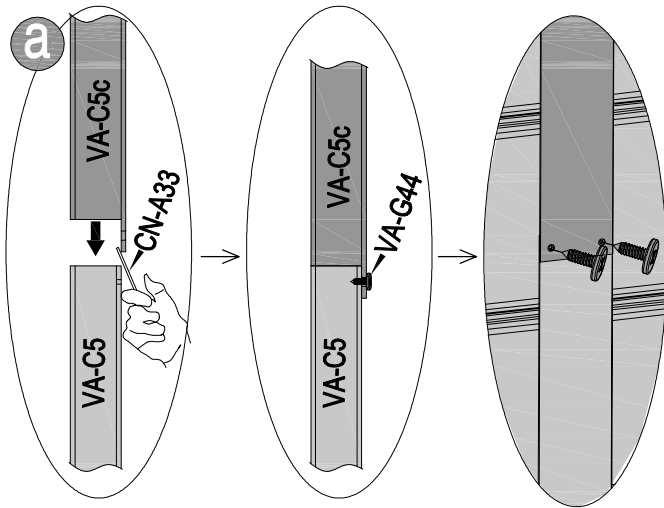
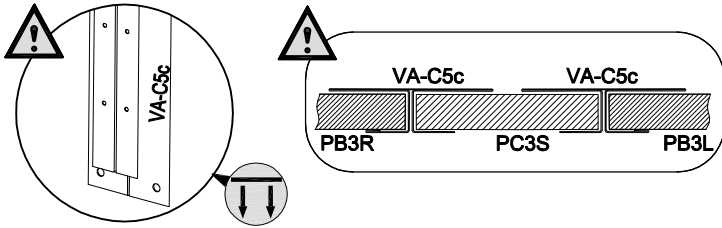
16		
	VA-30 [x2]	VA-G44 [x10] 13mm




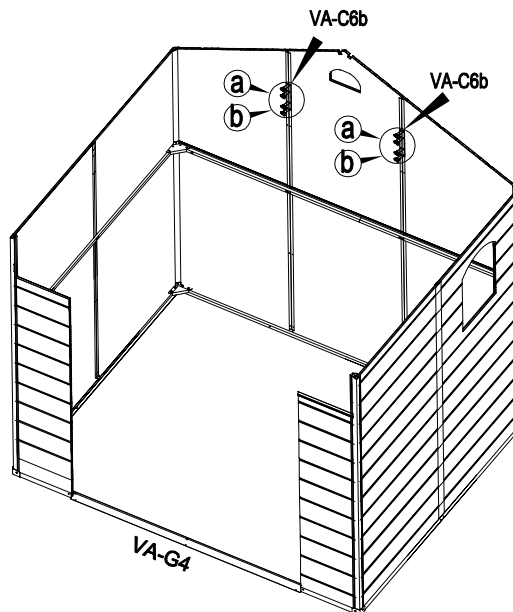
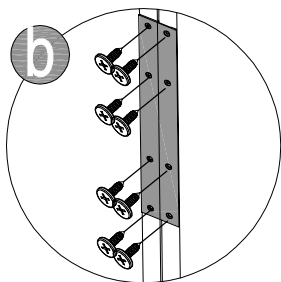
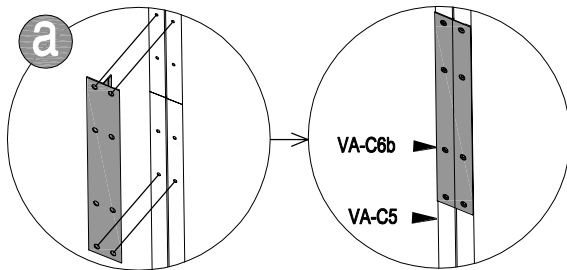
17	 PC3L [x1] 743x1072mm	 PC3R [x1] 743x1072mm	 PC3S [x1] 743x1248mm	 VA-G45 [x6] 19mm	 CN-A33
----	--	--	--	--	---


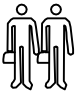


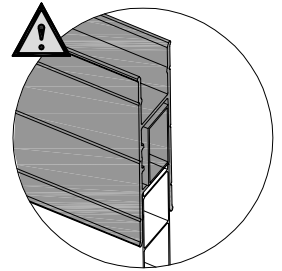
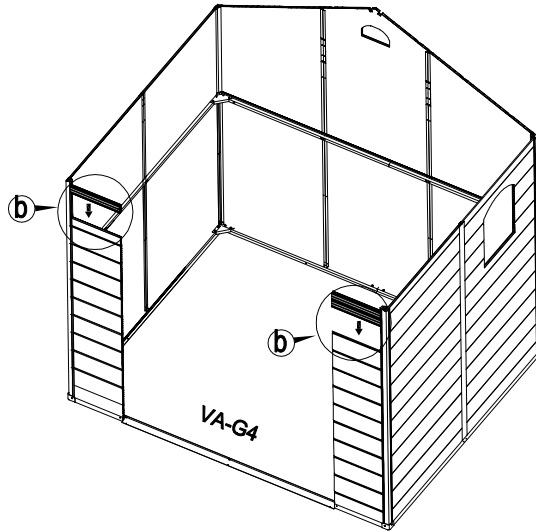
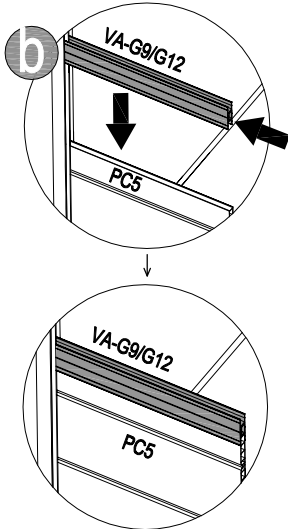
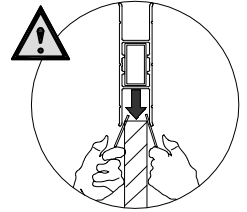
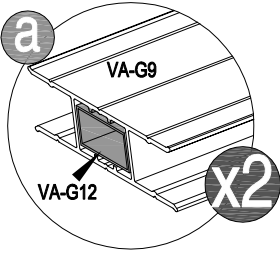
18	 VA-C5c [x2] 365mm	 VA-G44 [x4] 13mm	 CN-A33
----	---	--	---


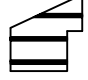


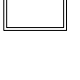



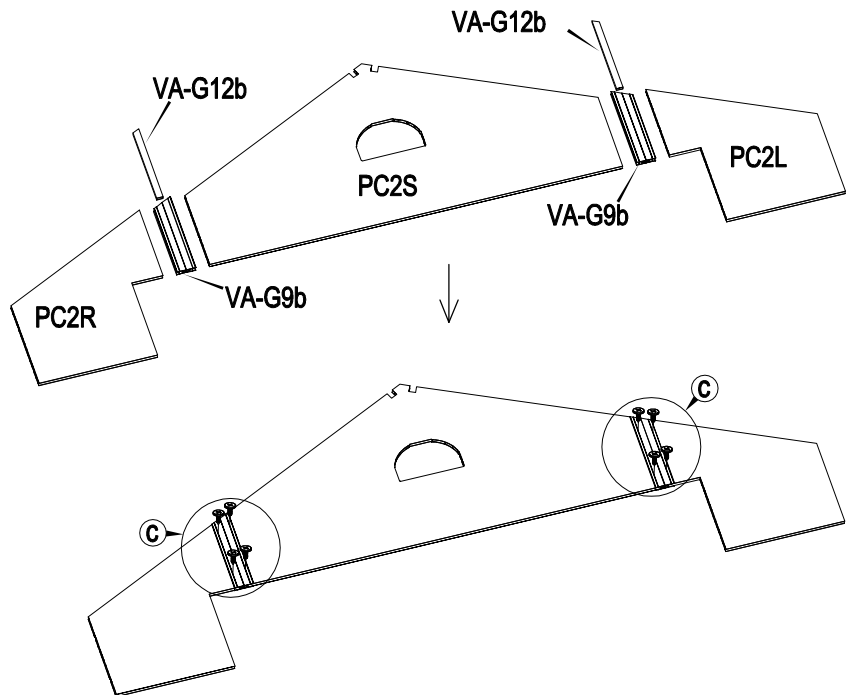
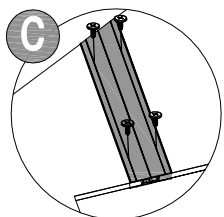
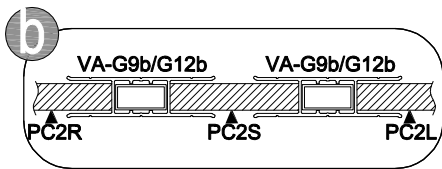
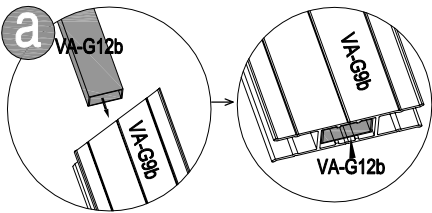
19	 VA-C6b [x2] 200mm	 VA-G44 [x16] 13mm	
----	---	---	--





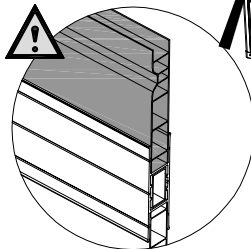
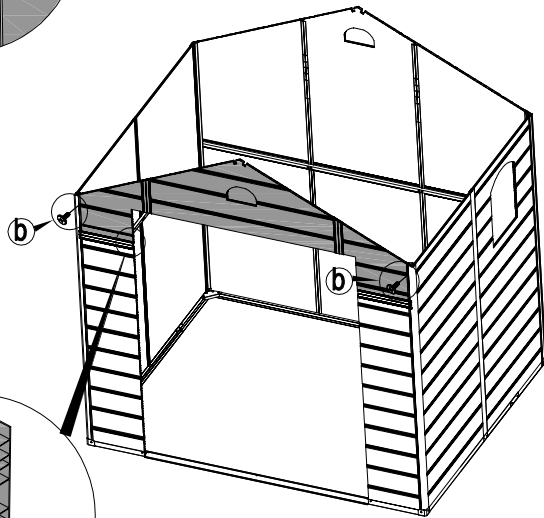
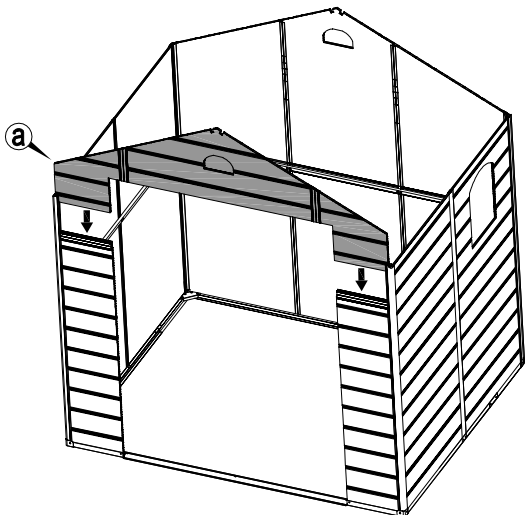
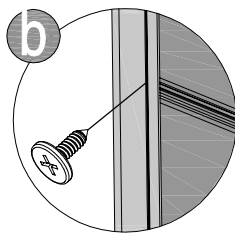
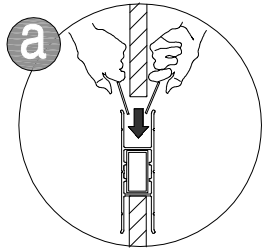
20					CN-A33	
	VA-G9 [x2] 360mm	VA-G12 [x2] 360mm				






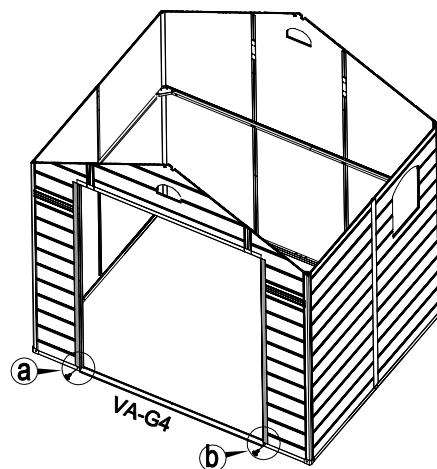
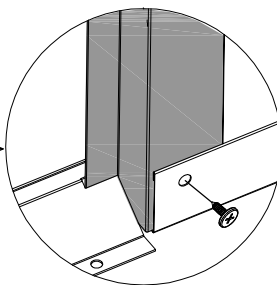
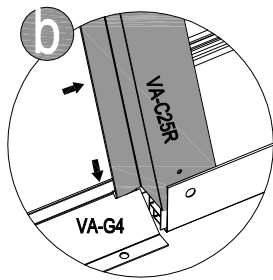
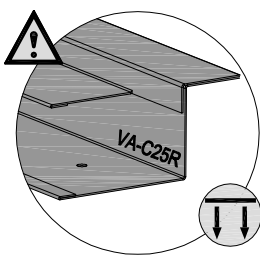
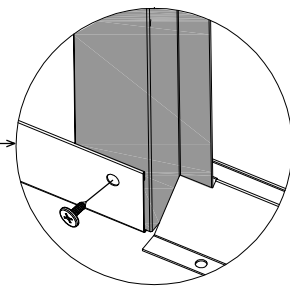
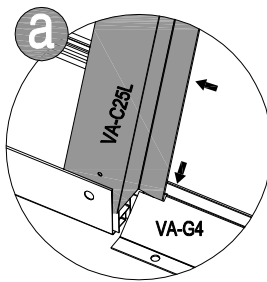
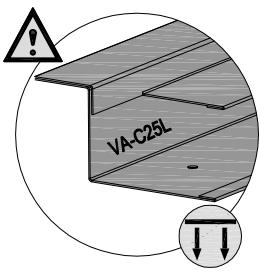
21						
	PC2S [x1] 1270x542mm	PC2L [x1] 461x492mm	PC2R [x1] 461x492mm	VA-G9b [x2] 254mm	VA-G12b [x2] 225mm	VA-G44 [x8] 13mm



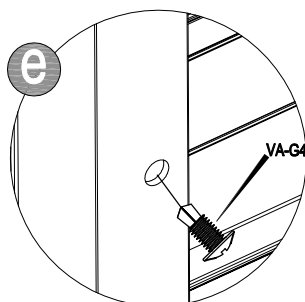
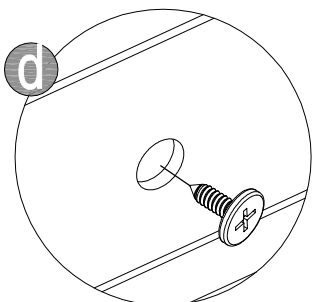
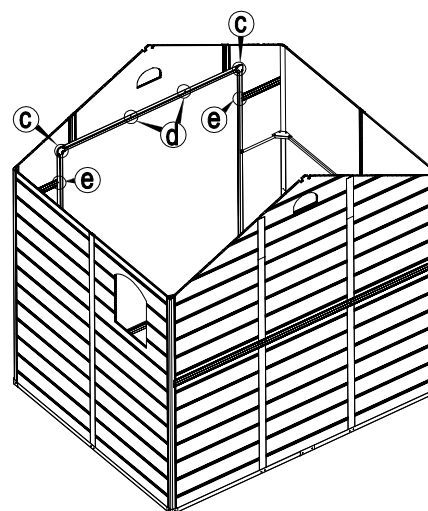
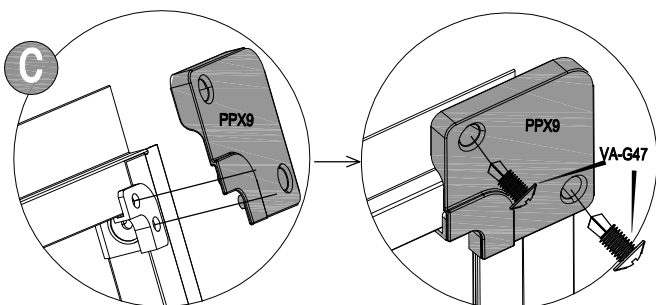
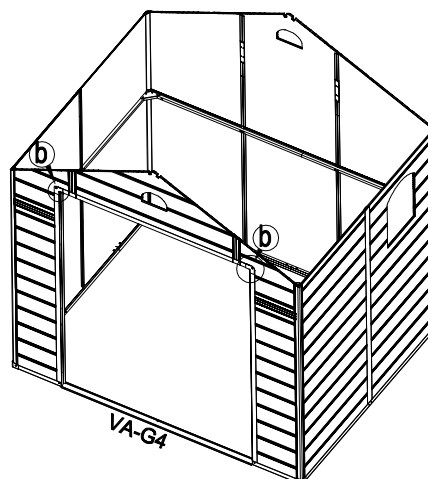
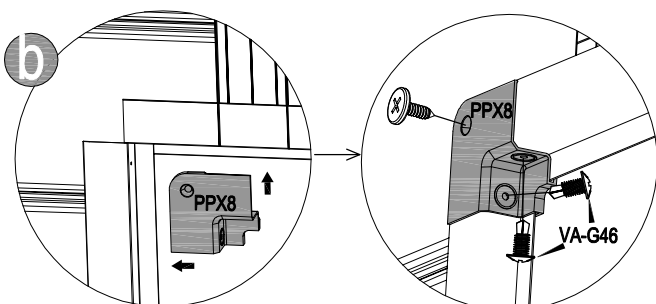
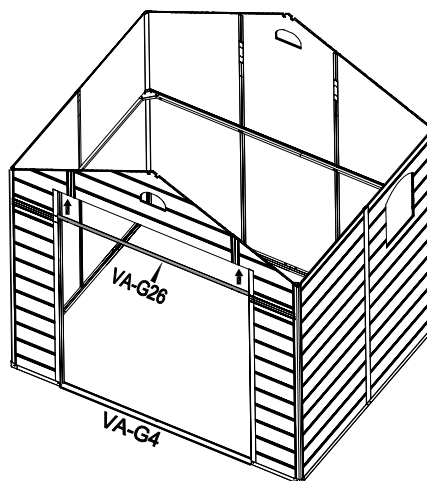
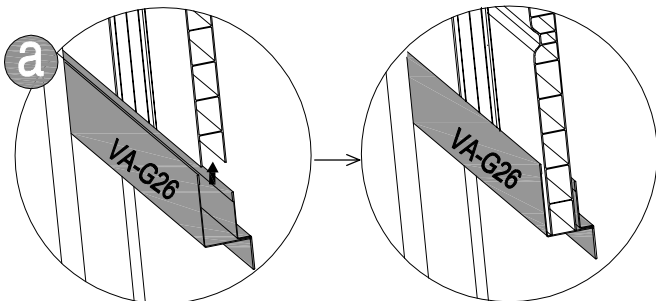
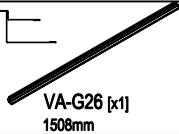
22	 VA-G45 [x2] 13mm		 CN-A33		
----	--	--	---	---	---

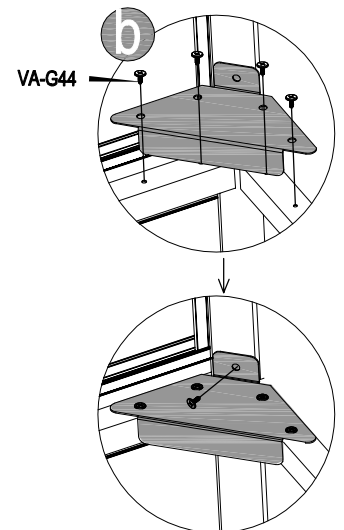
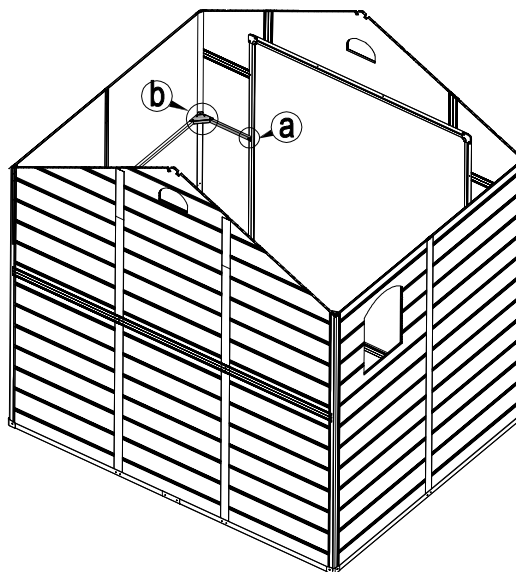
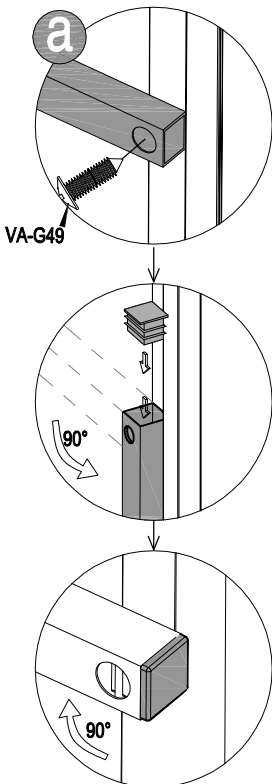
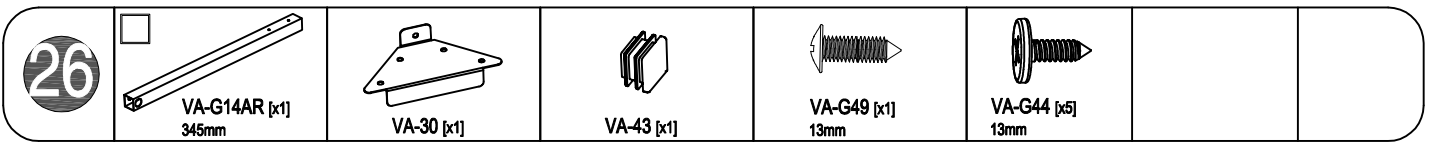
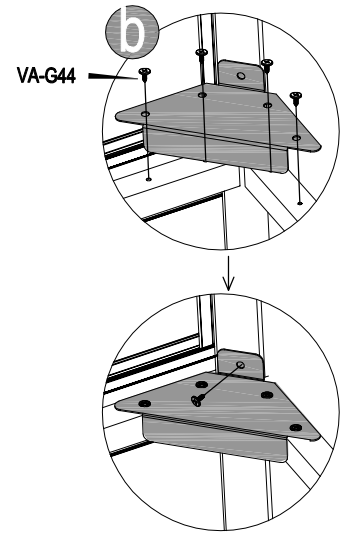
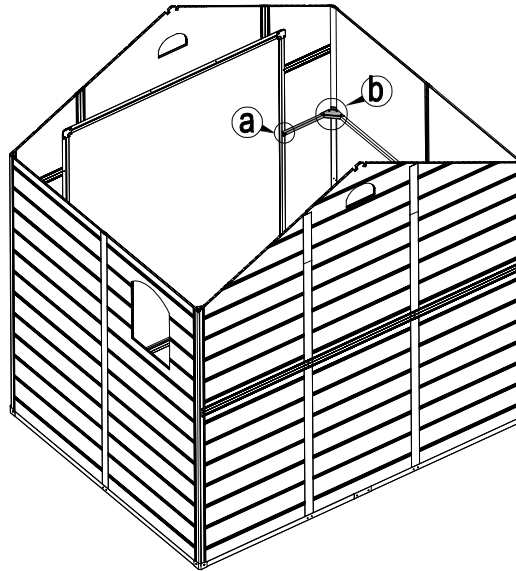
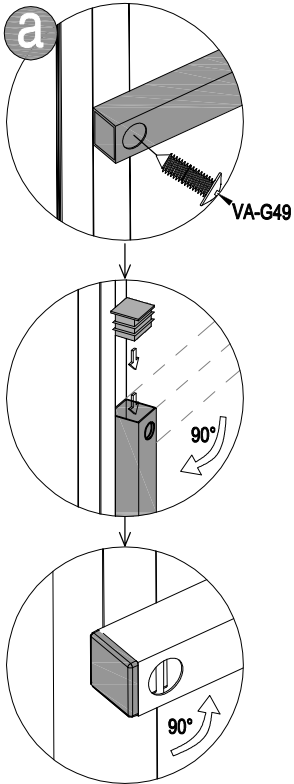
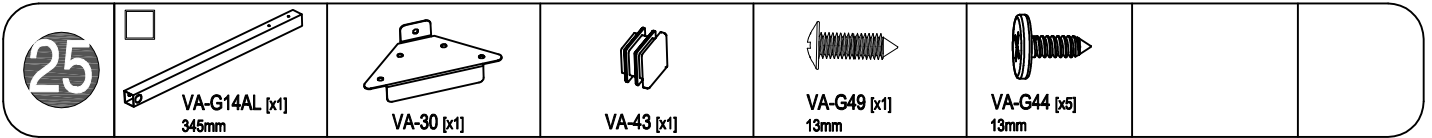


23	 VA-C25L [x1] 1830mm	 VA-C25R [x1] 1830mm	 VA-G44 [x2] 13mm	
----	---	---	--	--



24

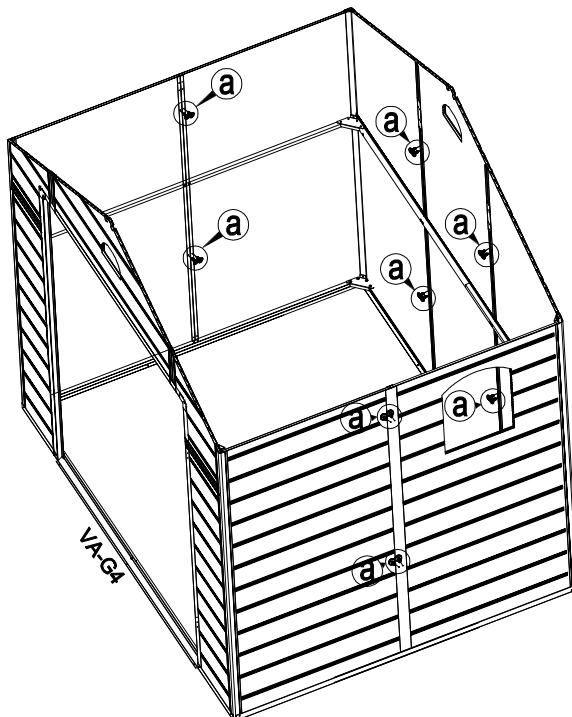
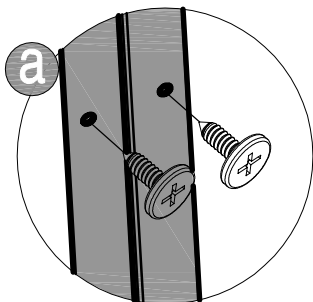




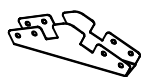
27



VA-G44 [x16]
13mm



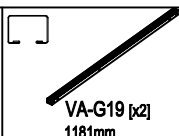
28



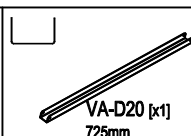
VA-34 [x1]



VA-33 [x2]



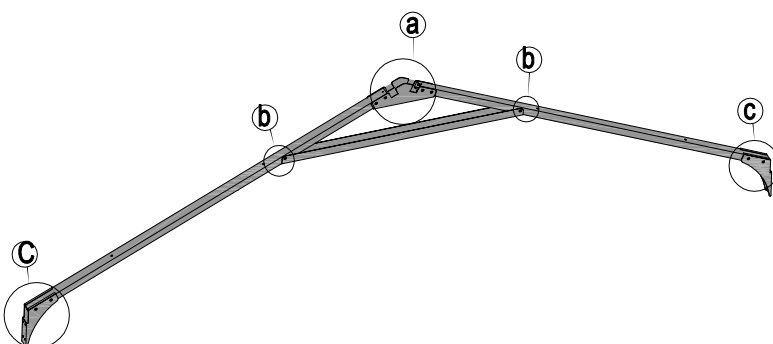
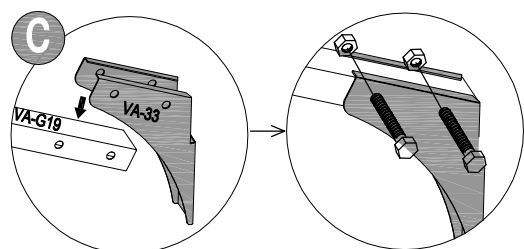
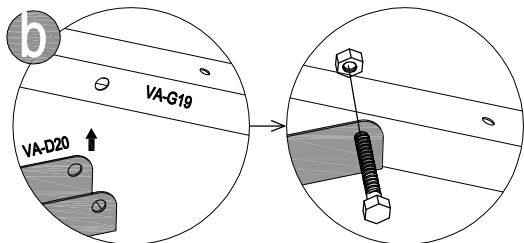
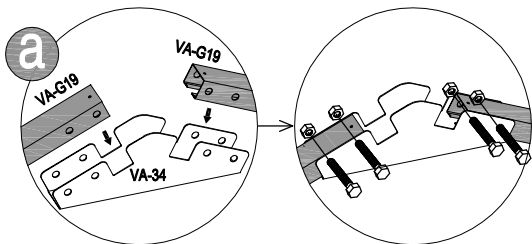
VA-G19 [x2]
1181mm



VA-D20 [x1]
725mm



VA-G50 [x10]
40mm



29



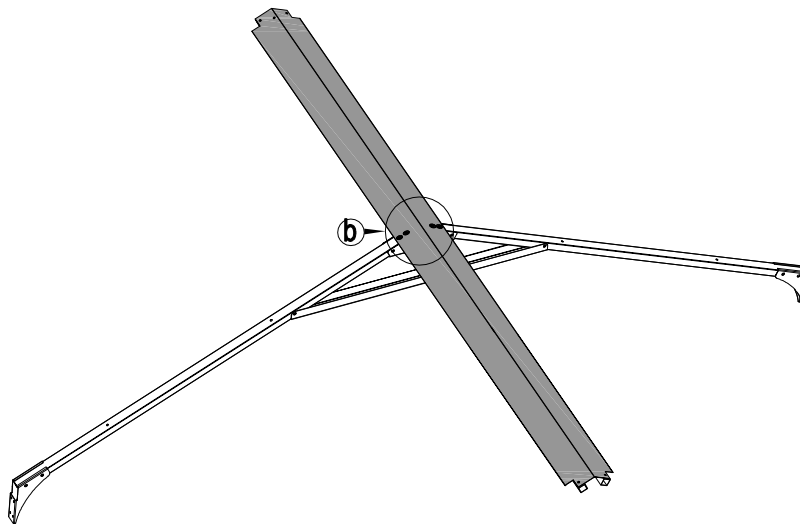
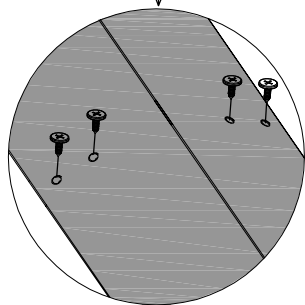
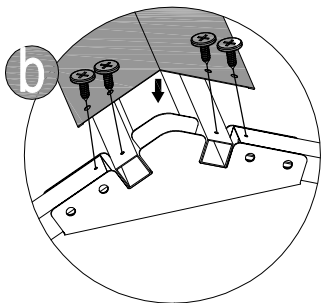
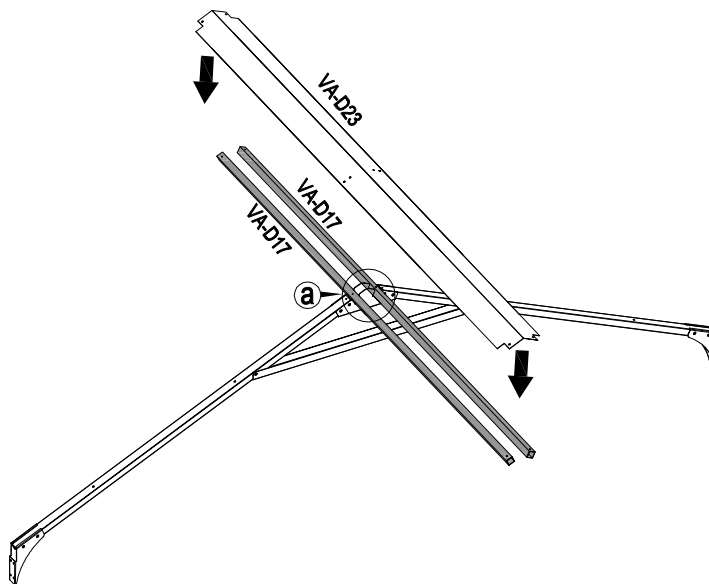
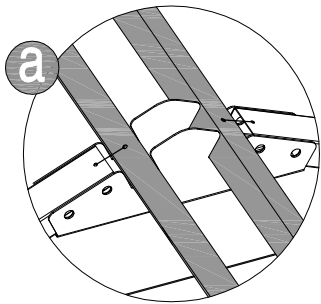
VA-D23 [x1]
1797mm



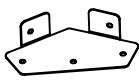
VA-D17 [x2]
1797mm



VA-G44 [x4]
13mm



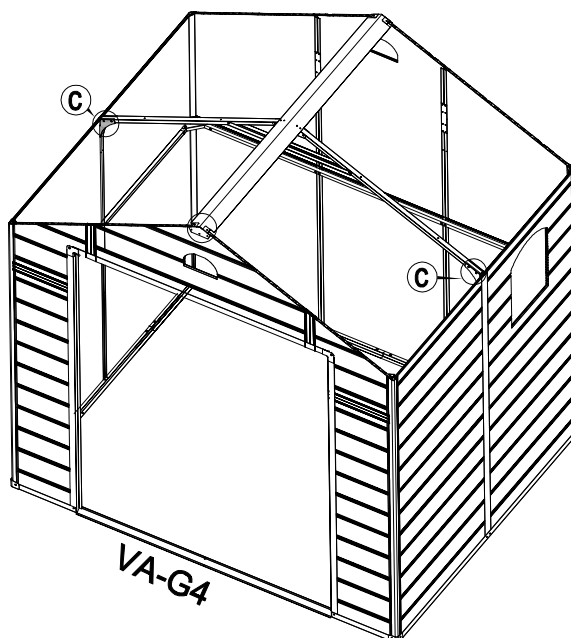
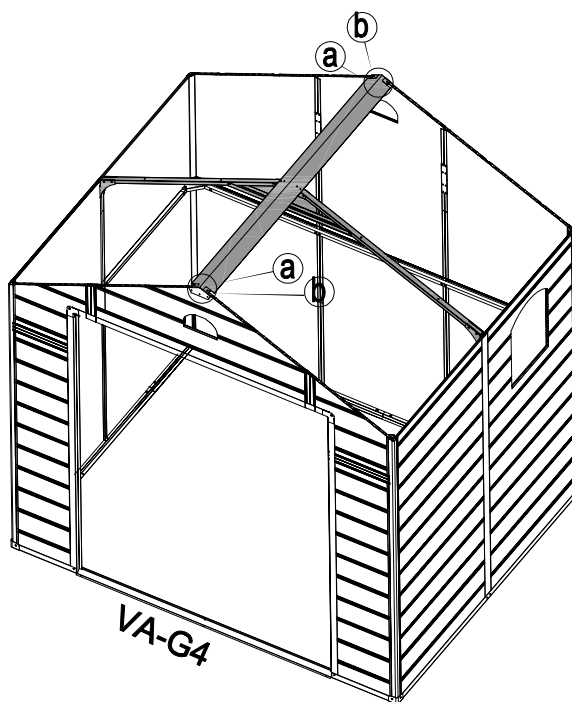
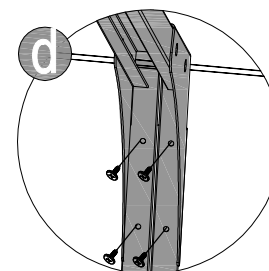
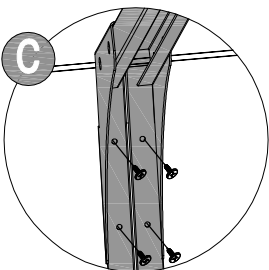
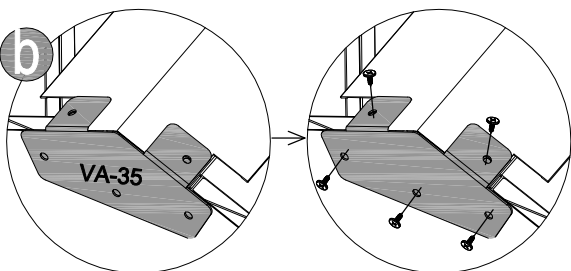
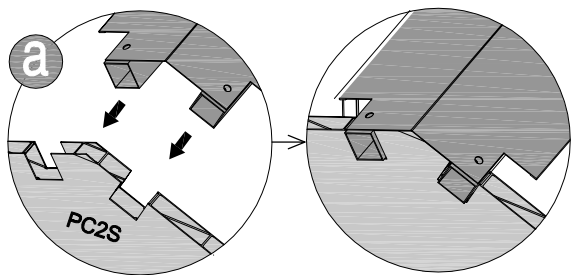
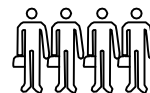
30





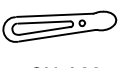


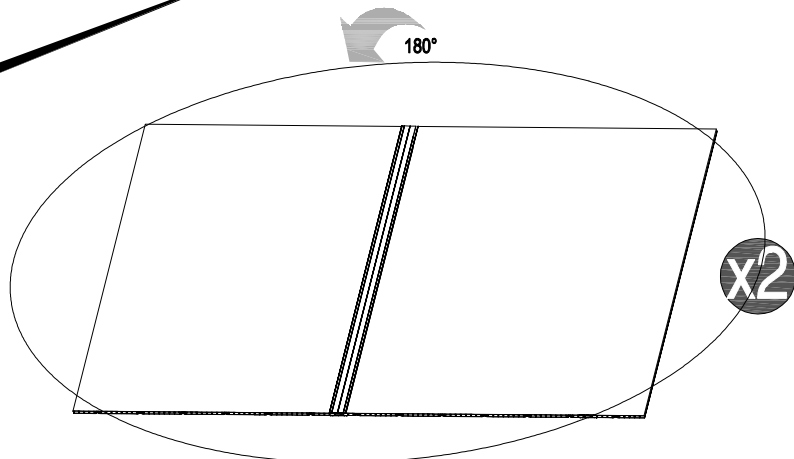
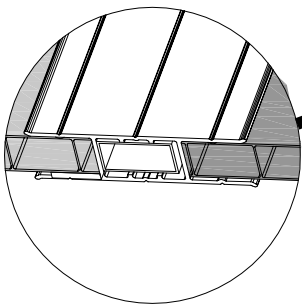
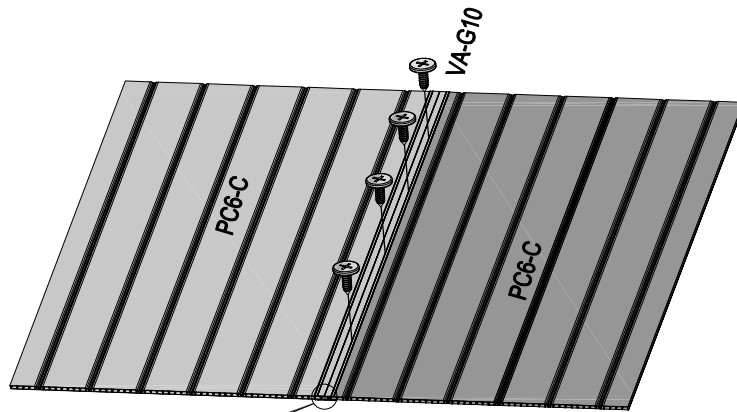
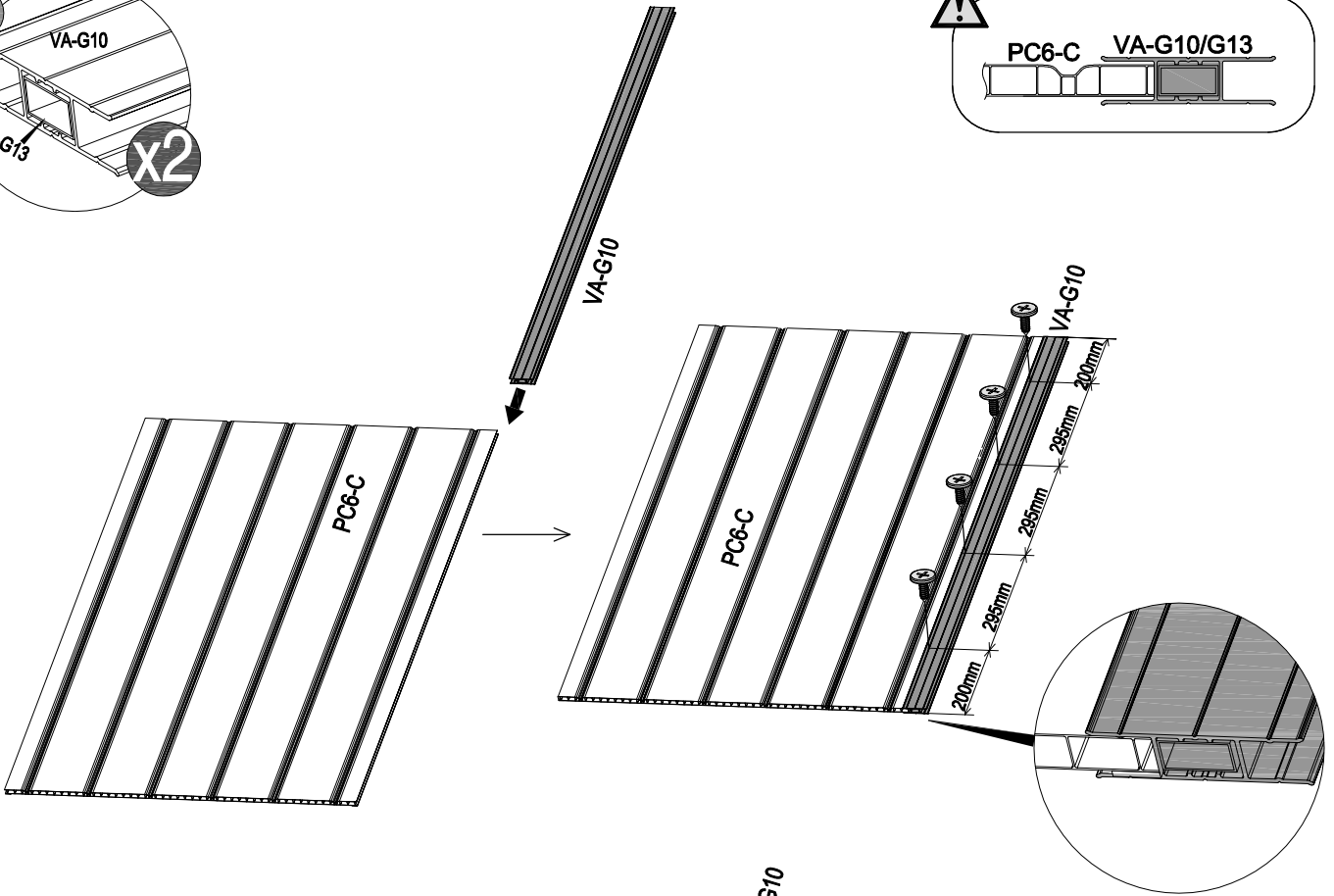
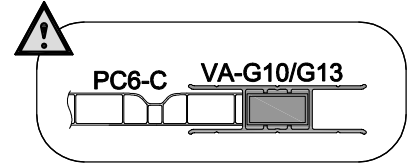
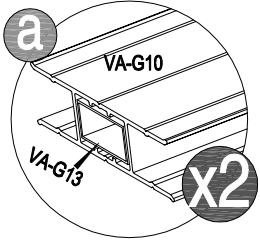
VA-35 [x2]



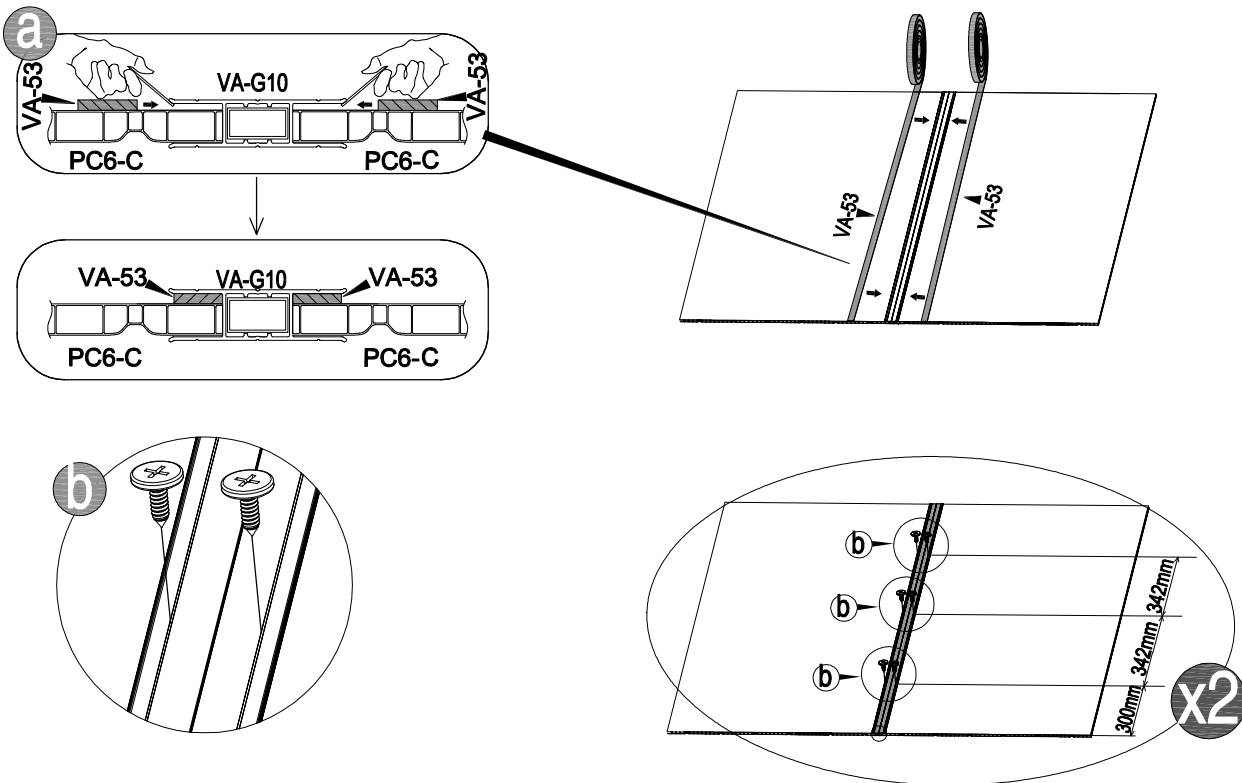
VA-G44 [x18]
13mm





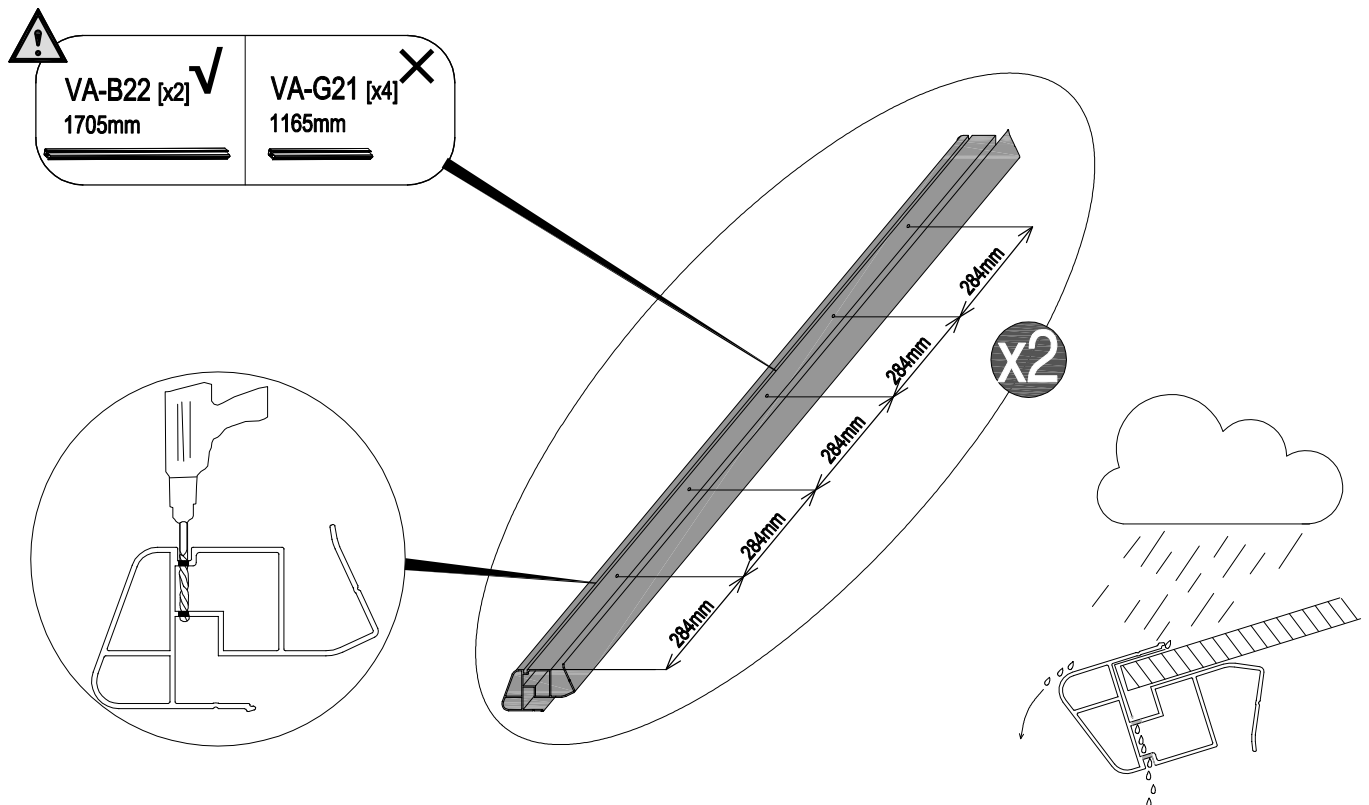
31	 PC6-C [x4] 1285x920mm	 VA-G10 [x2] 1285mm	 VA-G13 [x2] 1285mm	 VA-G44 [x16] 13mm	 CN-A33
----	---	--	--	---	---







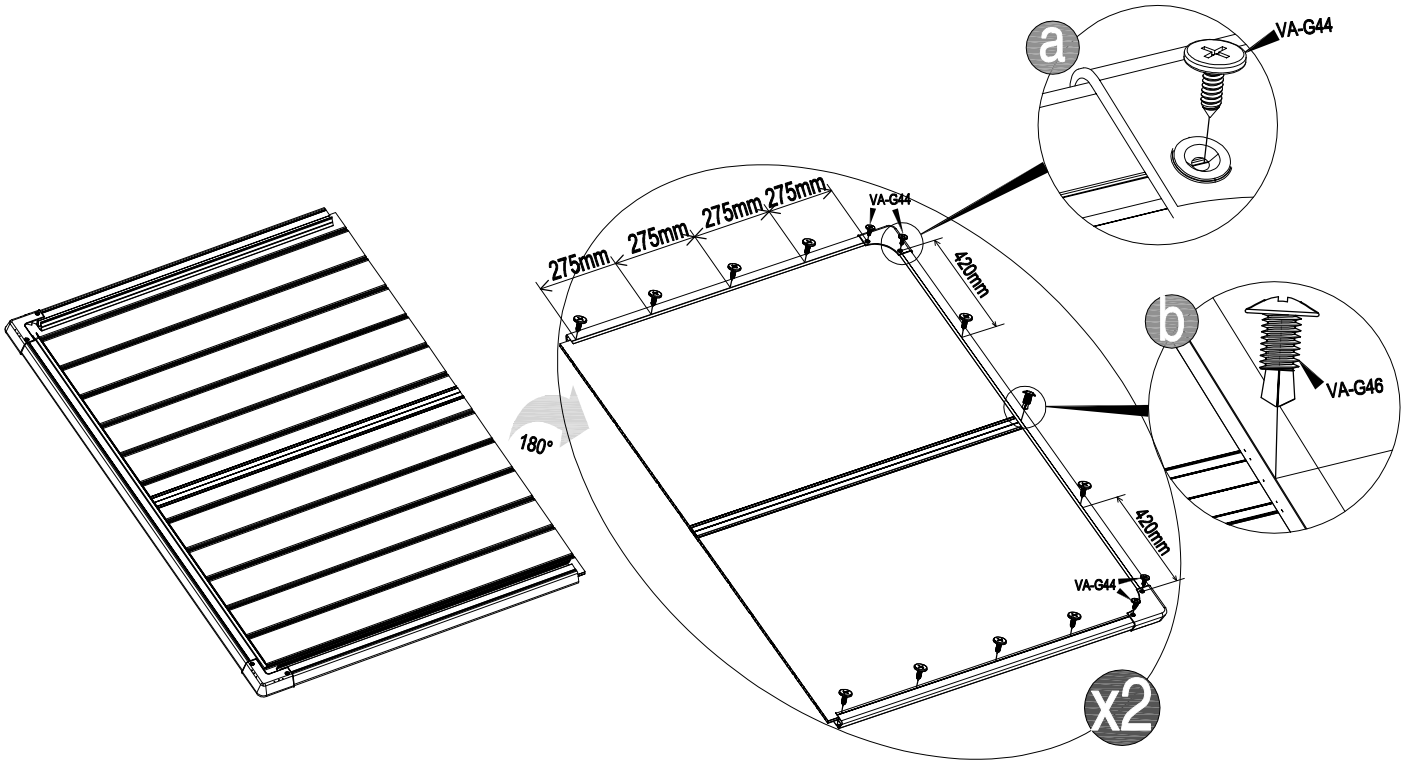
32	 VA-53 [x1]	 VA-G44 [x12] 12mm		 CN-A33
----	---	---	--	---


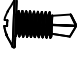



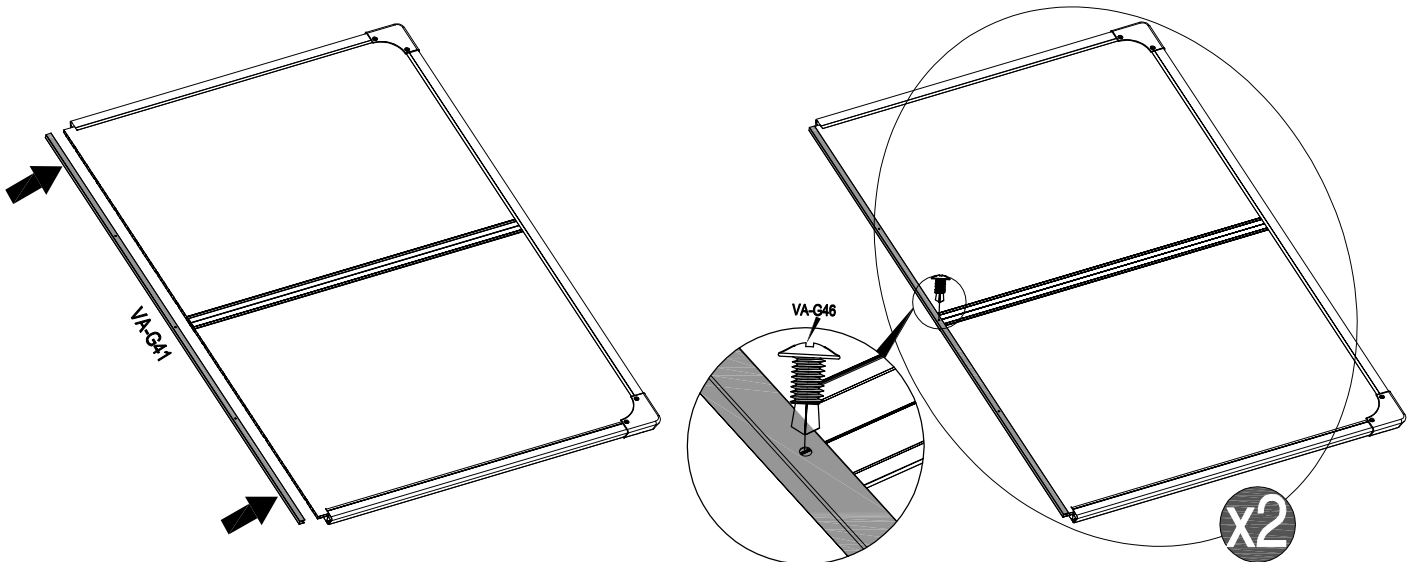
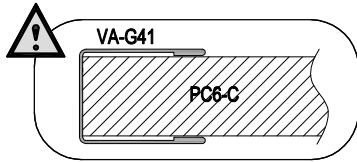
33	 VA-B22 [x2] 1705mm	 Ø8mm		
----	--	---	--	--

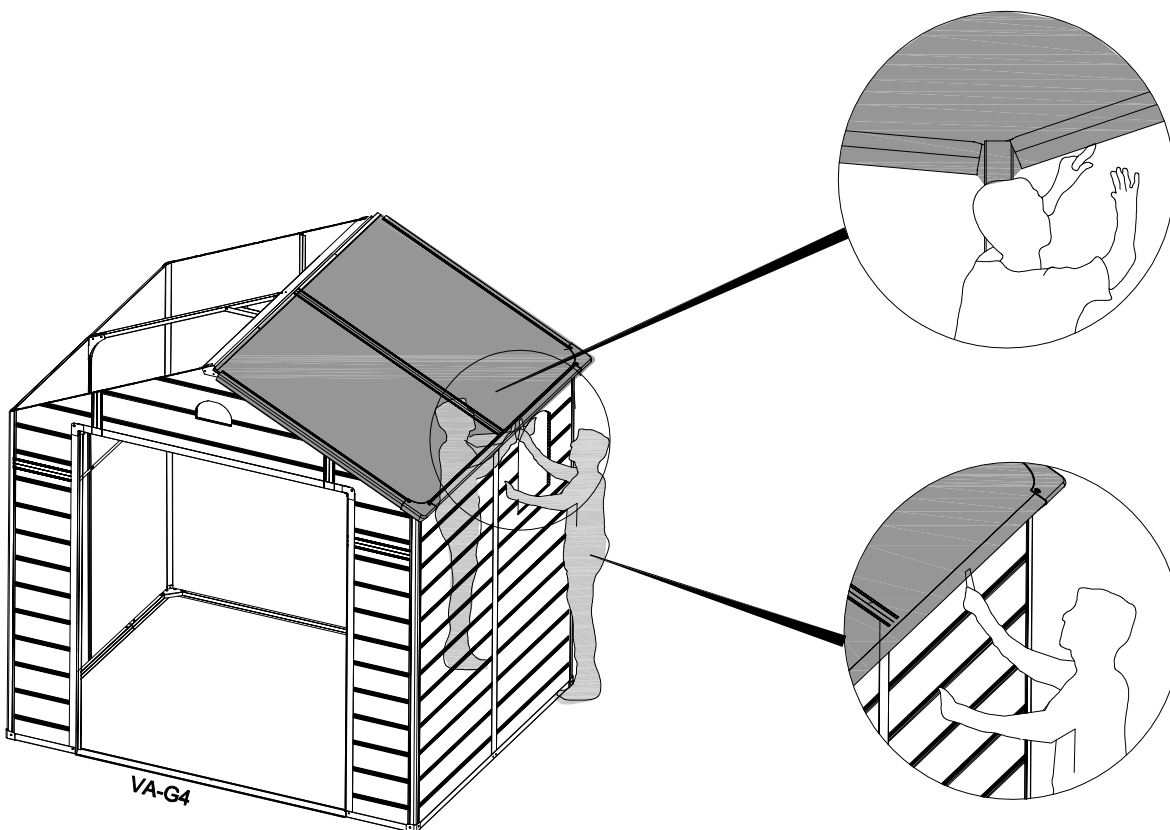
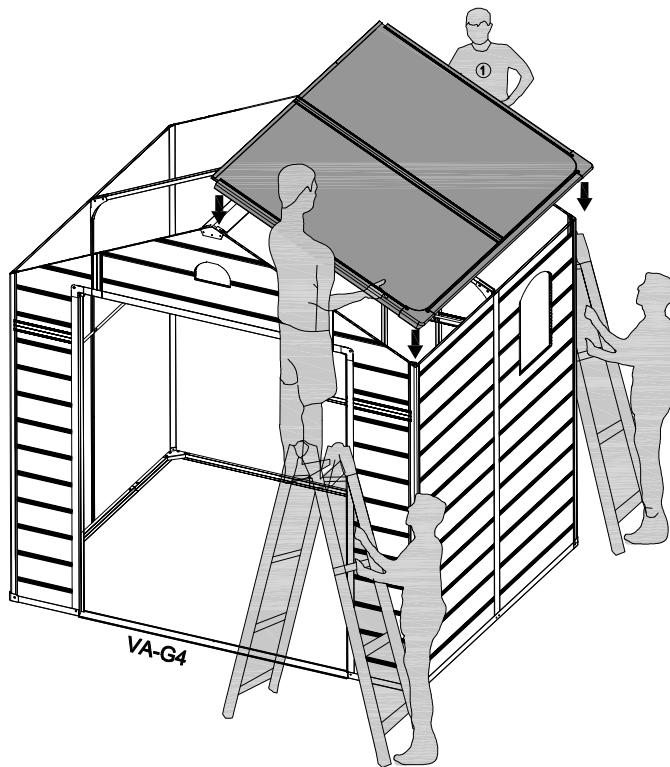
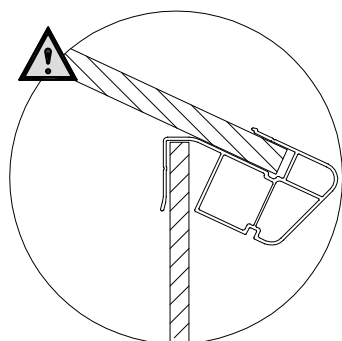
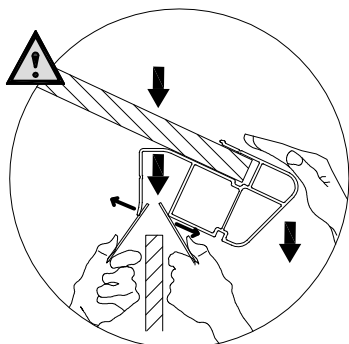
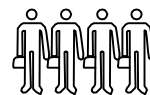


36	 VA-G44 [x8] 13mm	 VA-G45 [x20] 19mm	 VA-G46 [x2] 13mm	 CN-A33
----	--	---	--	---



37	 VA-G41 [x2] 1864mm	 VA-G46 [x2] 13mm		 CN-A33
----	--	--	--	---

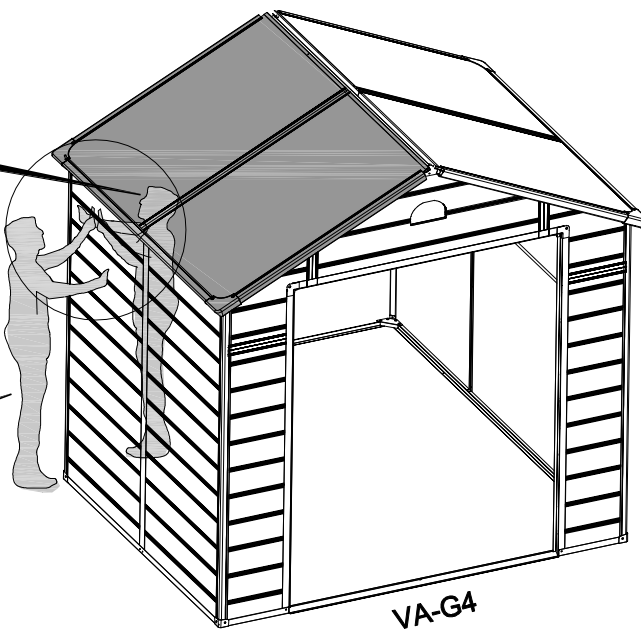
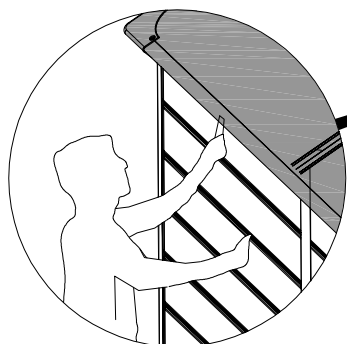
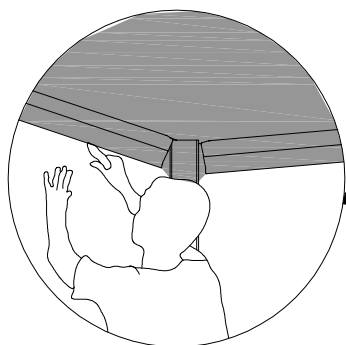
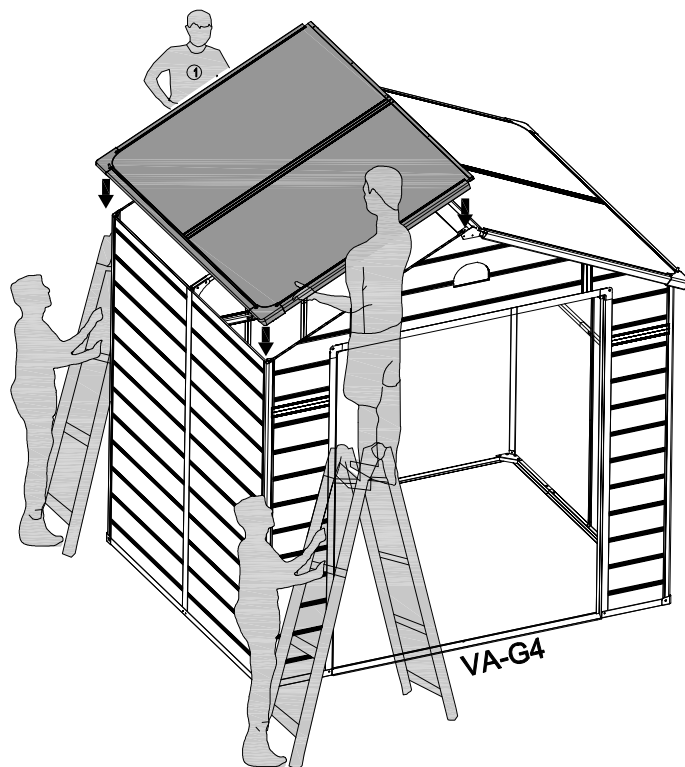
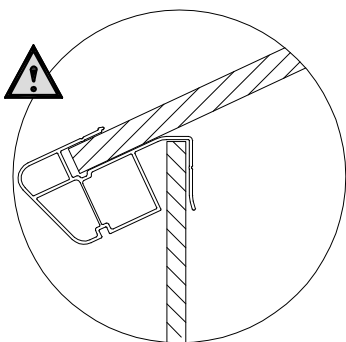
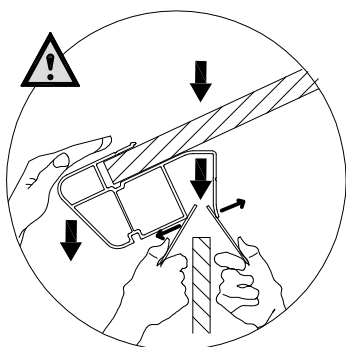
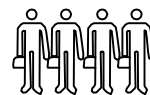




39



CN-A33



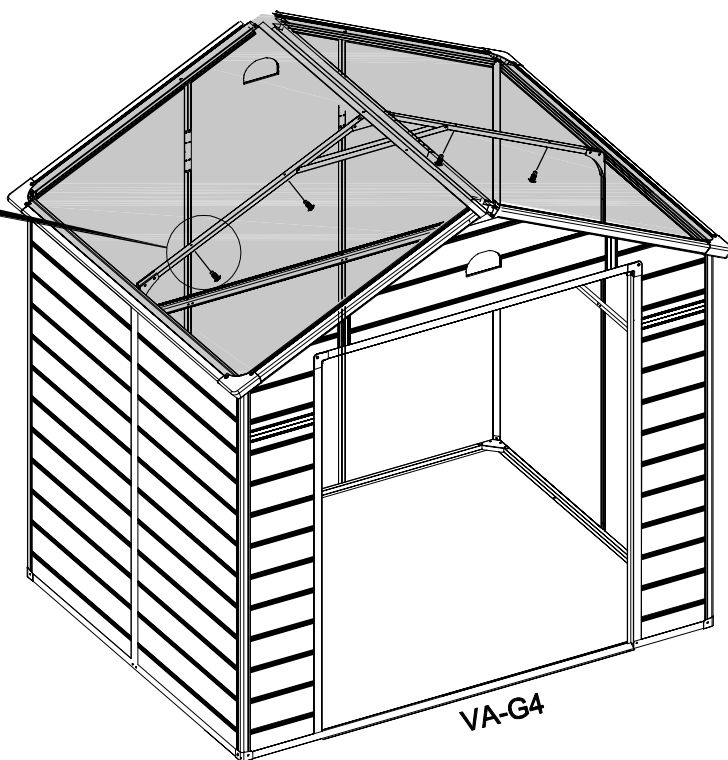
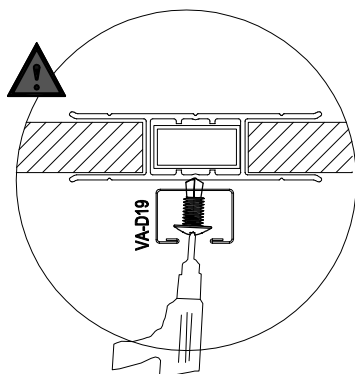
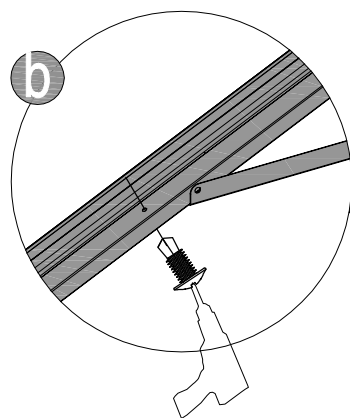
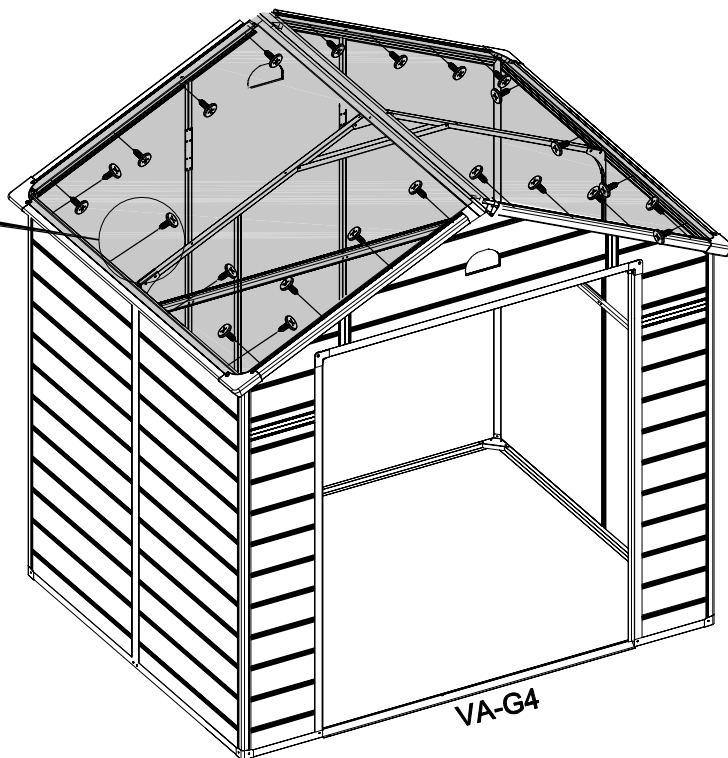
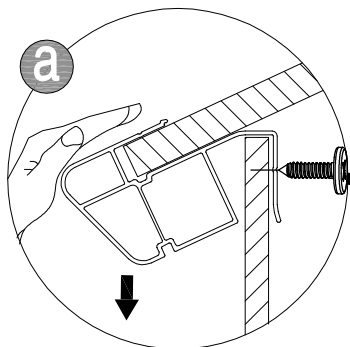
40



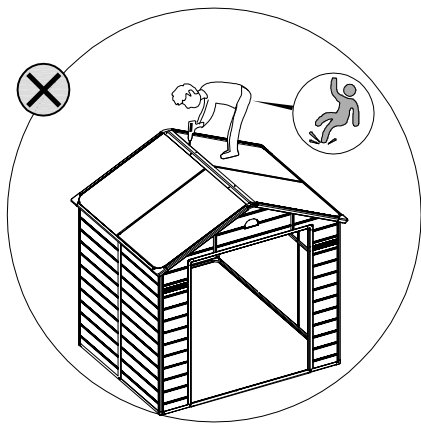
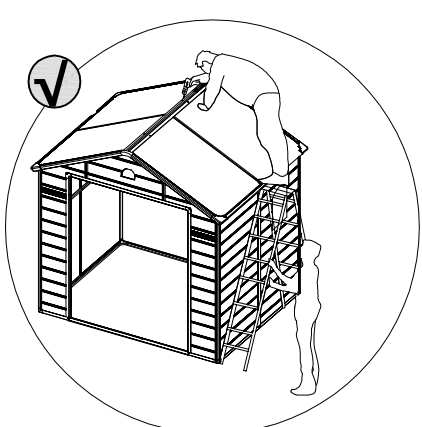
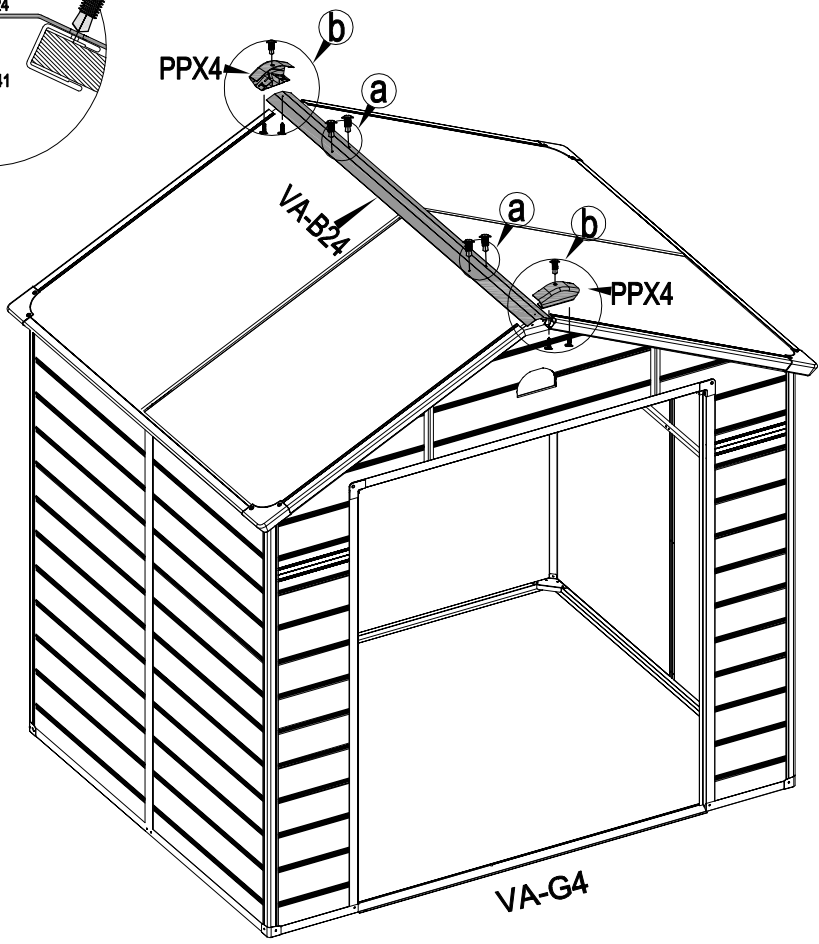
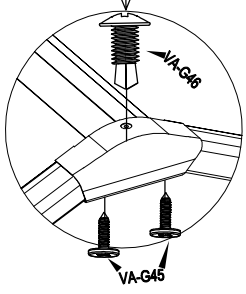
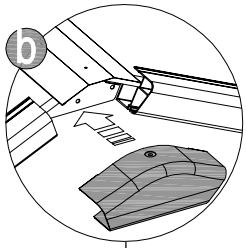
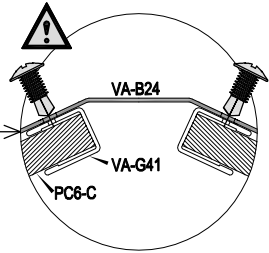
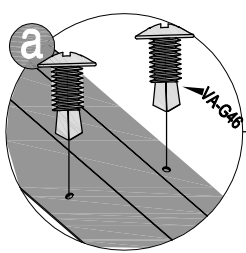
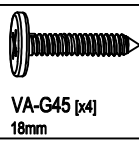
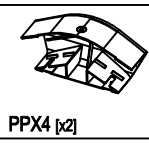
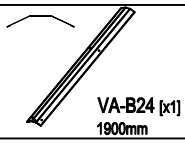
VA-G45 [x24]
19mm



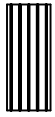
VA-G46 [x4]
13mm



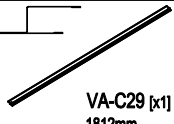
41



42



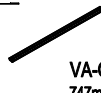
PC7S [x1]
1810x746mm



VA-C29 [x1]
1812mm



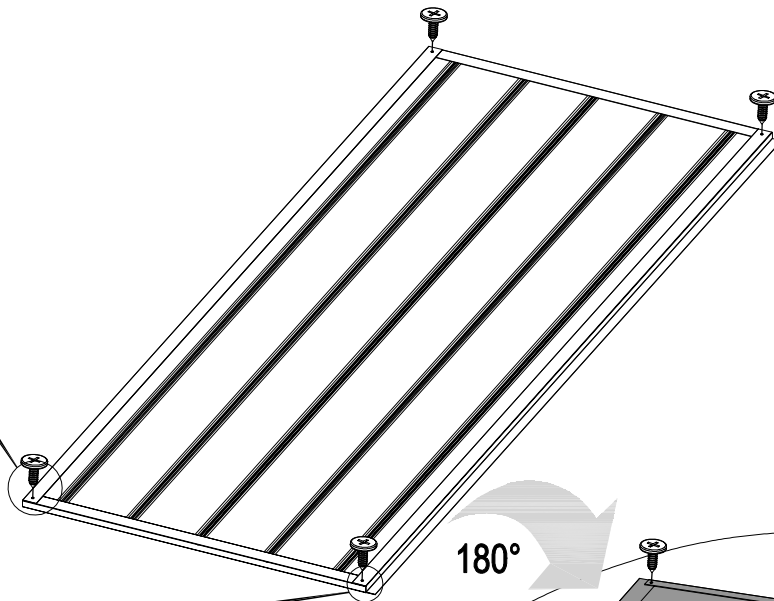
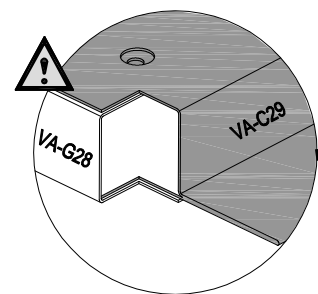
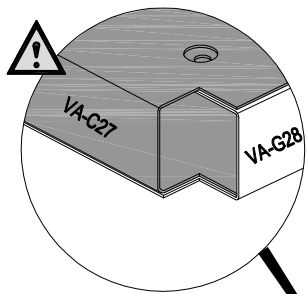
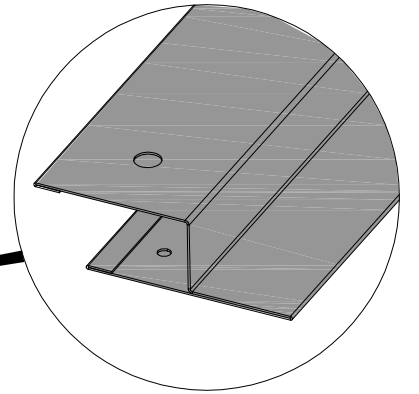
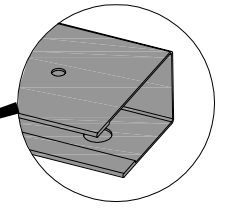
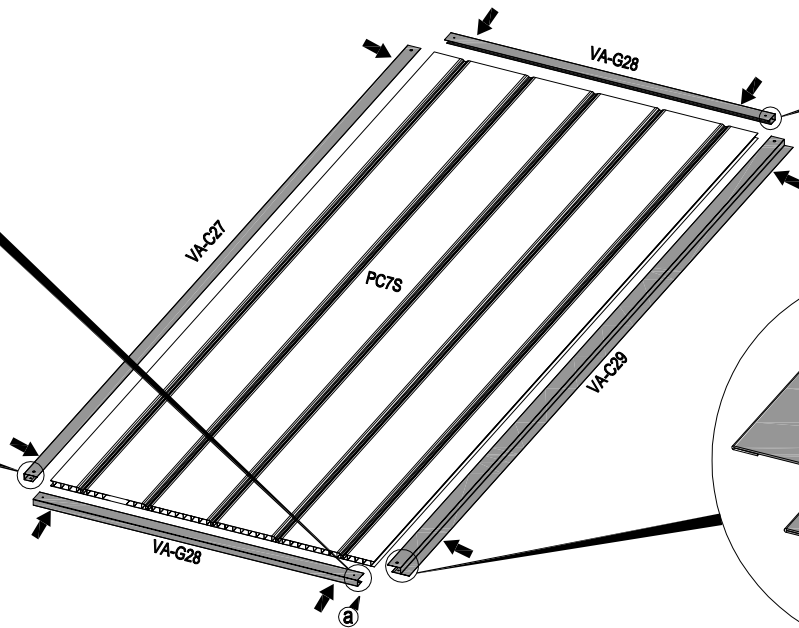
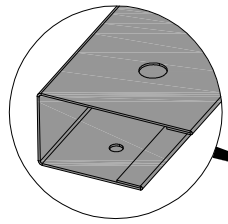
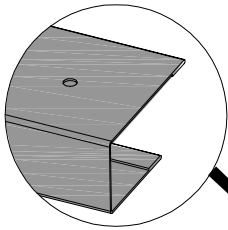
VA-C27 [x1]
1812mm



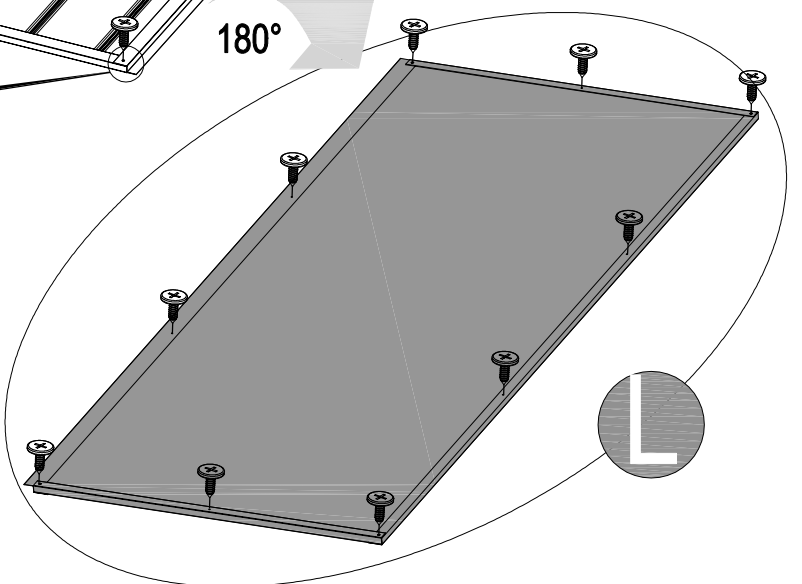
VA-G28 [x2]
747mm



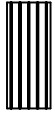
VA-G44 [x14]
13mm



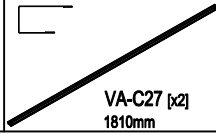
180°



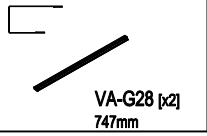
43



PC7S [x1]
1810x746mm



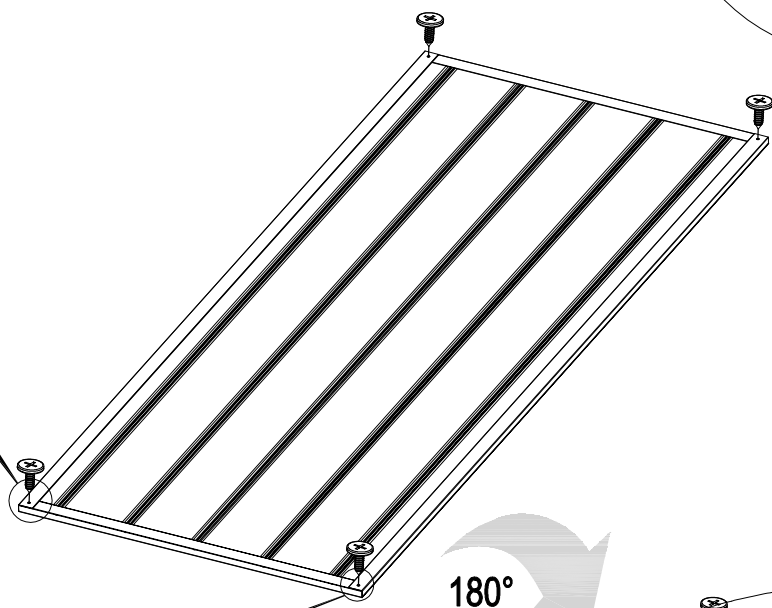
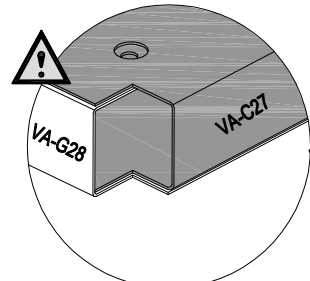
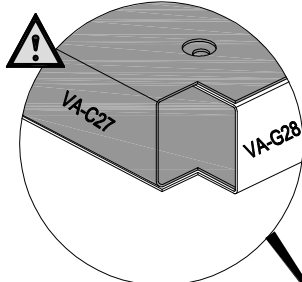
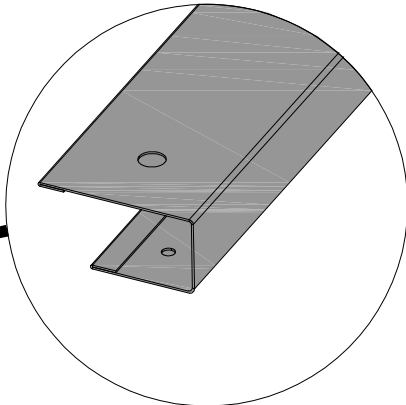
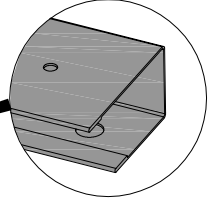
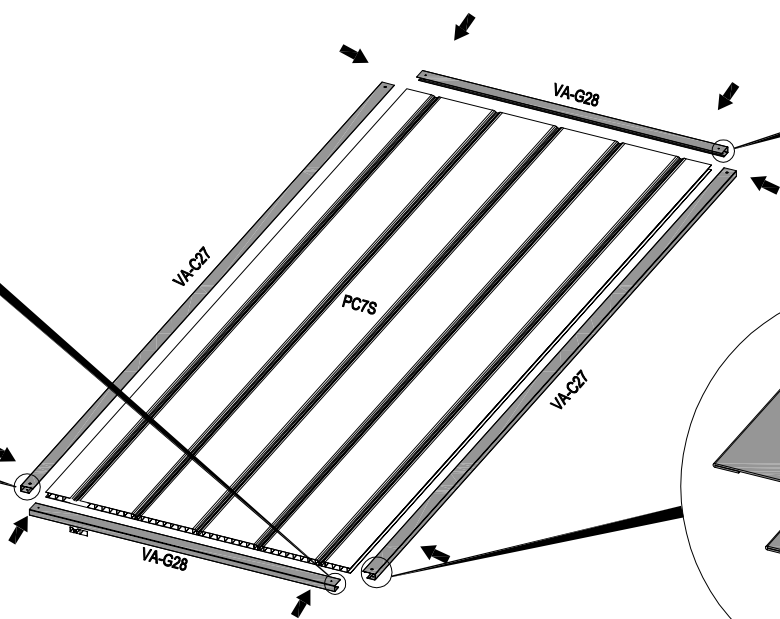
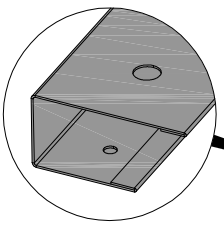
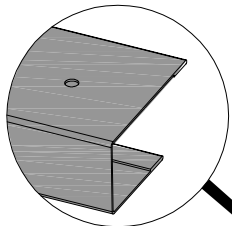
VA-C27 [x2]
1810mm



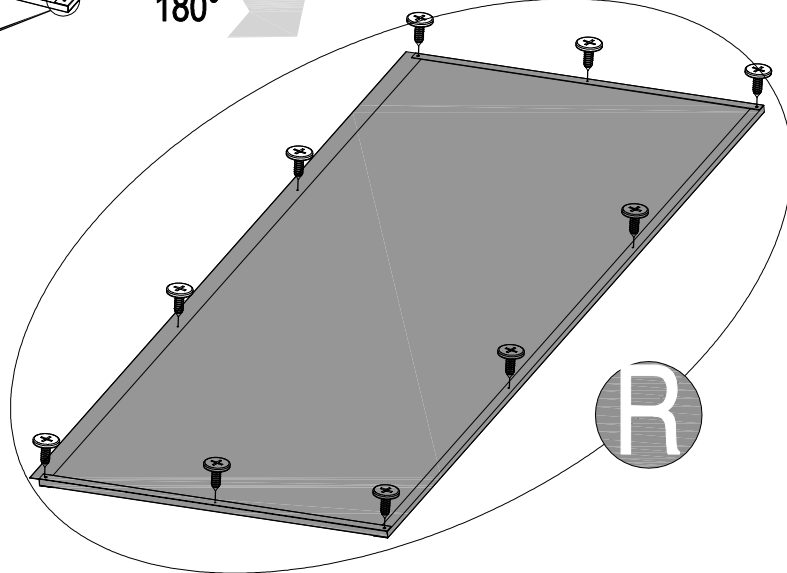
VA-G28 [x2]
747mm



VA-G44 [x14]
13mm



180°



44



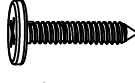
VA-41 [x4]



VA-40 [x1]



PA01 [x3]



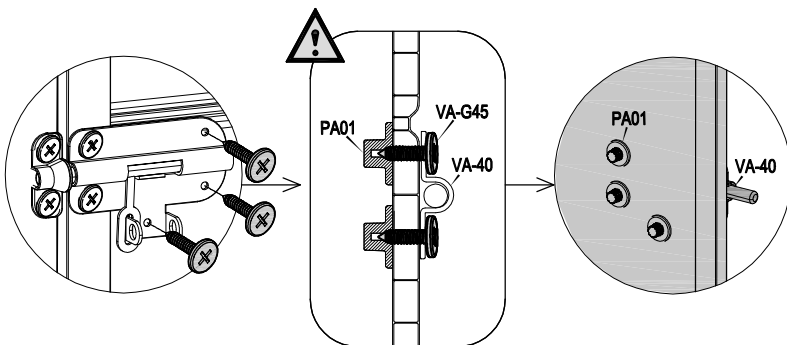
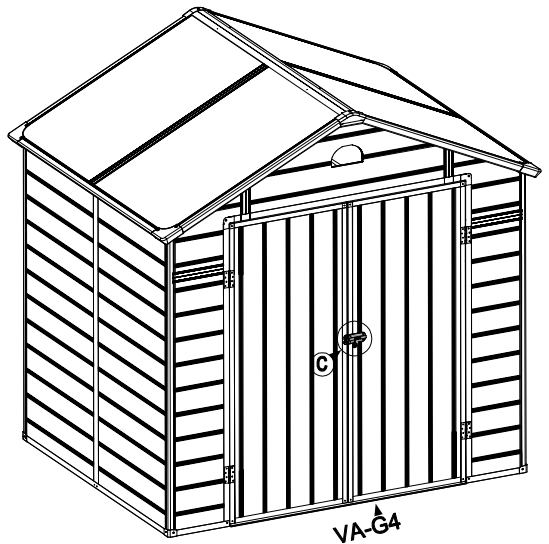
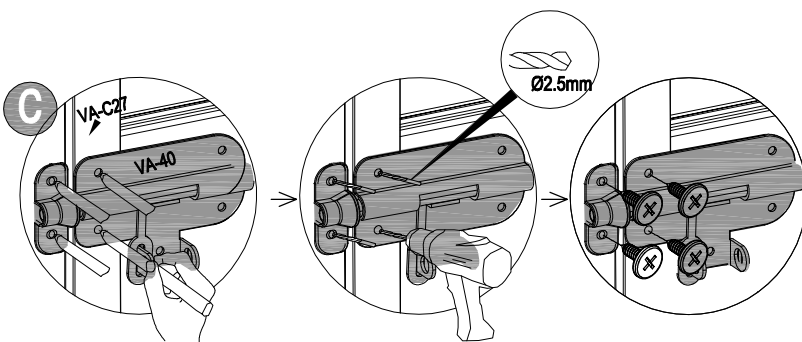
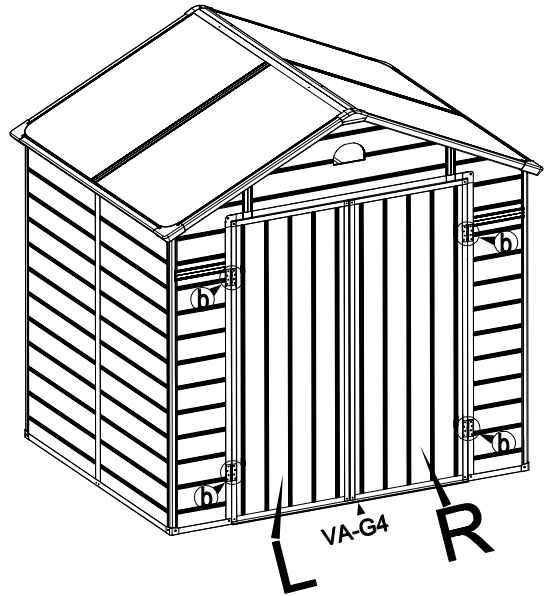
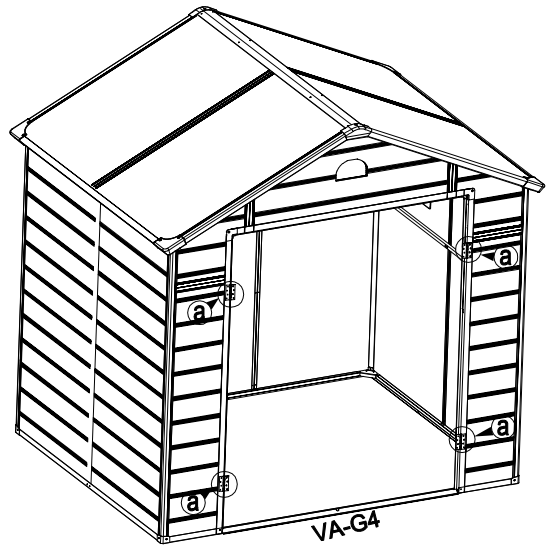
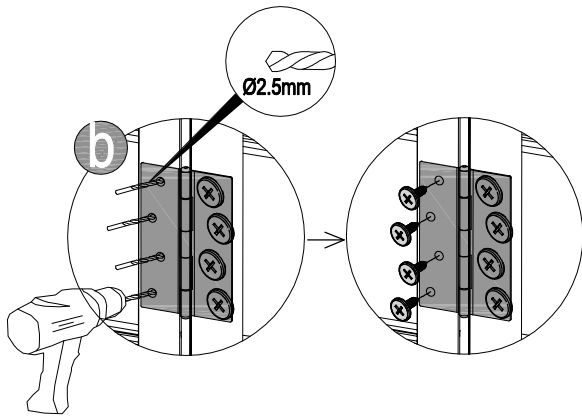
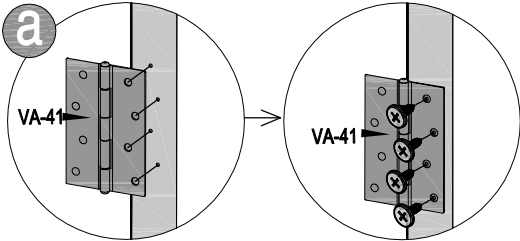
VA-G45 [x3]
19mm



VA-G44 [x36]
13mm



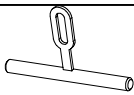
Ø2.5mm



45



VA-38a [x2]



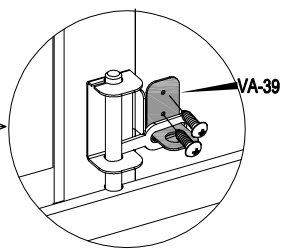
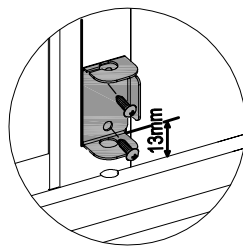
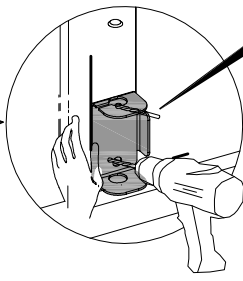
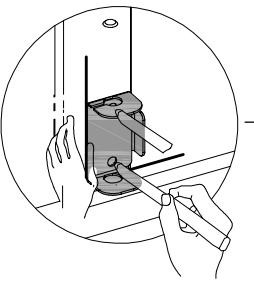
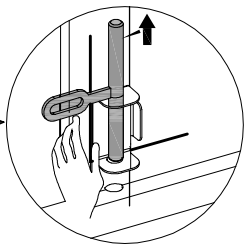
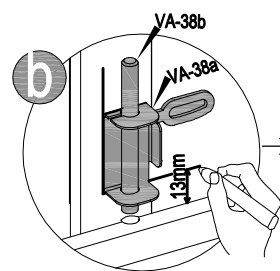
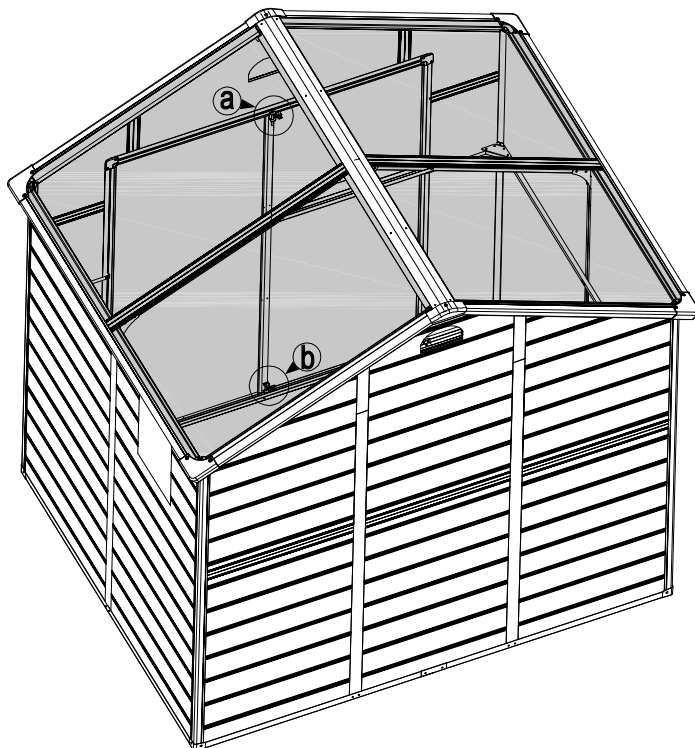
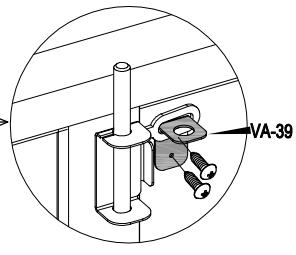
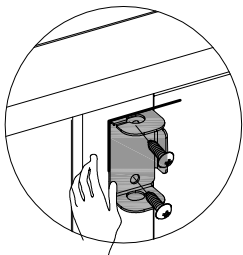
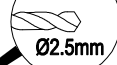
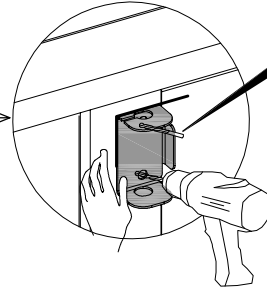
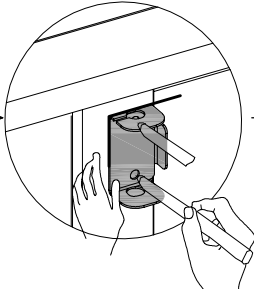
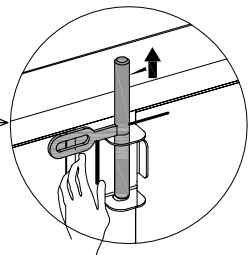
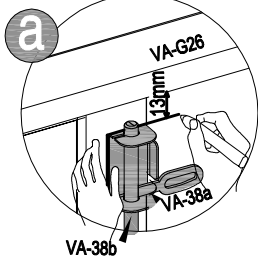
VA-38b [x2]



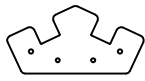
VA-39 [x2]



VA-G49 [x8]
13mm



46



VA-36 [x2]



VA-32L [x2]



VA-32R [x2]



VA-37 [x4]



VA-G44 [x44]
13mm



VA-G48 [x4]
40mm

