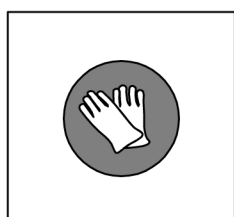
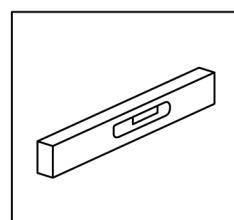
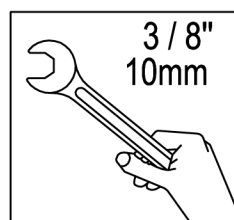
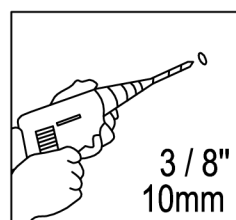
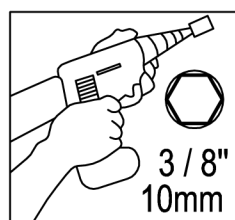
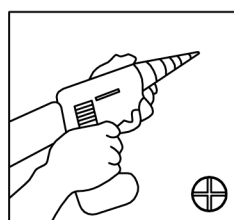
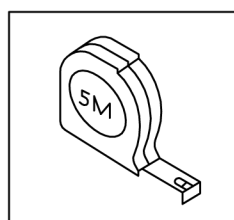
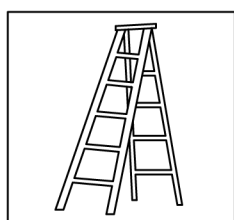
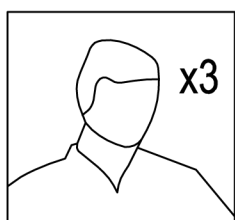
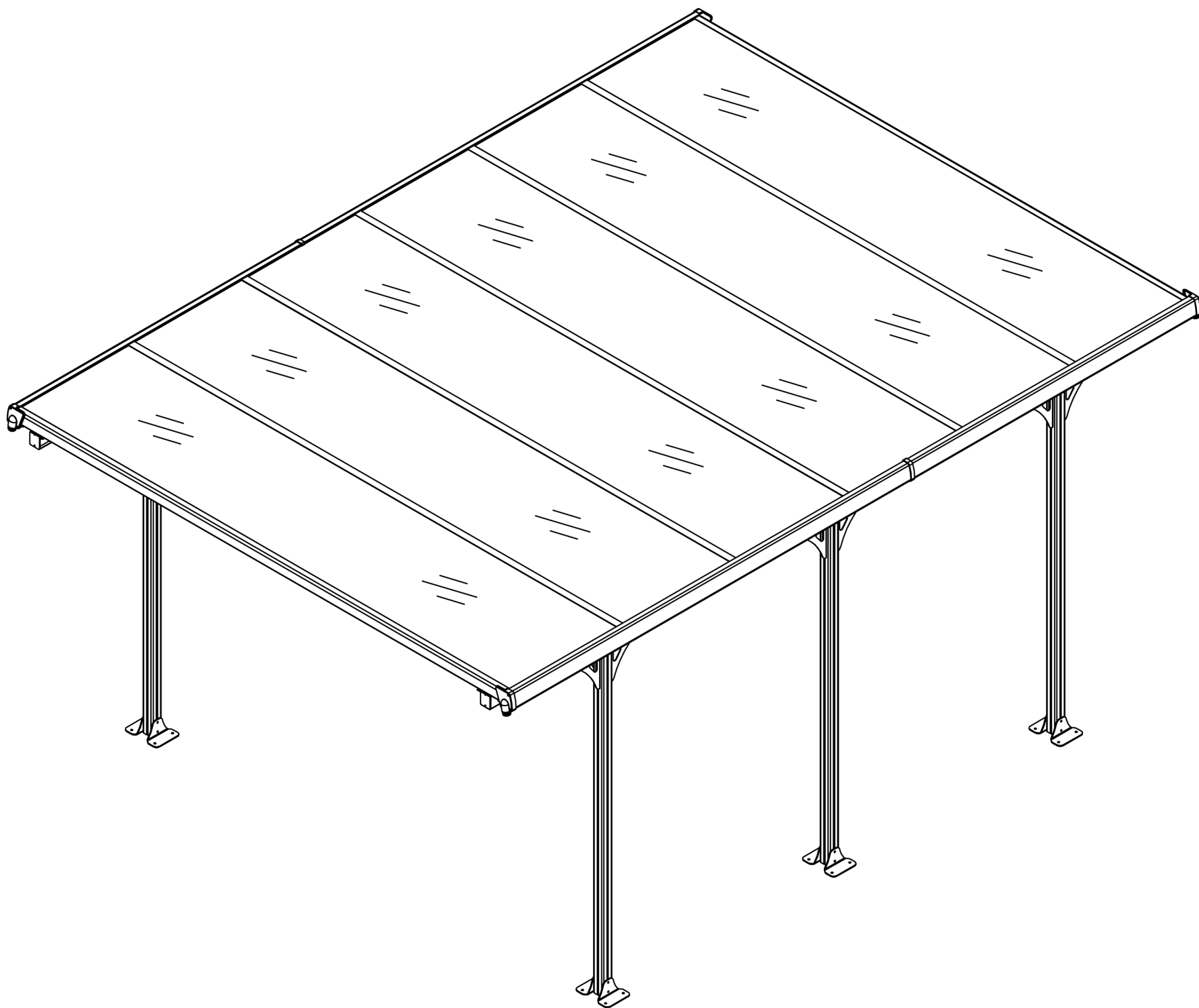


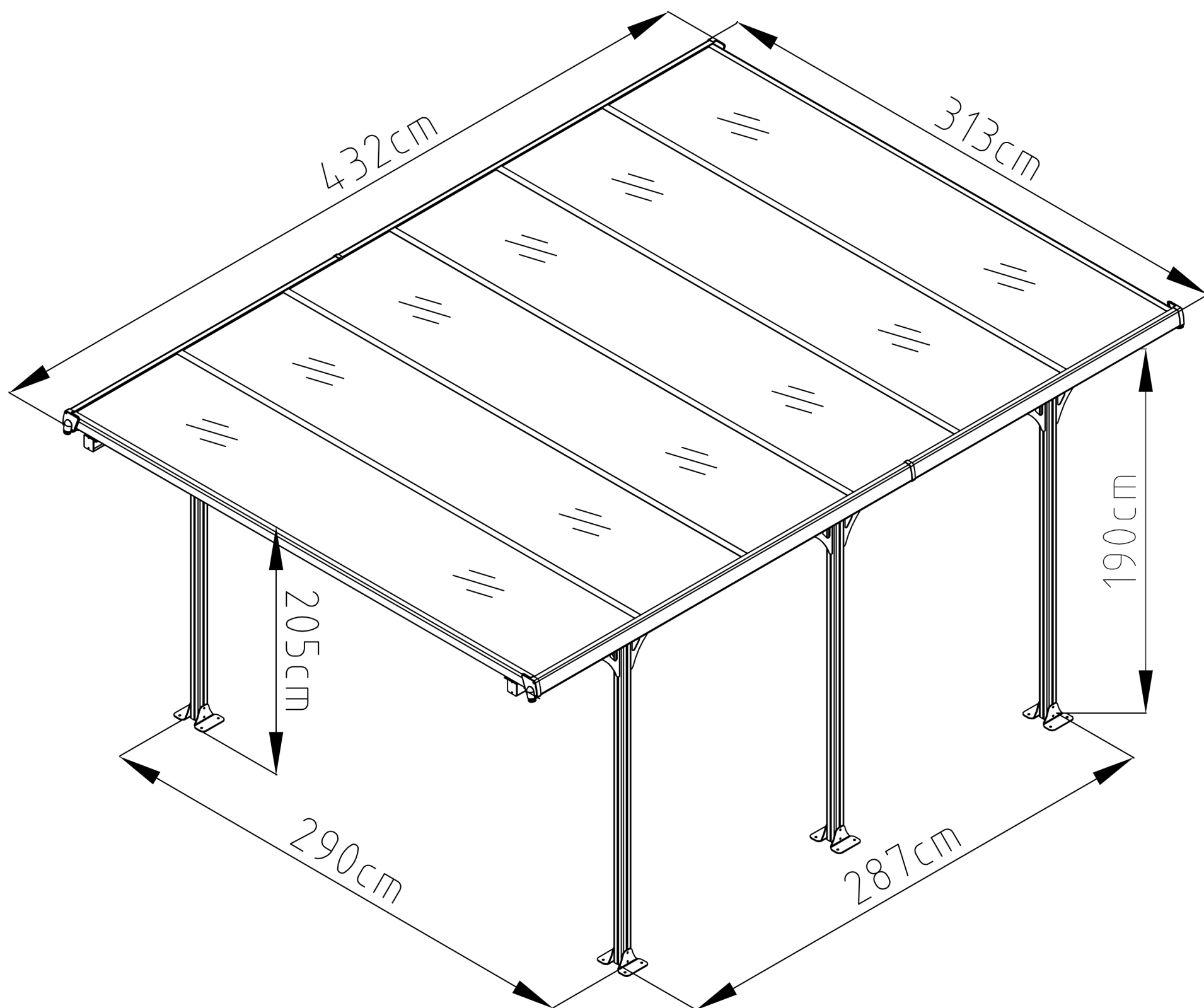
HARDMAISTER

Wiata garażowa Carport

Instrukcja montażu MONTANA 14.2x10.3
Assembly Instructions MONTANA 14.2x10.3



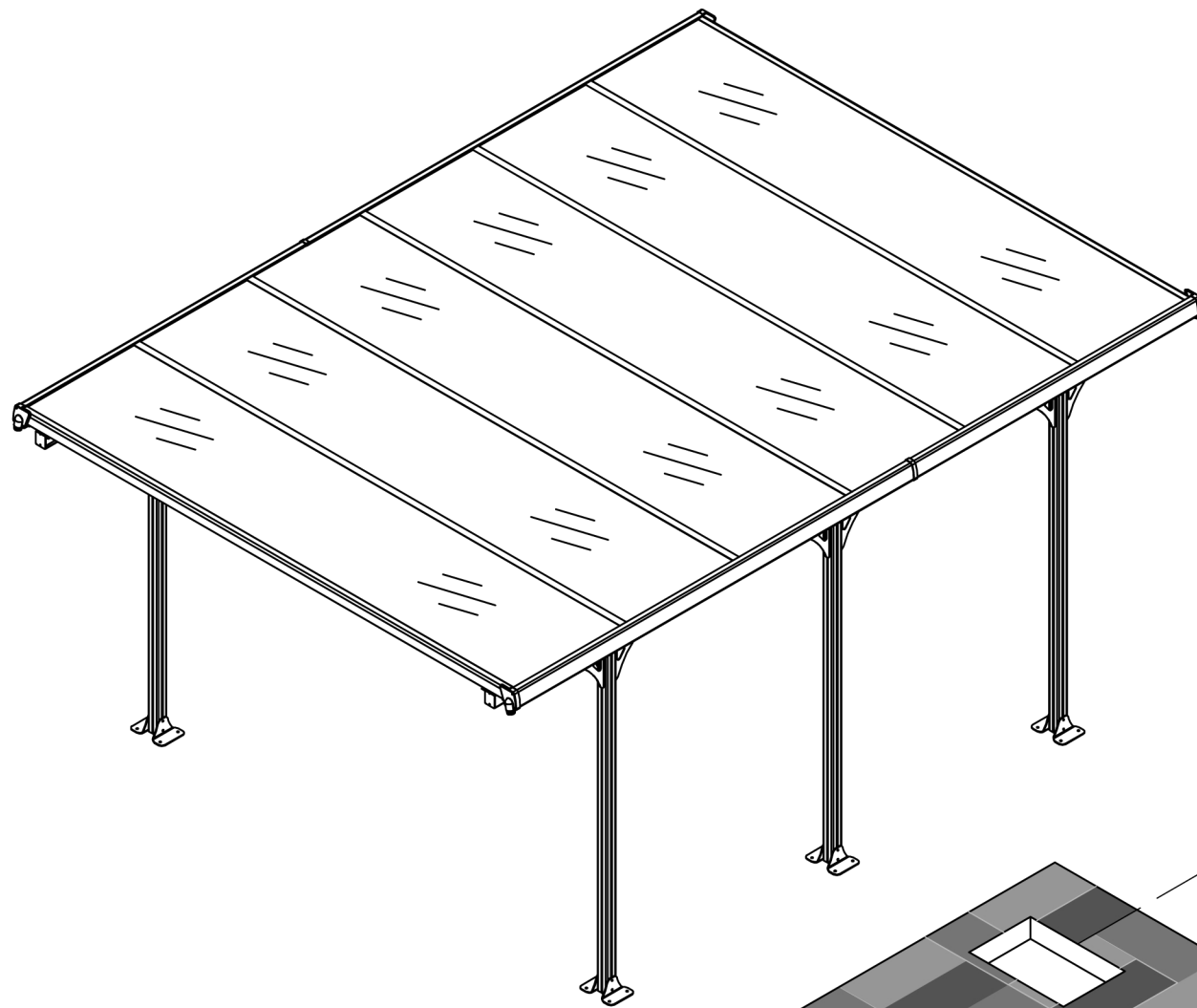
Wymiar wiaty MONTANA 14.2x10.3:
Size of MONTANA 14.2x10.3:



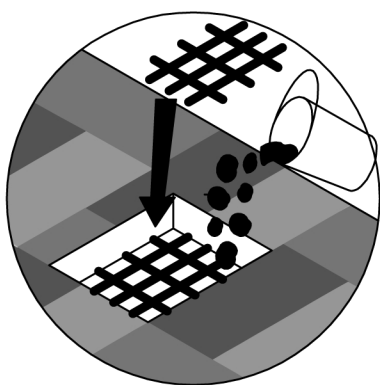
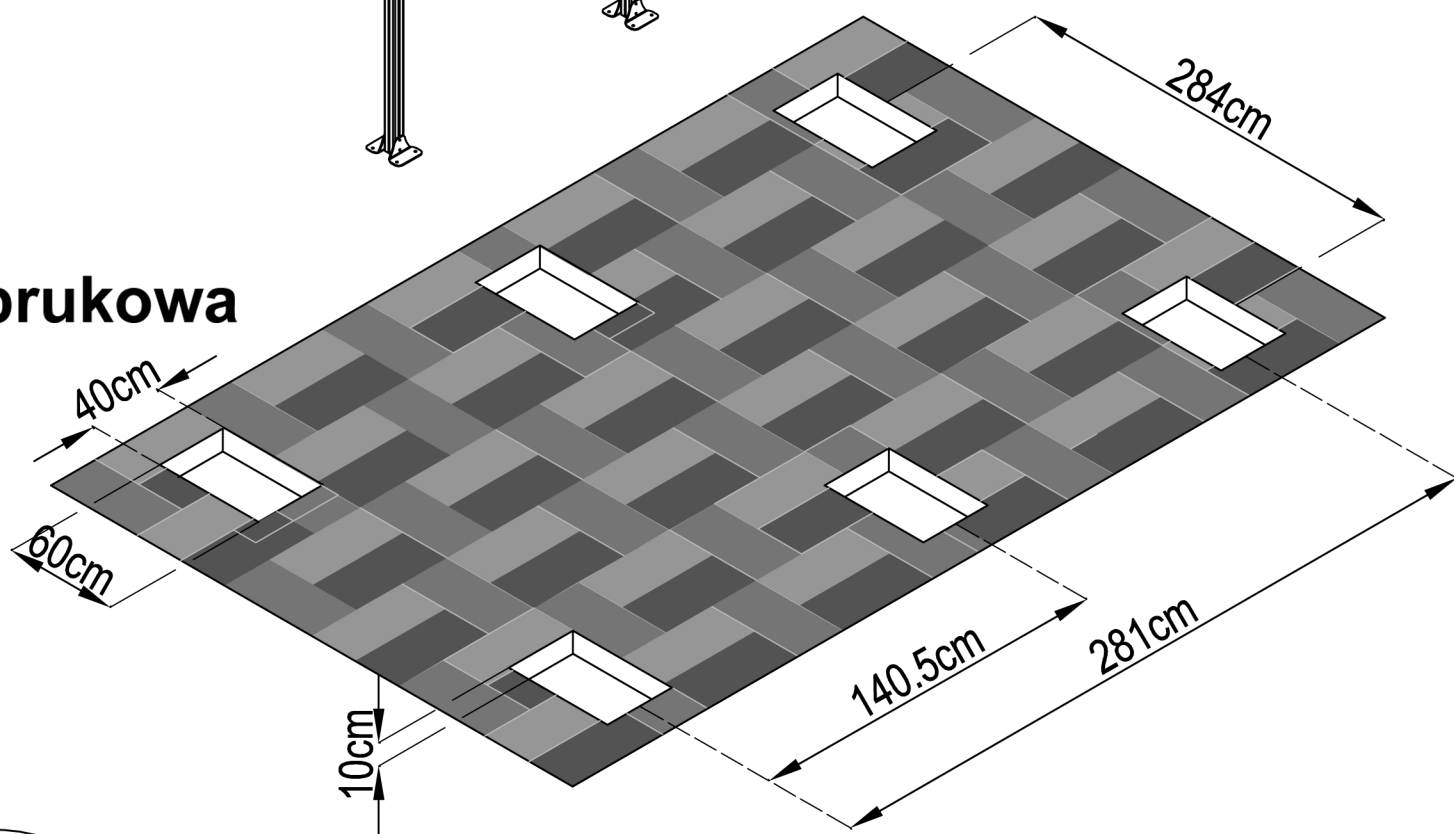
Wymagana powierzchnia podstawy:
Area of installation requirement:



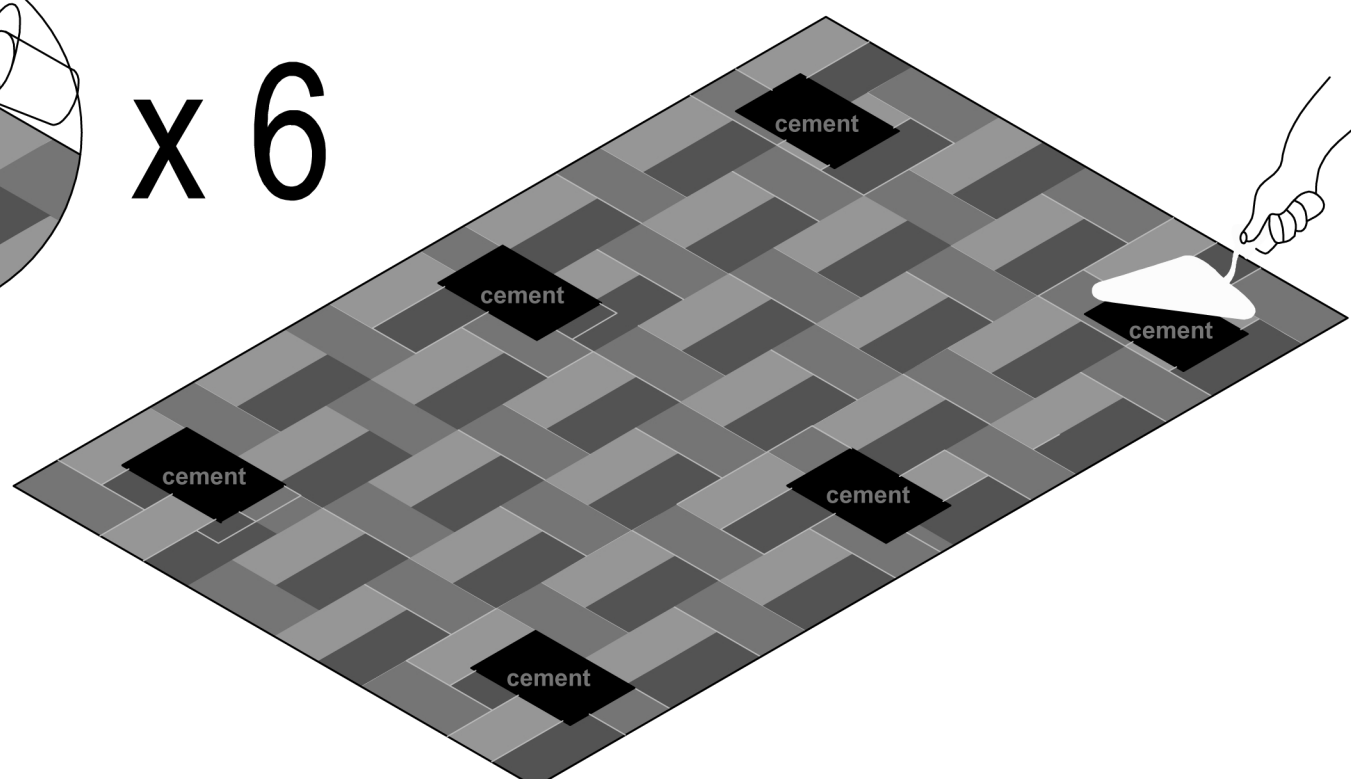
Wiata powinna być montowana na solidnej podstawie (np. betonowej).
Bez solidnej podstawy niezbędne jest wykonanie odpowiedniej
wielkości fundamentów betonowych jak na poniższych rysunkach.



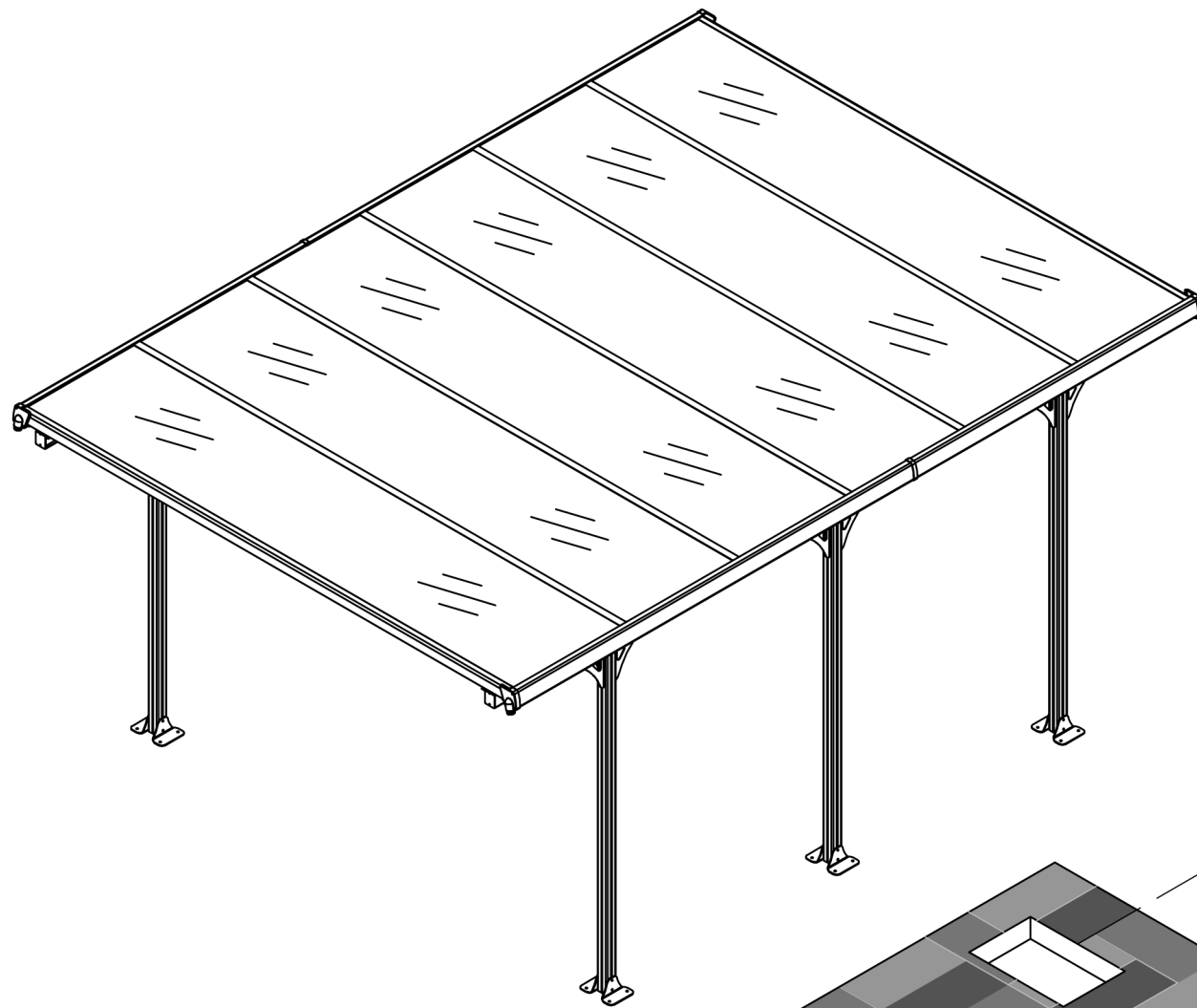
Kostka brukowa



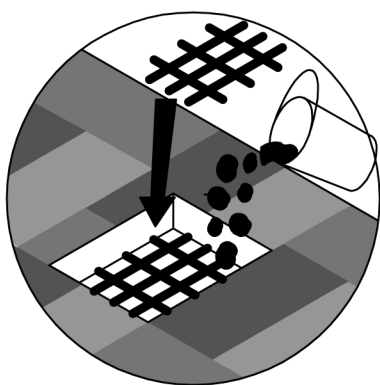
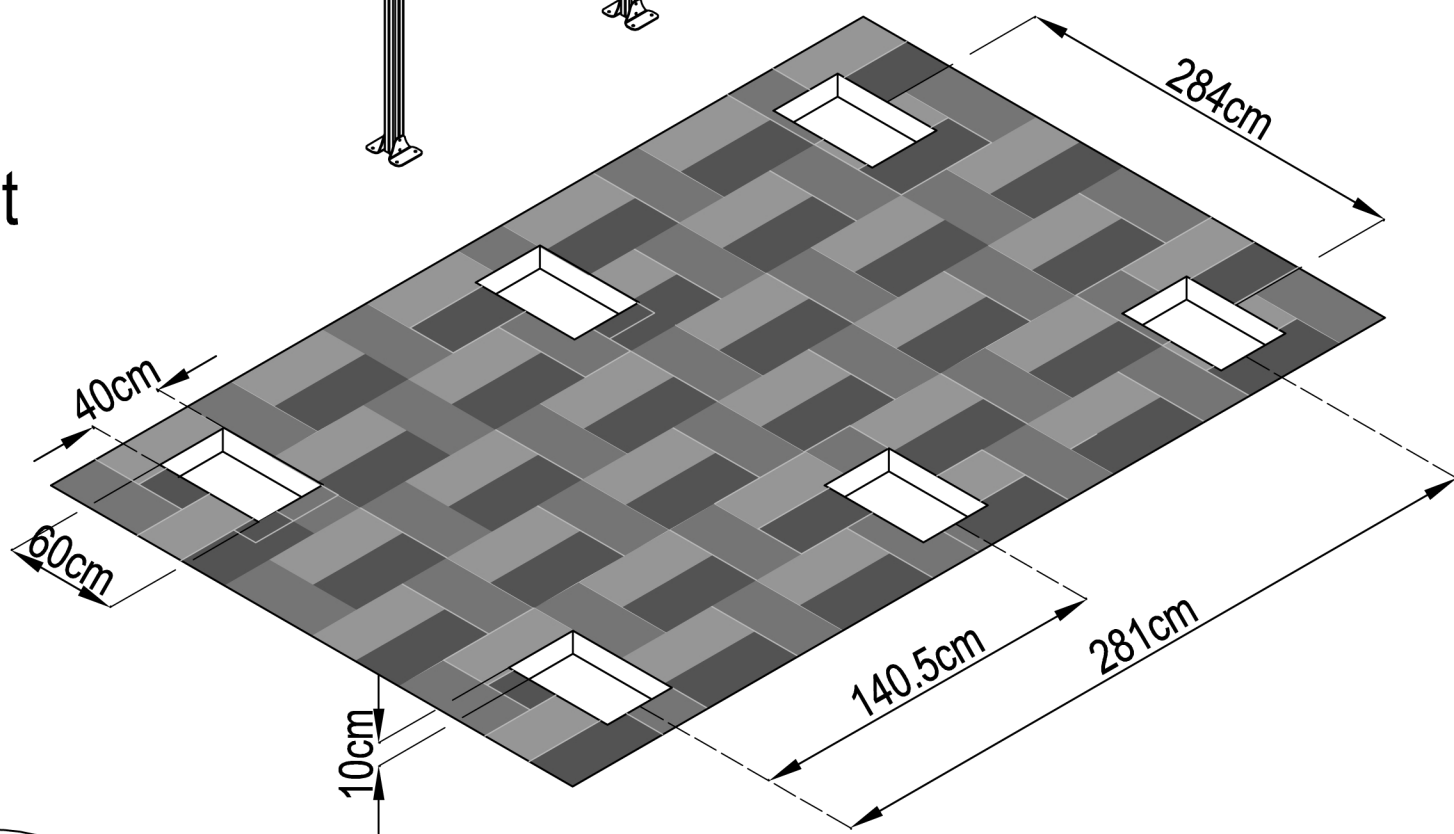
x 6



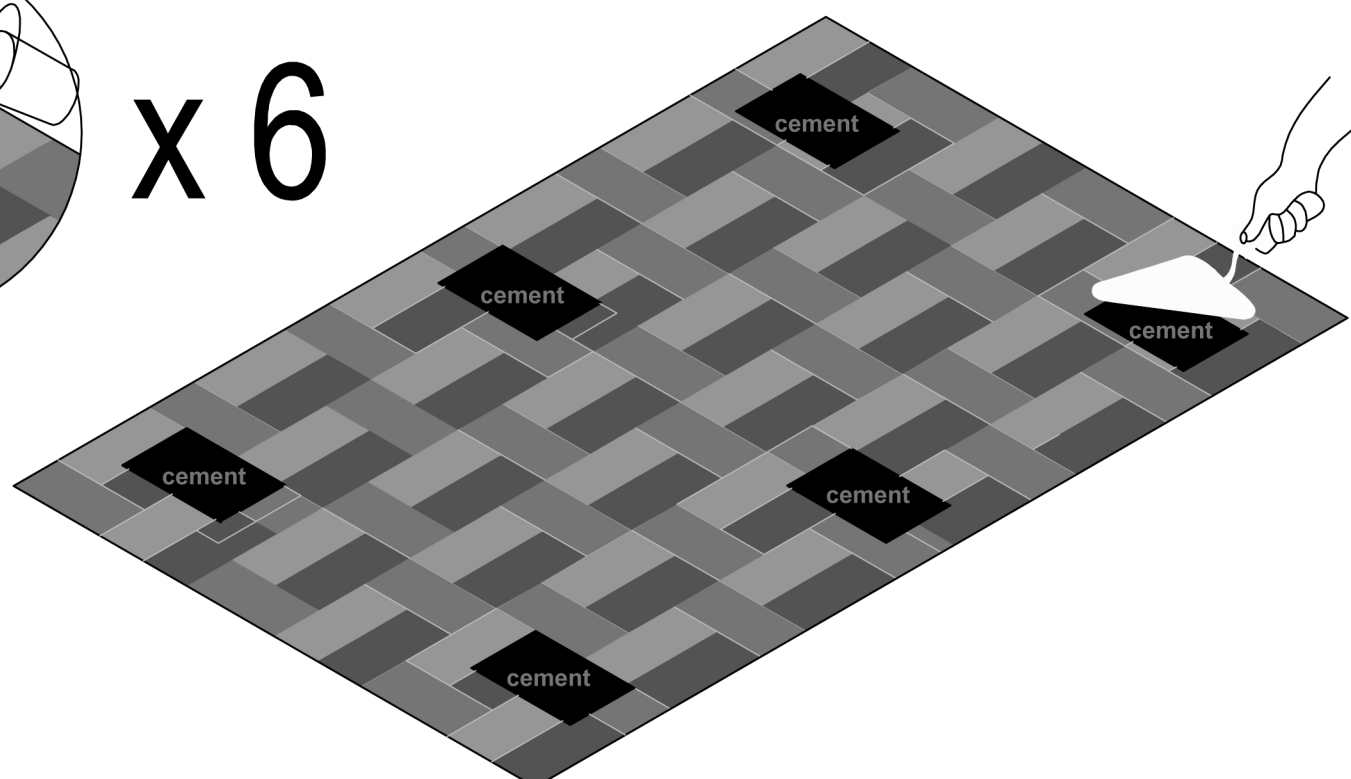
This carport should be assembled on a solid base (such as concrete). Without solid base, pre-foundation, that includes concrete and metal, is needed as in following drawings.



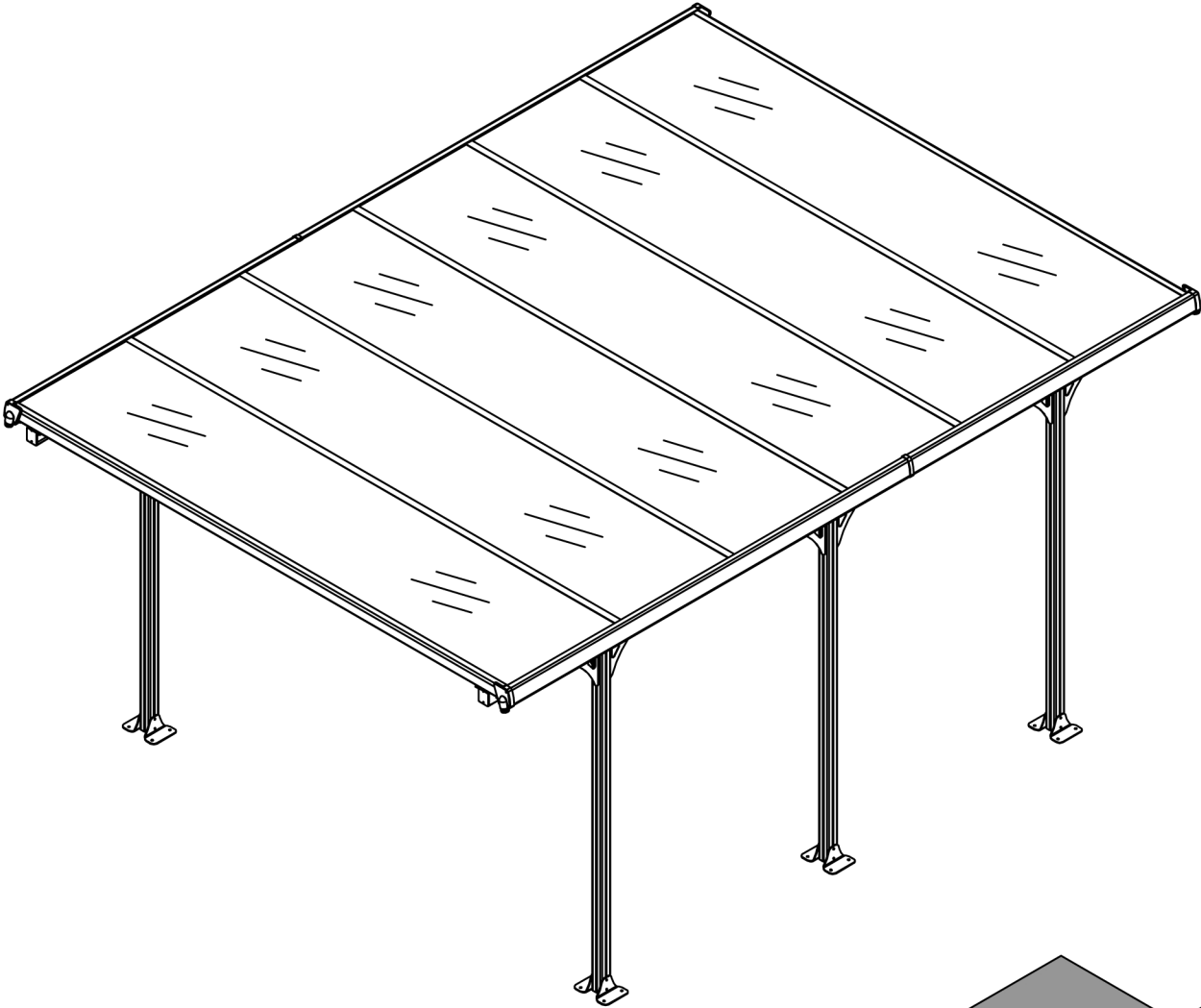
Pavement
stone



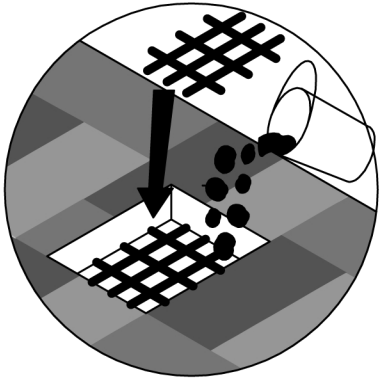
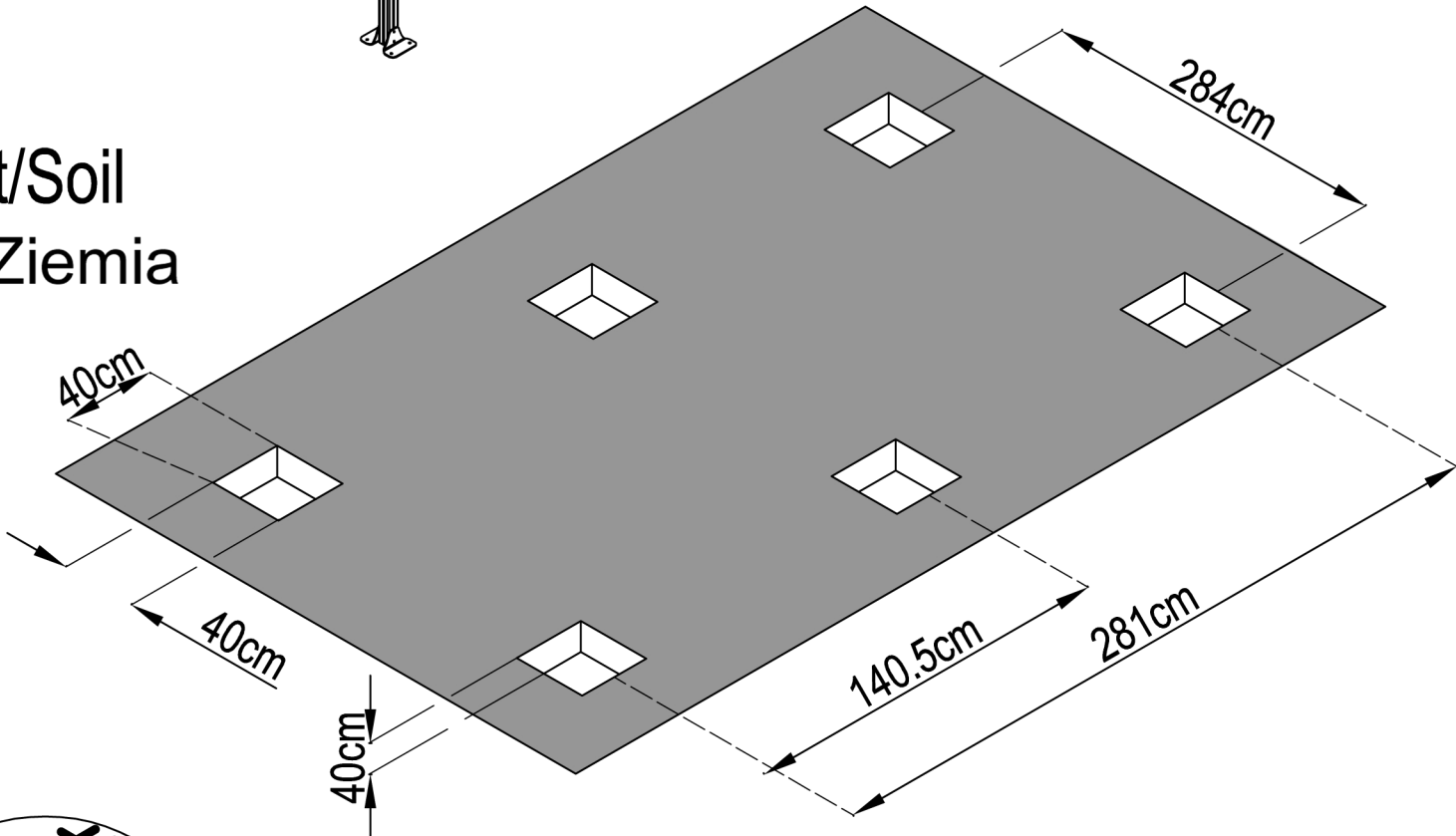
x 6



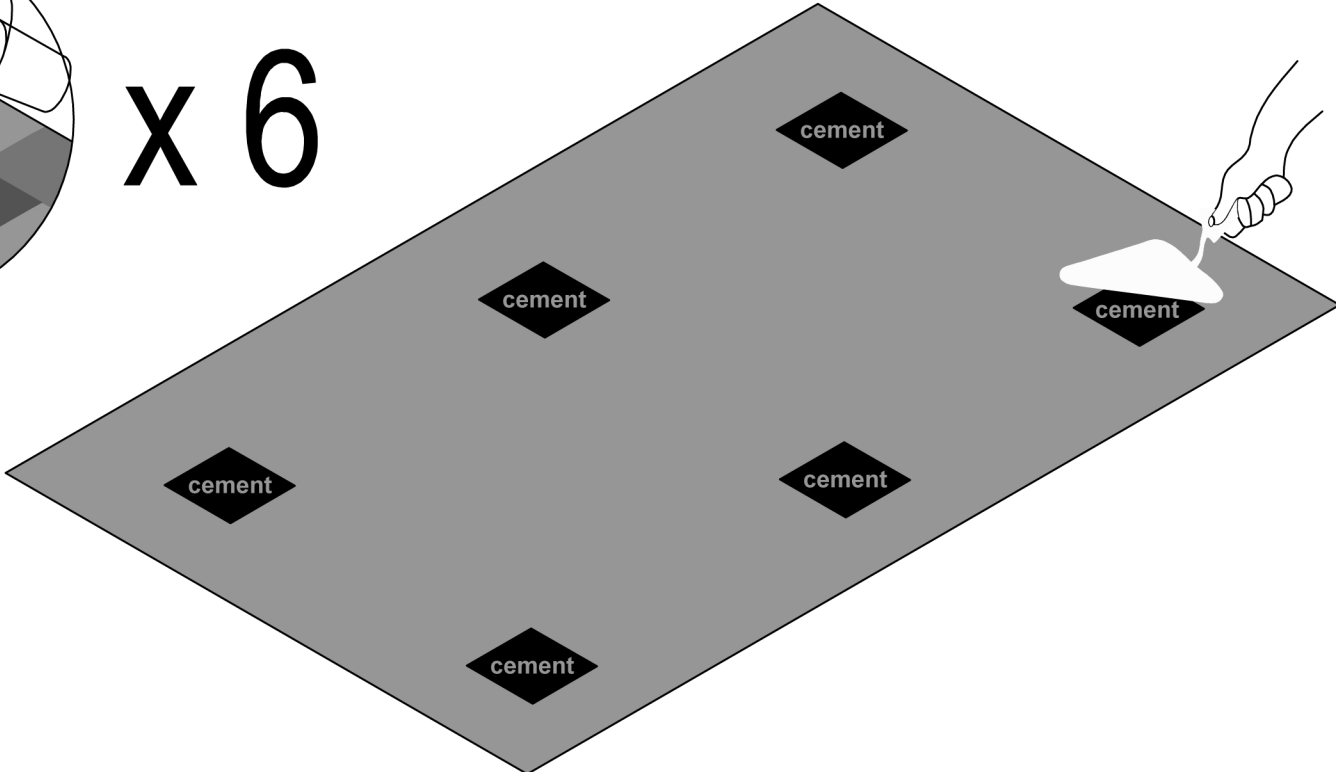
OR LUB

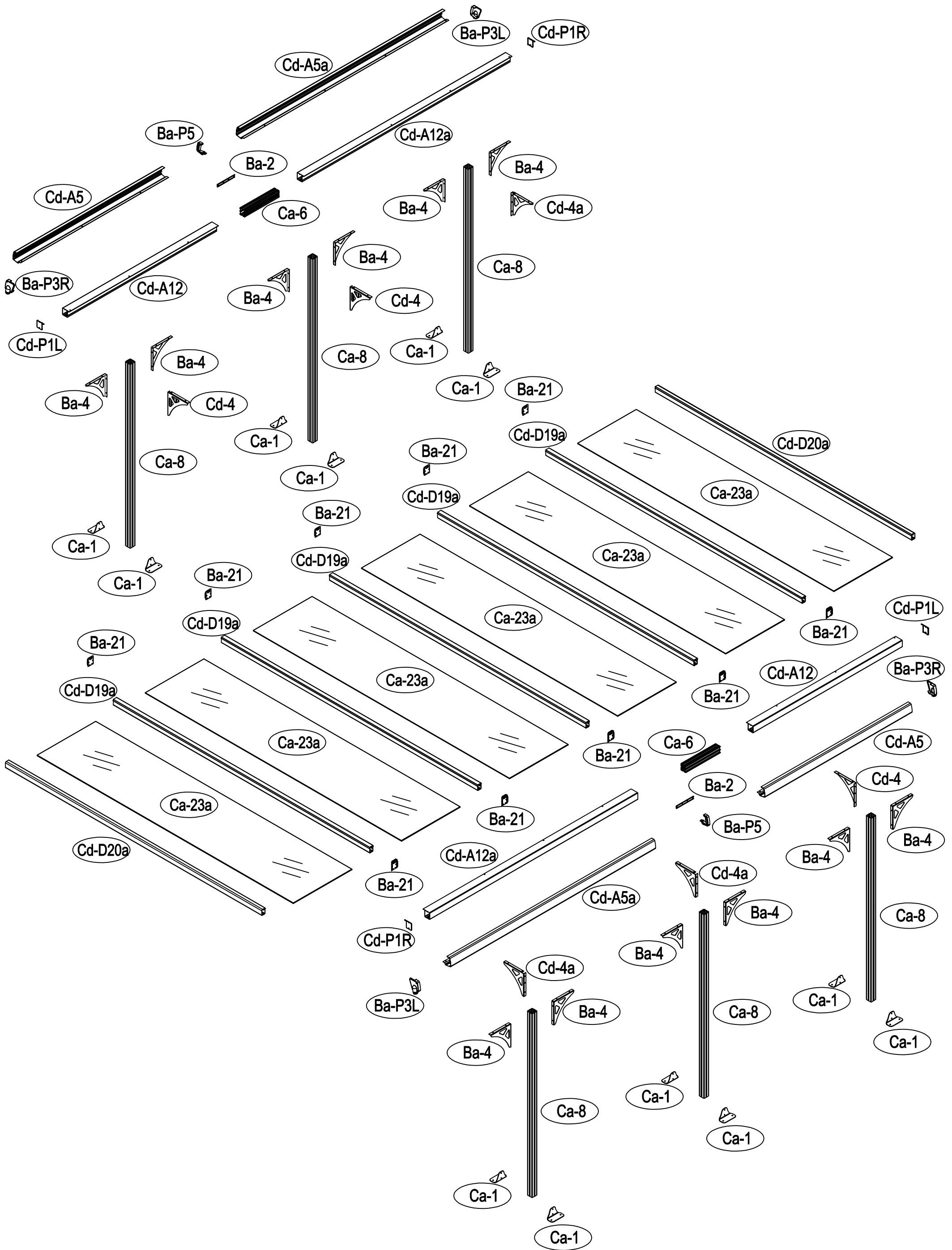


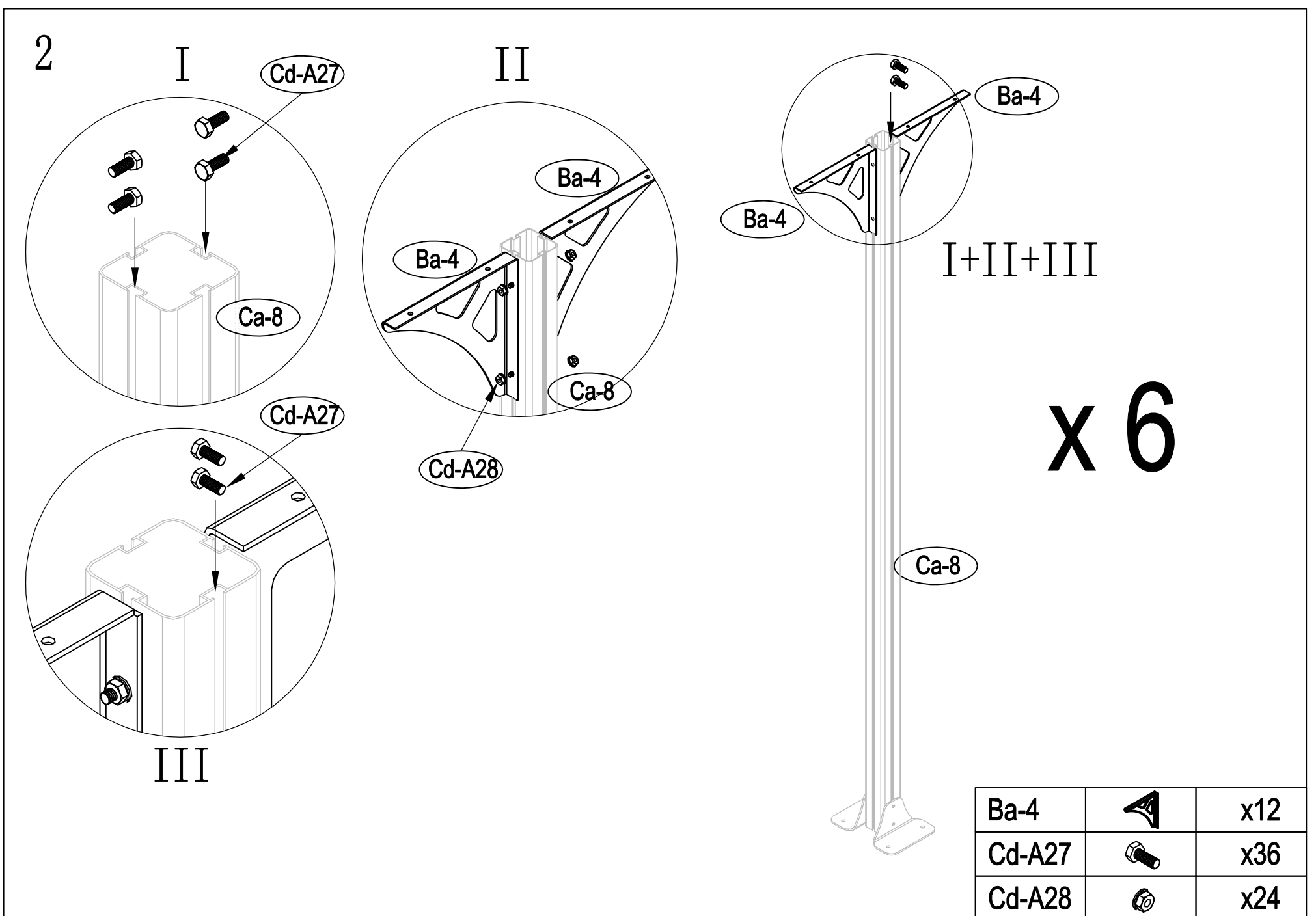
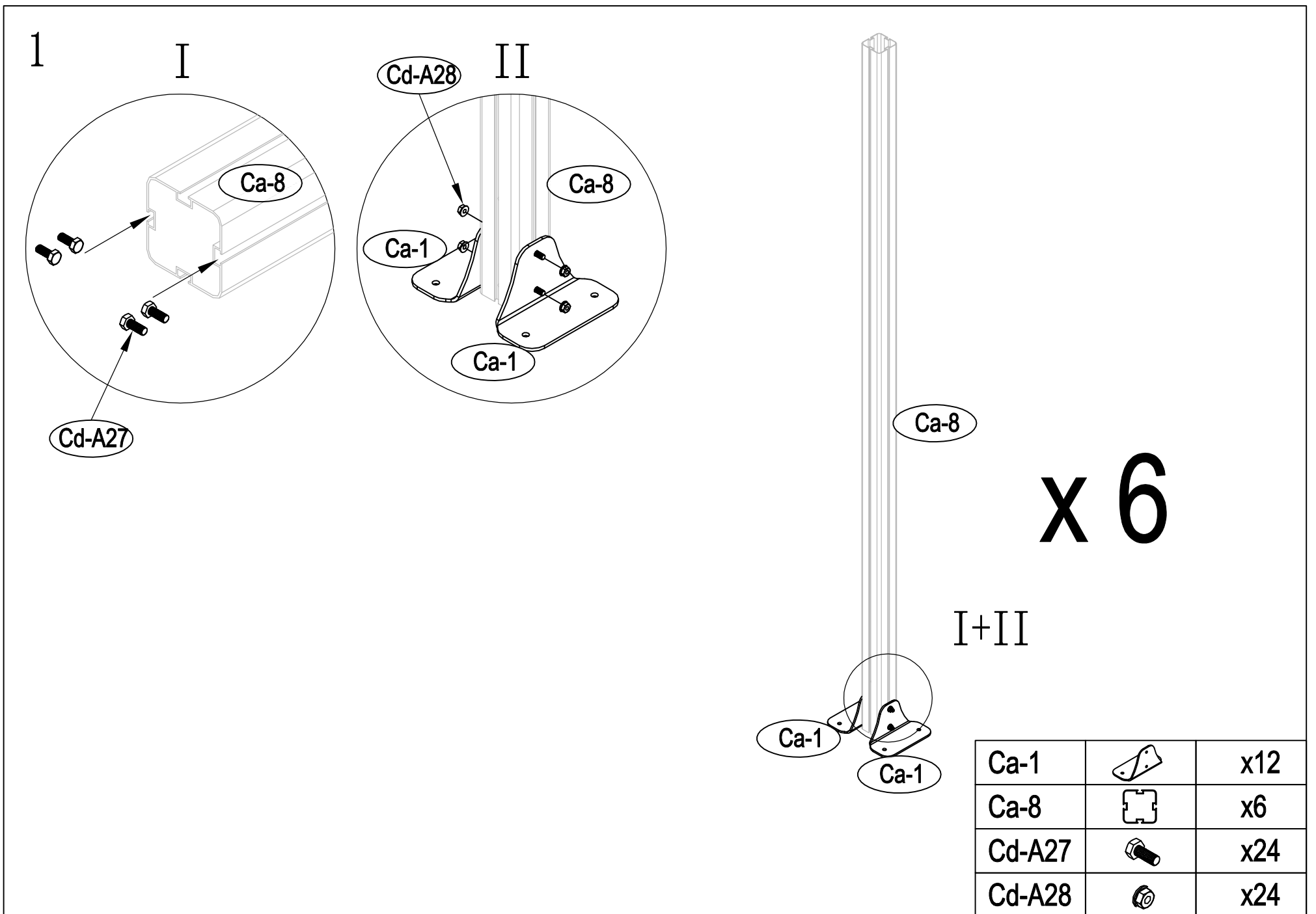
Asphalt/Soil
Asfalt/Ziemia



x 6



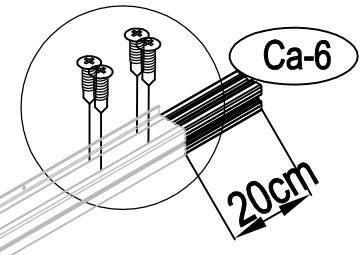
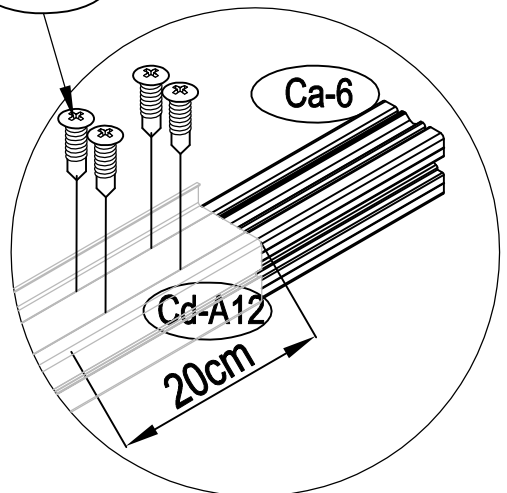
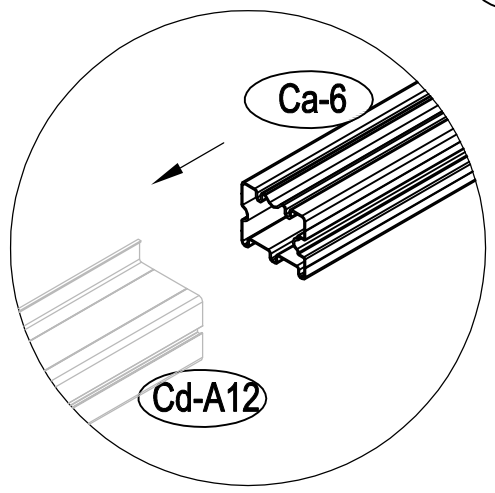




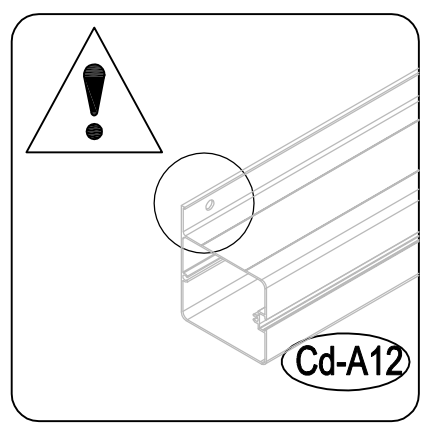
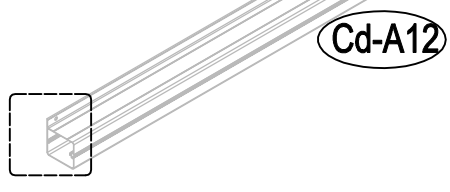
3

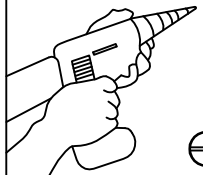
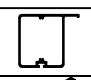


I

II



I+II
x 2

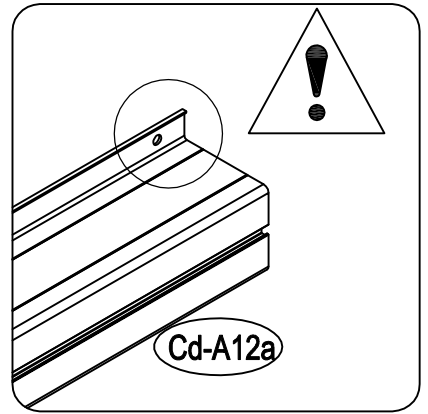
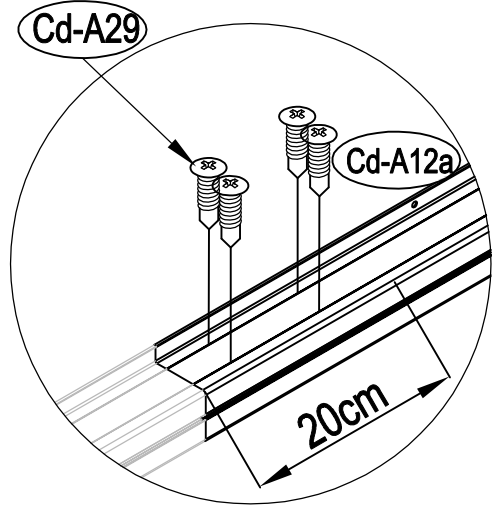
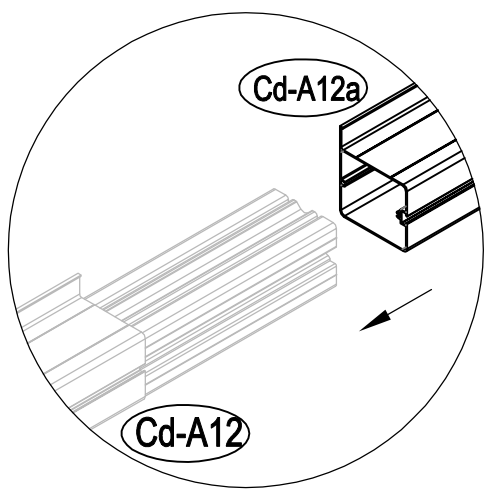


| | | | |
|---|--------|---|----|
|  | Cd-A12 |  | x2 |
| | Ca-6 |  | x2 |
| | Cd-A29 |  | x8 |

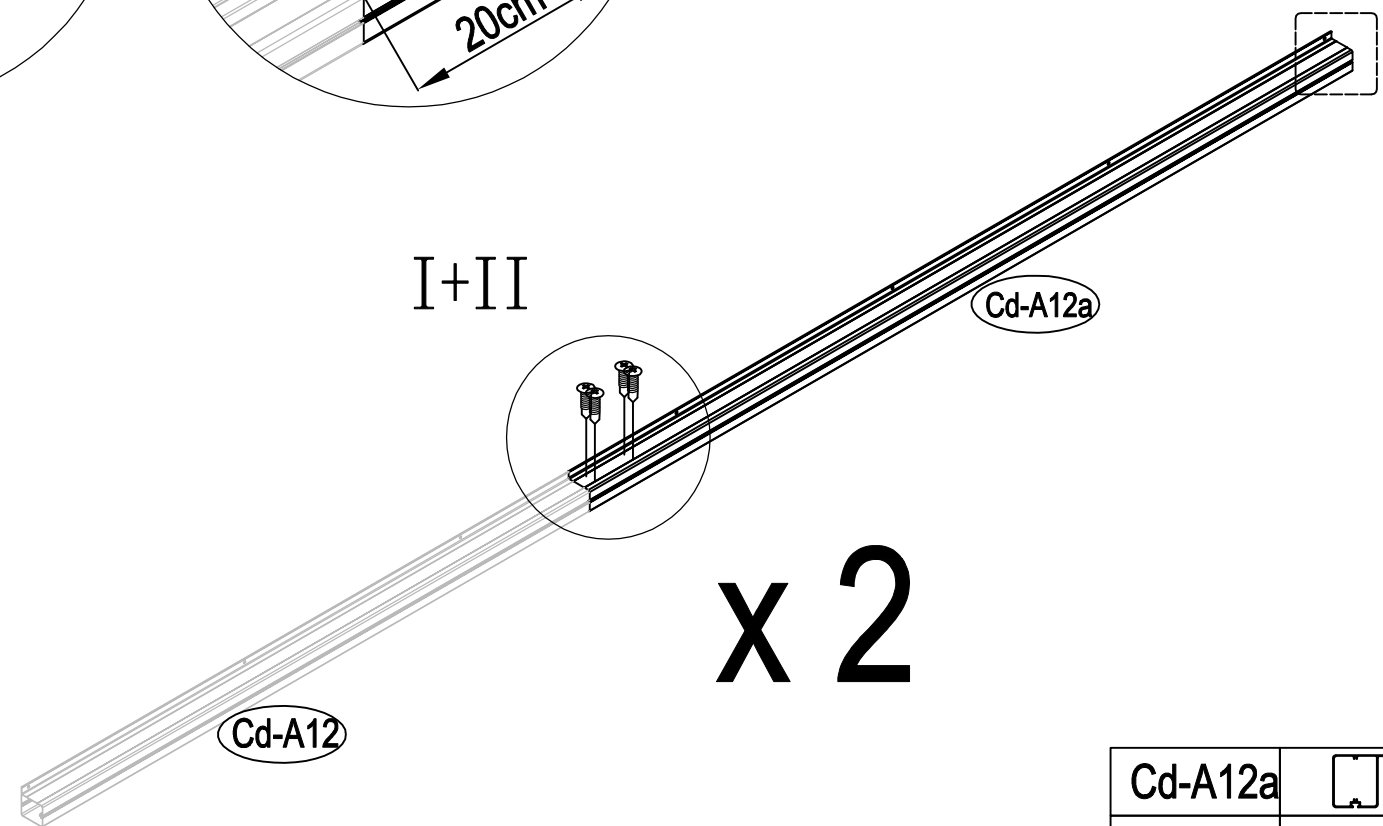
4

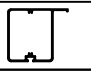
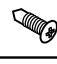
I

II

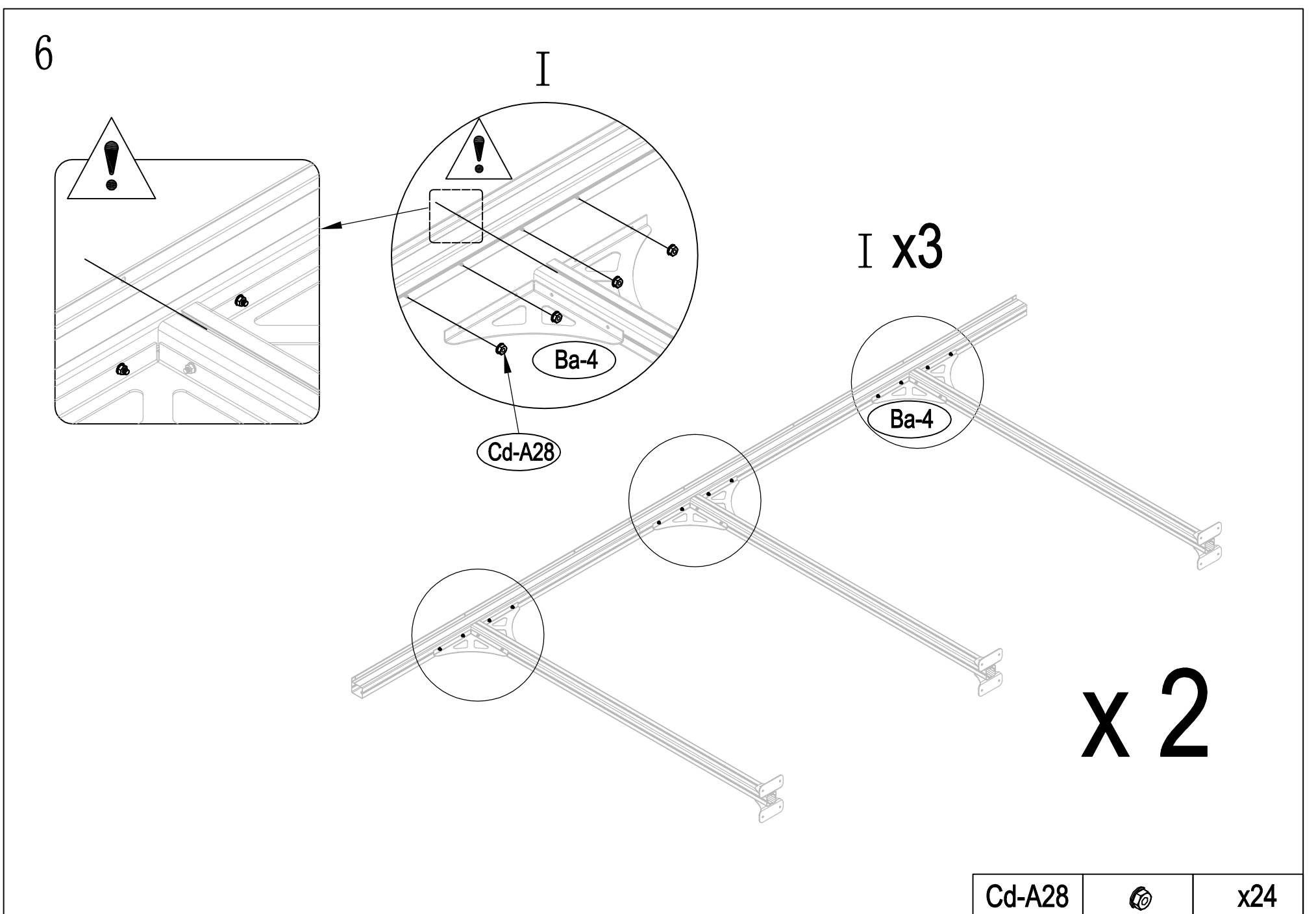
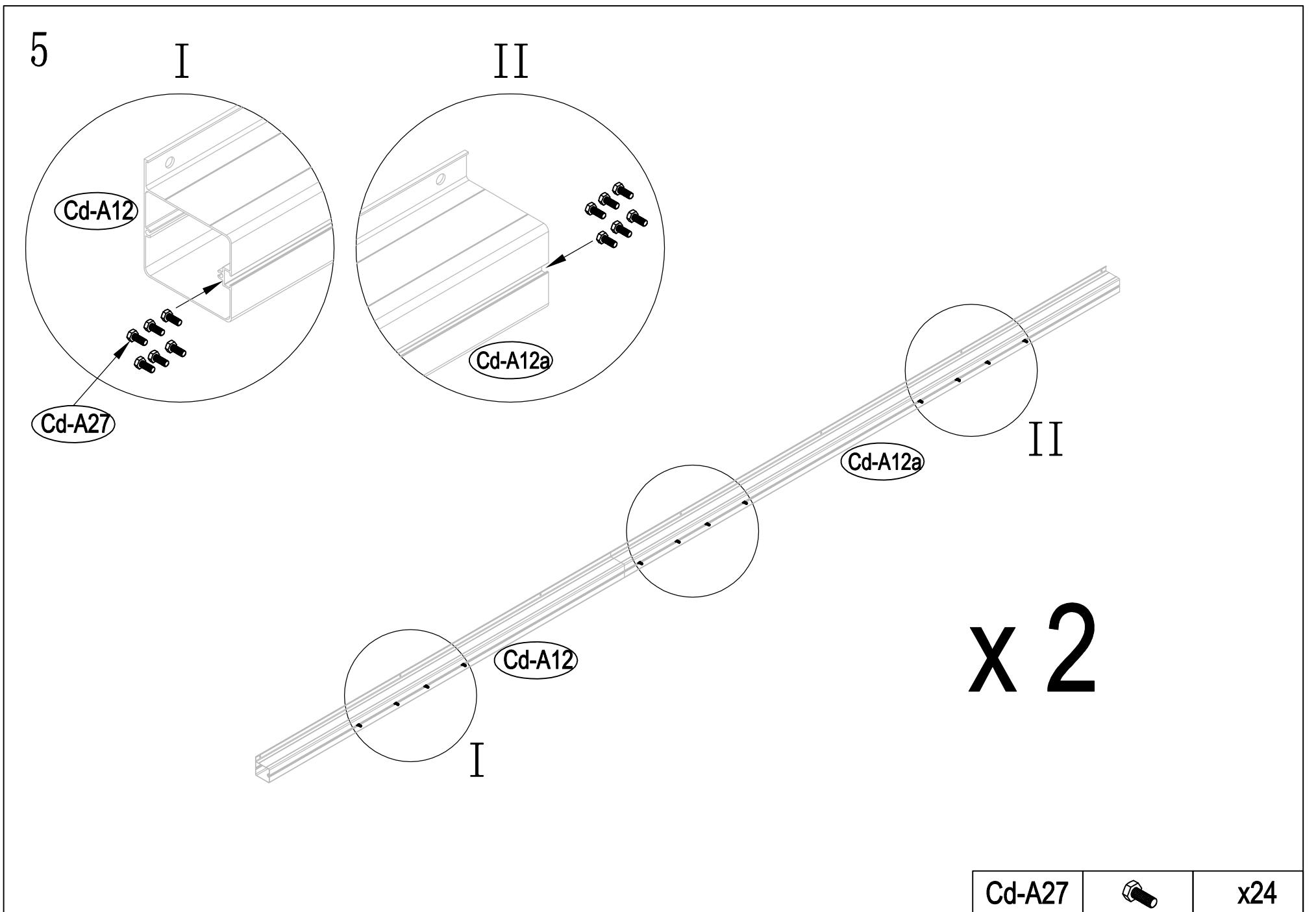


I+II
x 2

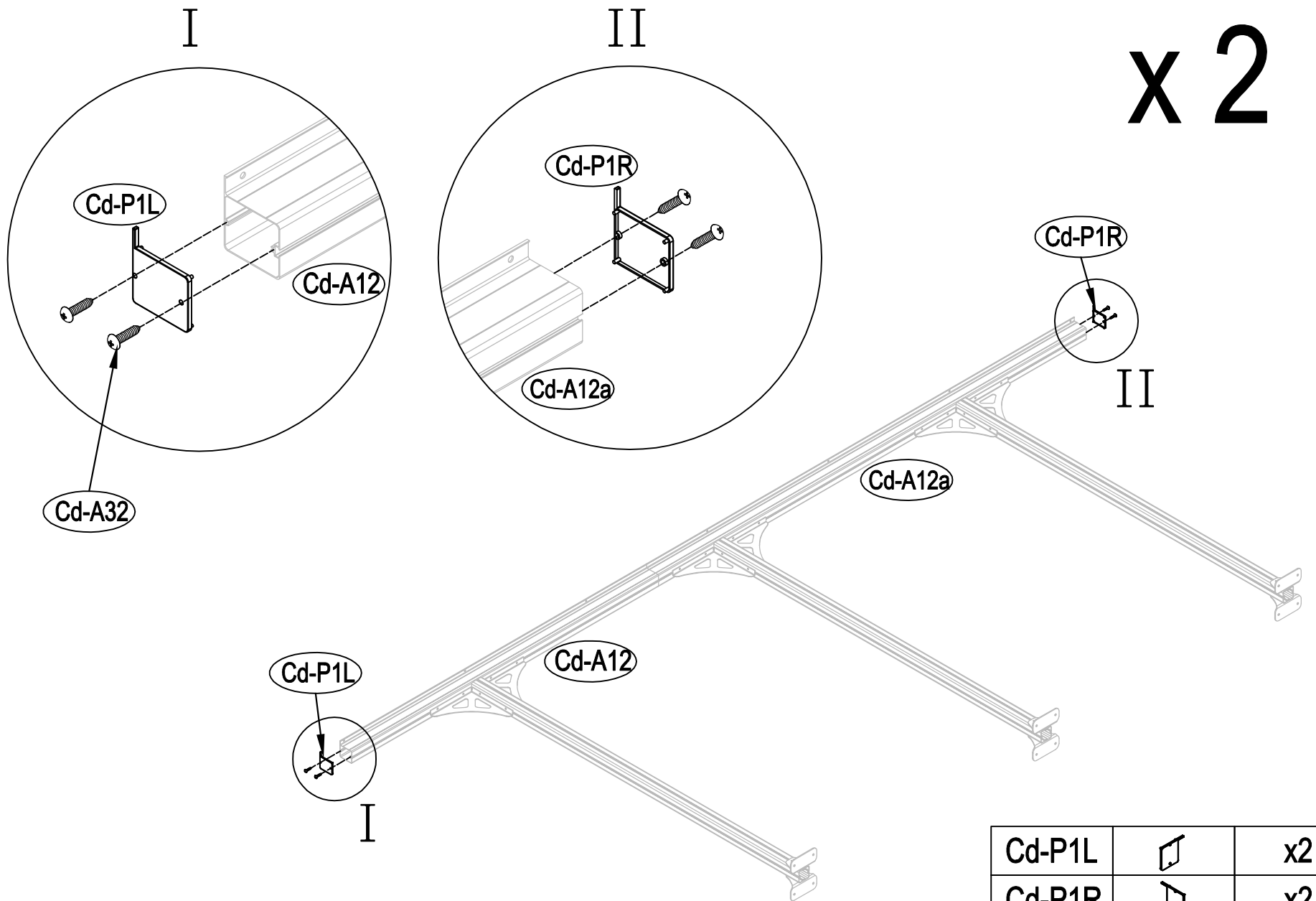


| | | |
|---------|---|----|
| Cd-A12a |  | x2 |
| Cd-A29 |  | x8 |



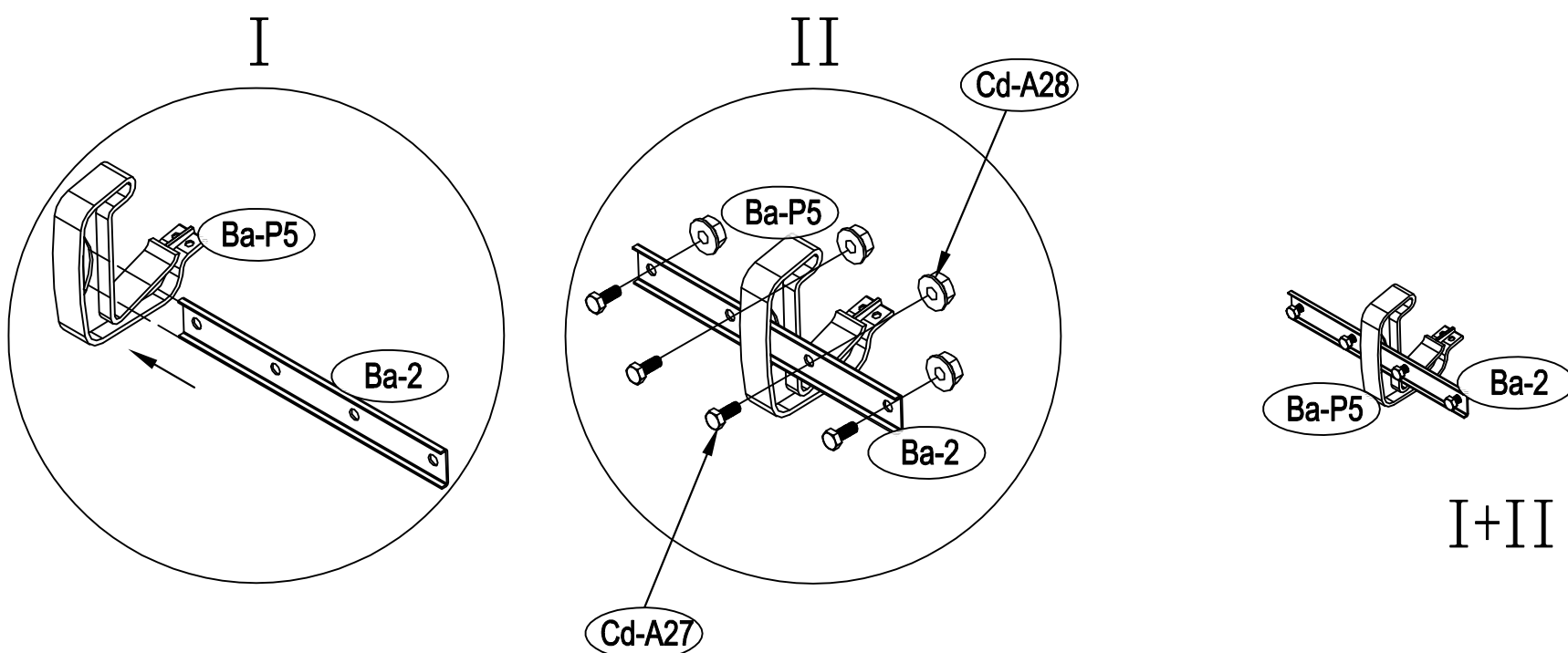


7



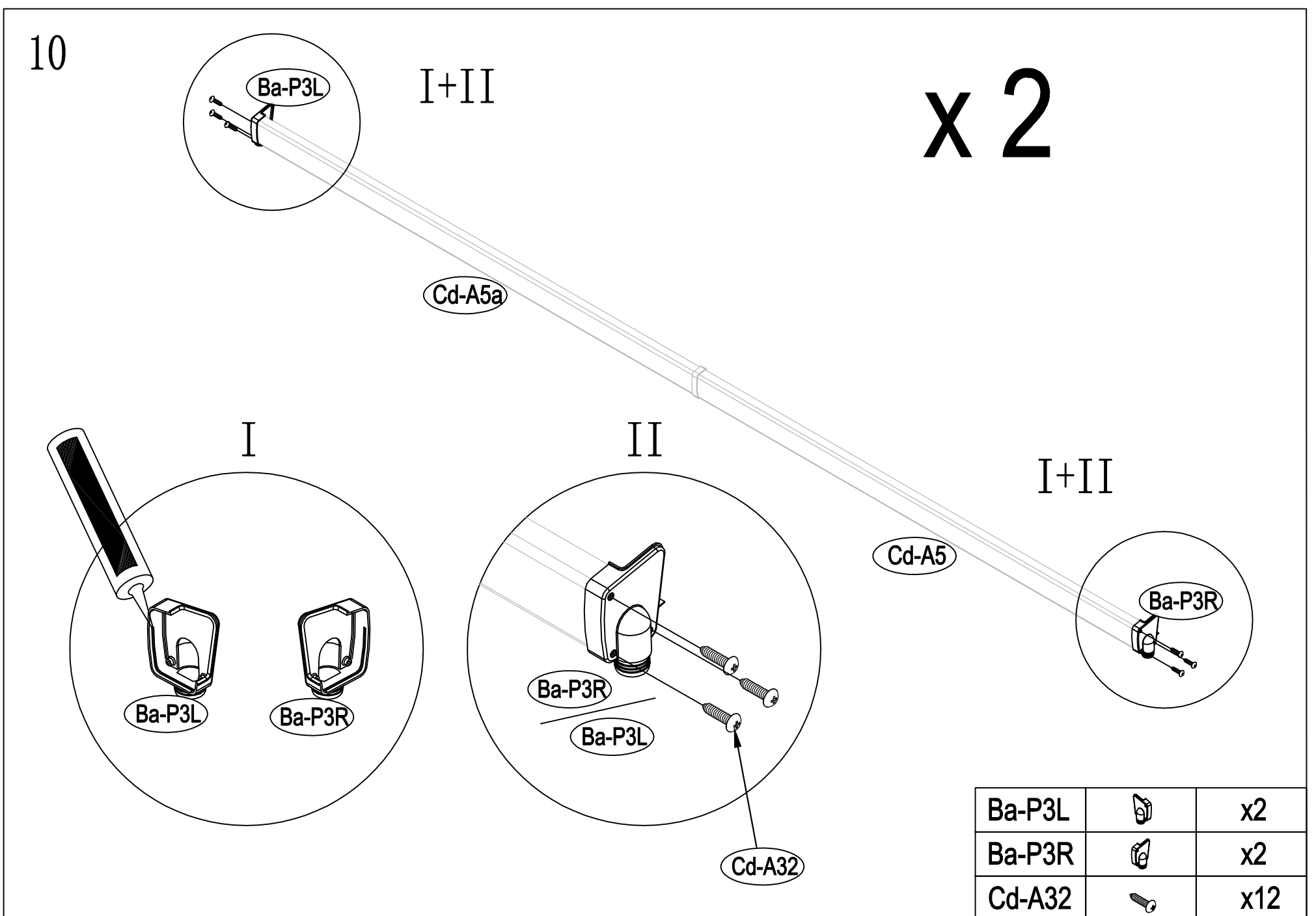
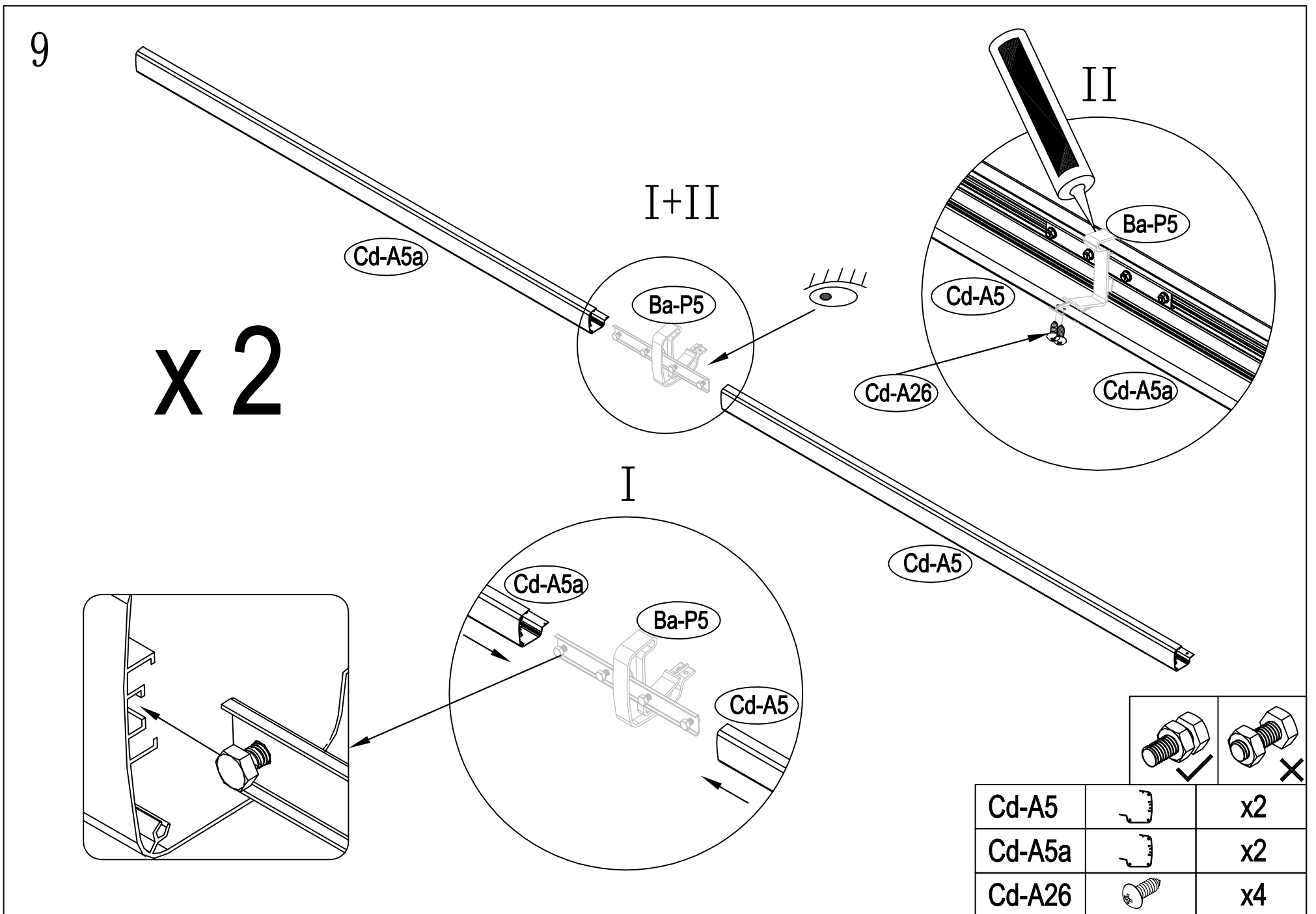
| | | |
|--------|--|----|
| Cd-P1L | | x2 |
| Cd-P1R | | x2 |
| Cd-A32 | | x8 |

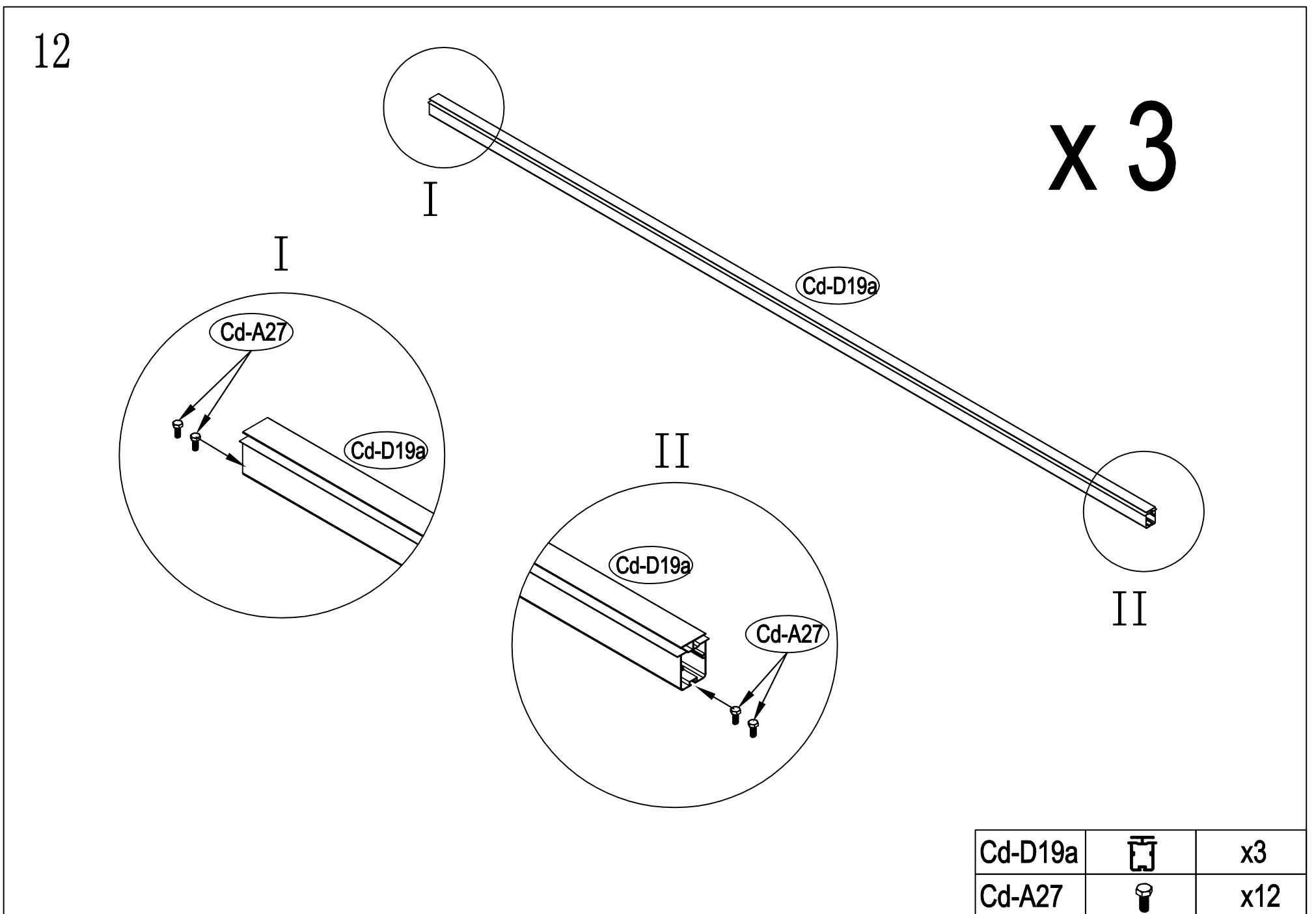
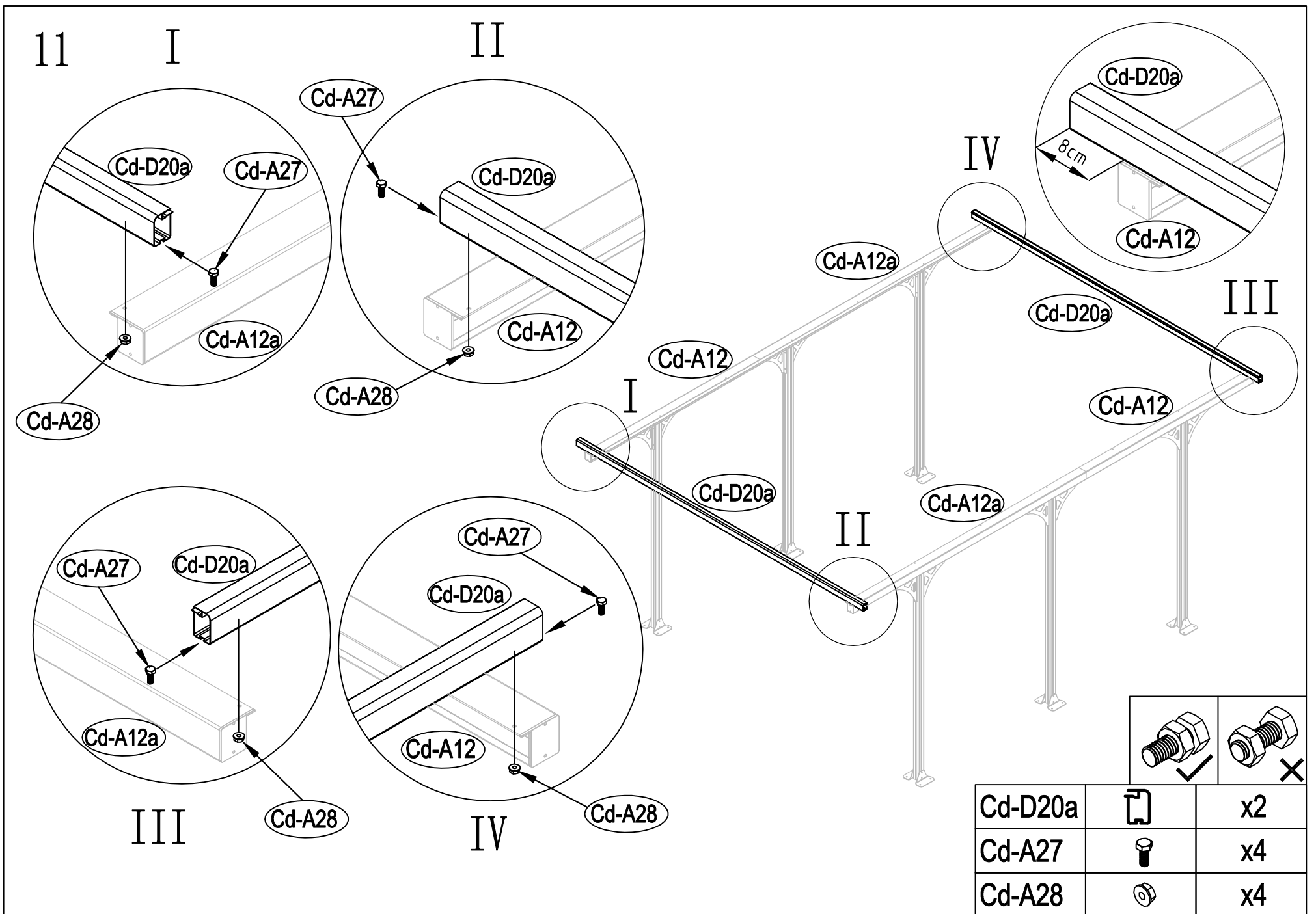
8



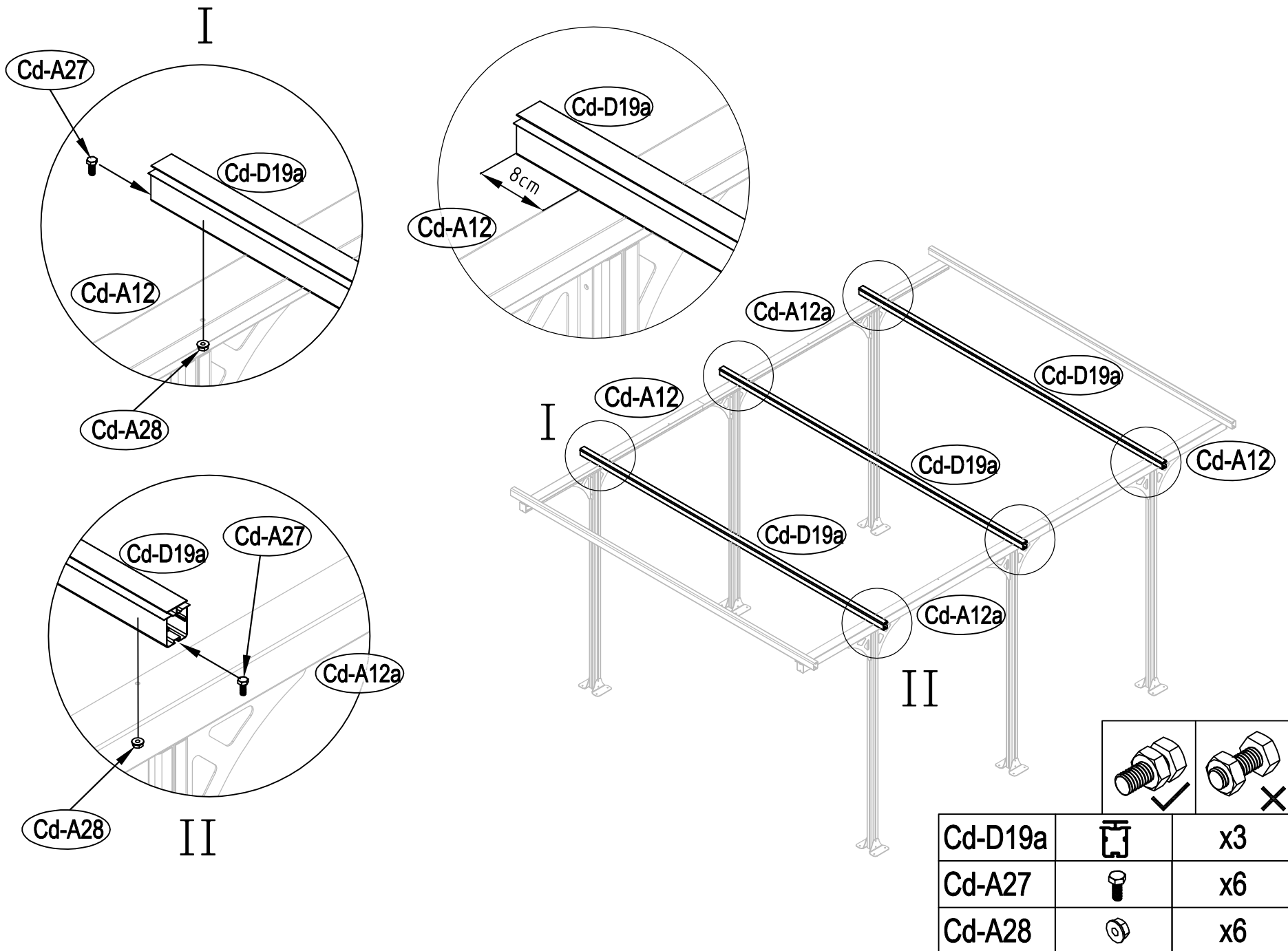
| | | |
|--------|--|----|
| Ba-2 | | x2 |
| Ba-P5 | | x2 |
| Cd-A27 | | x8 |
| Cd-A28 | | x8 |



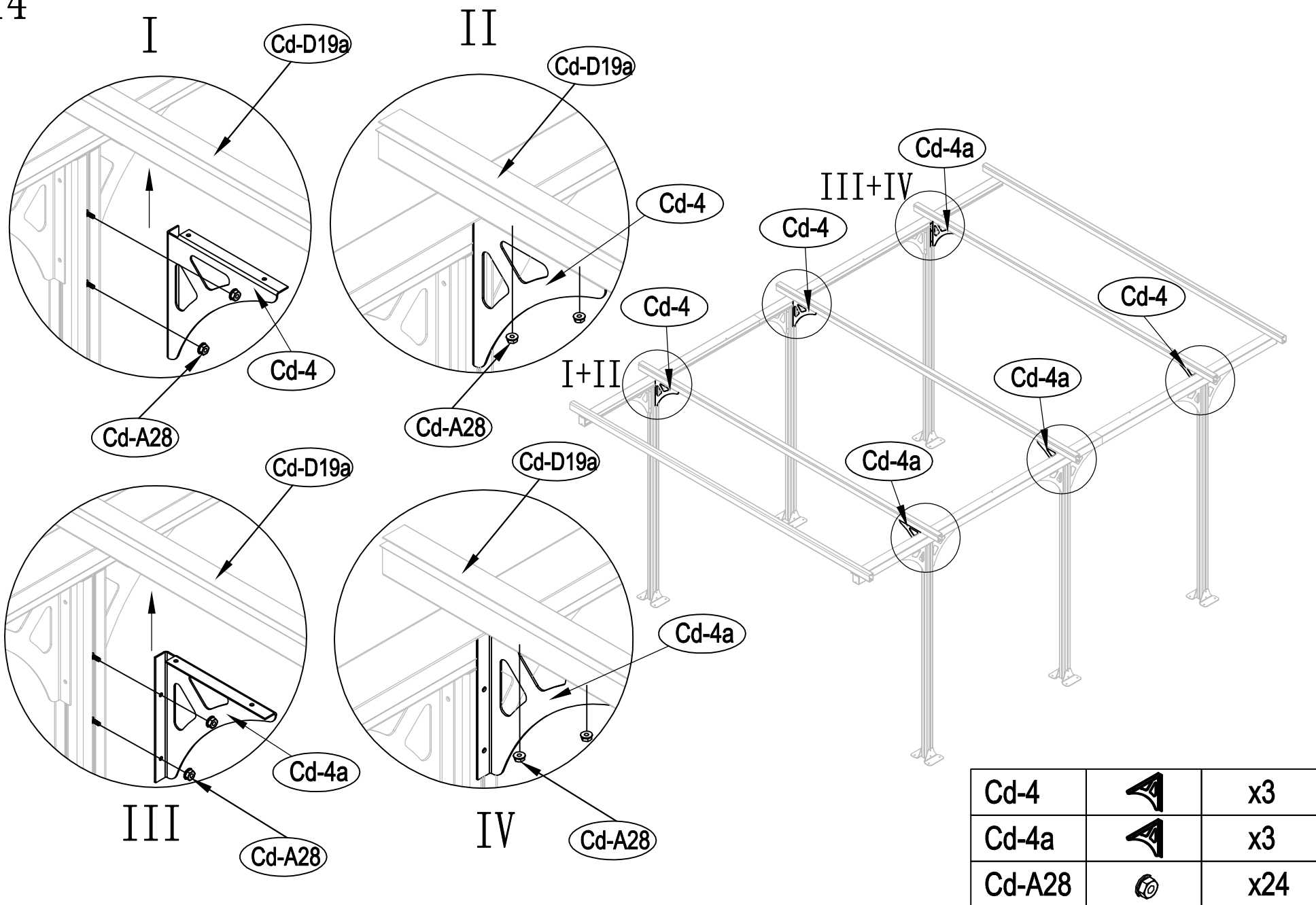




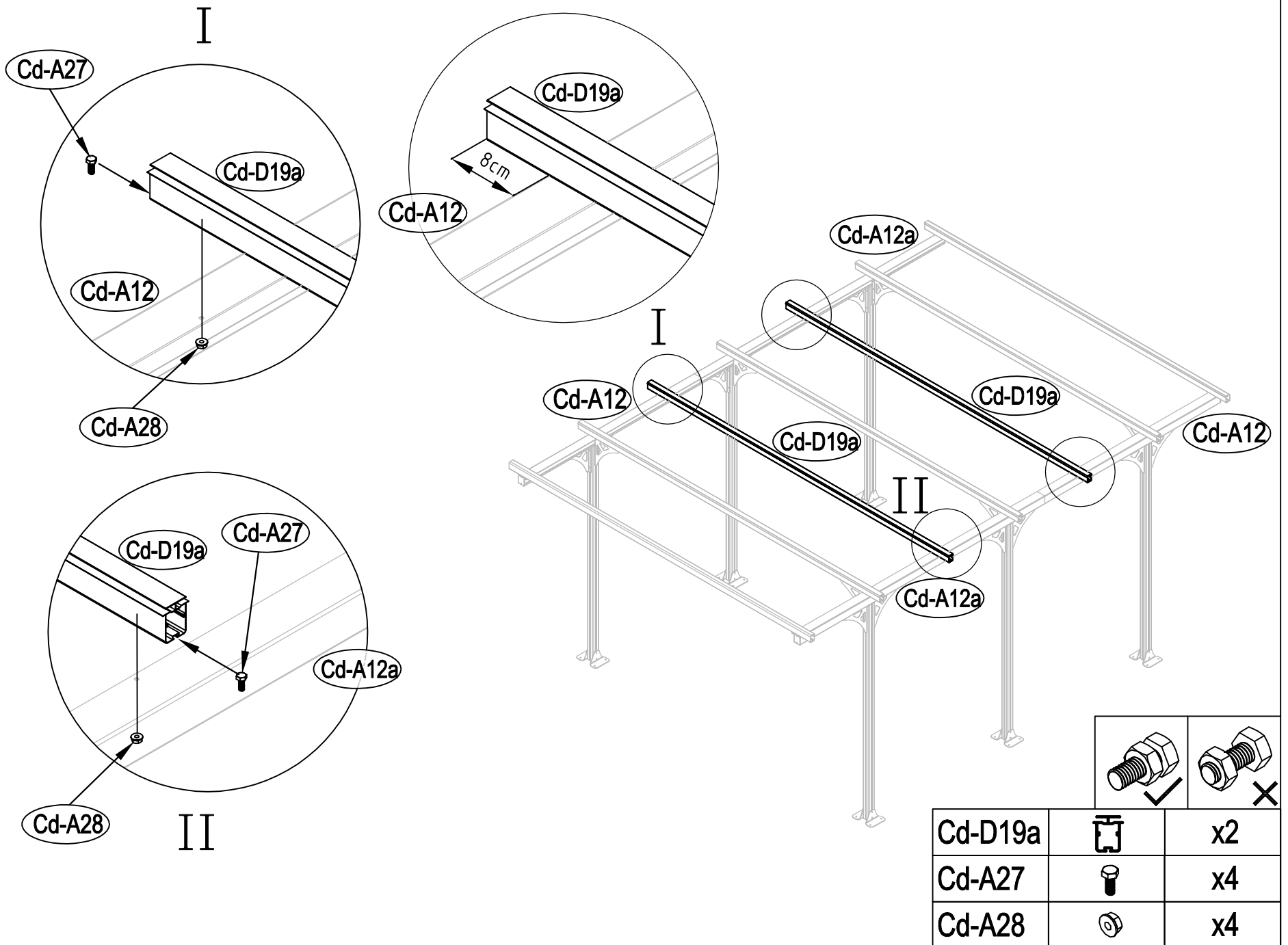
13



14

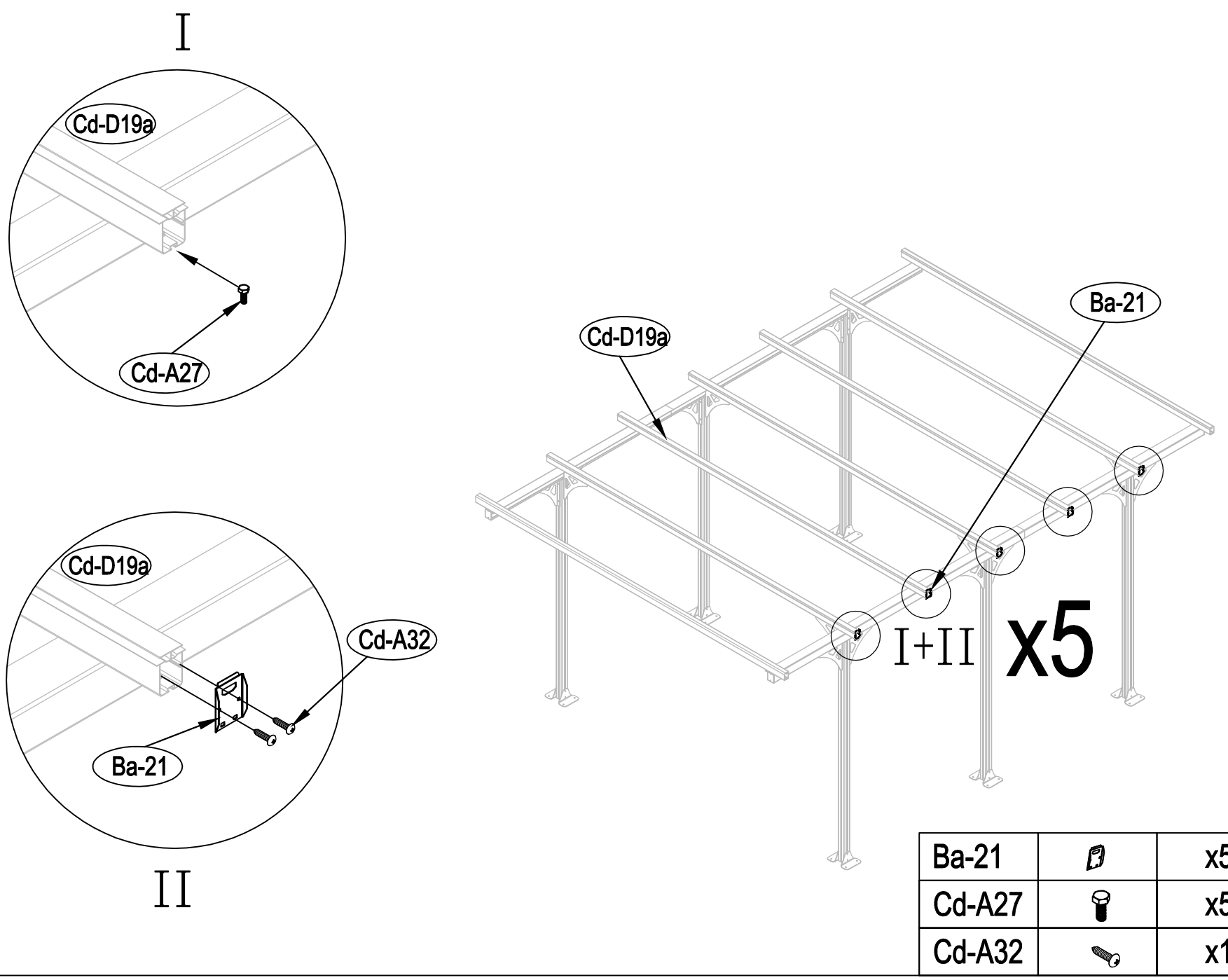


15



| | | |
|---------|--|----|
| | | |
| Cd-D19a | | x2 |
| Cd-A27 | | x4 |
| Cd-A28 | | x4 |

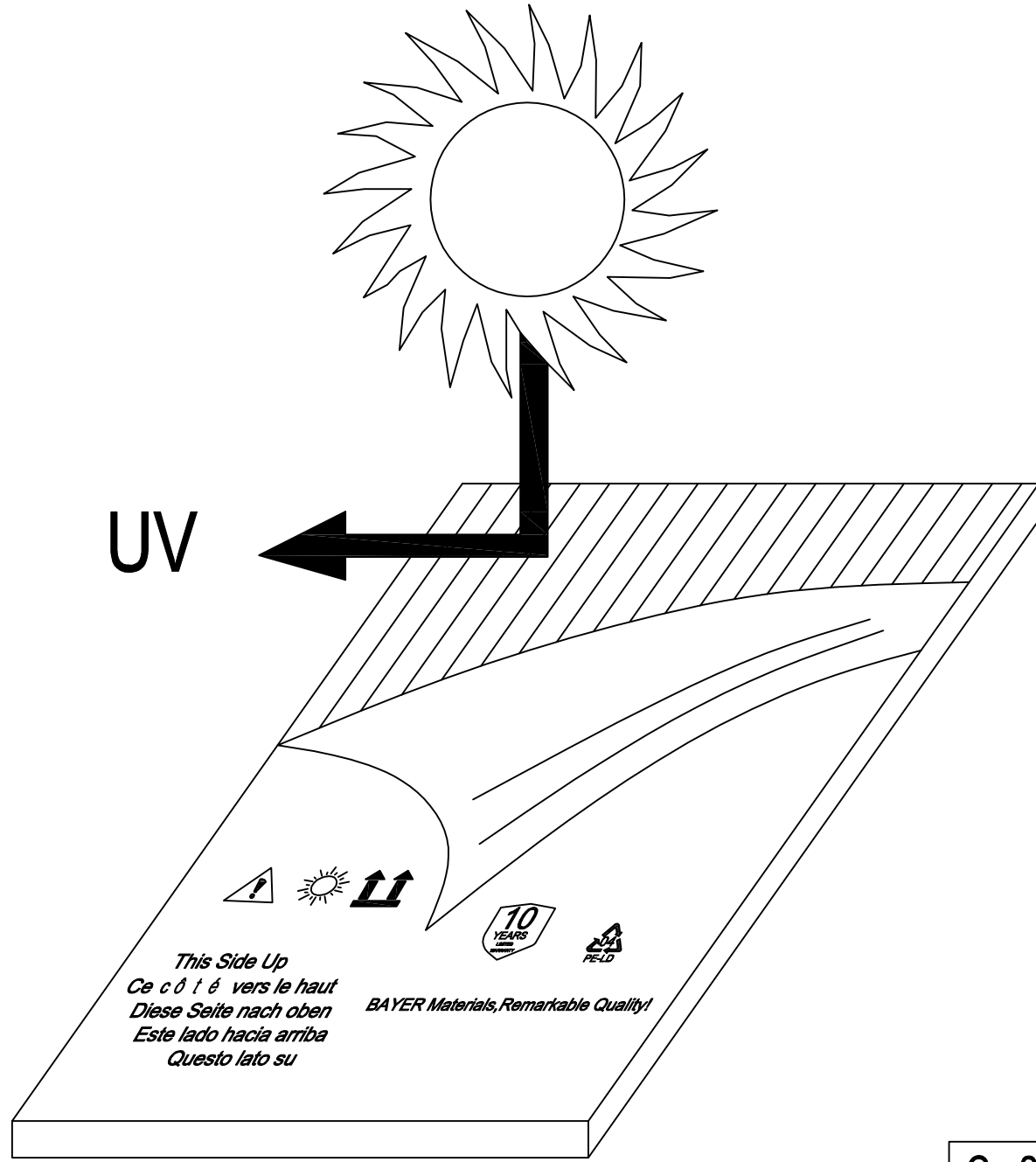
16



| | | |
|--------|--|-----|
| Ba-21 | | x5 |
| Cd-A27 | | x5 |
| Cd-A32 | | x10 |

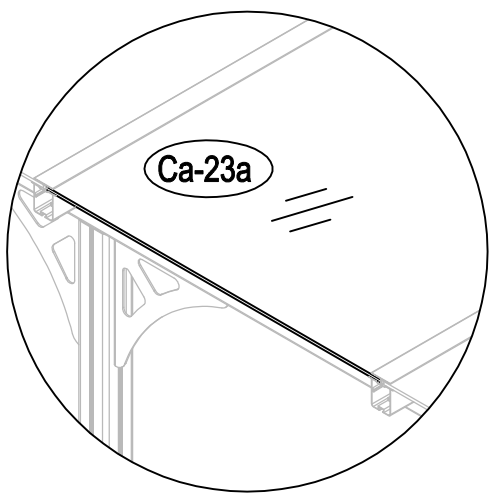
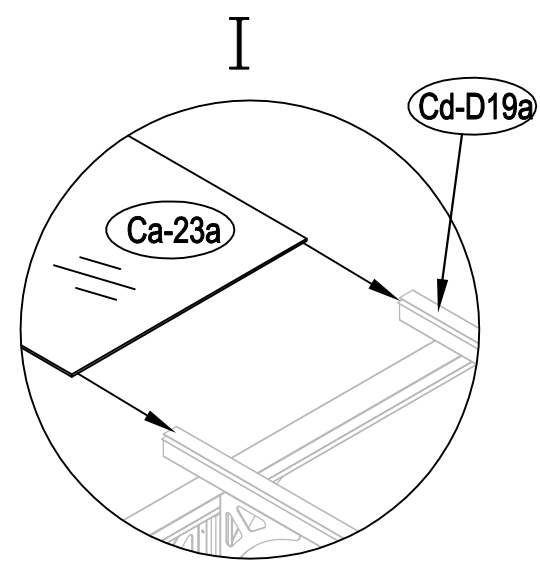


17

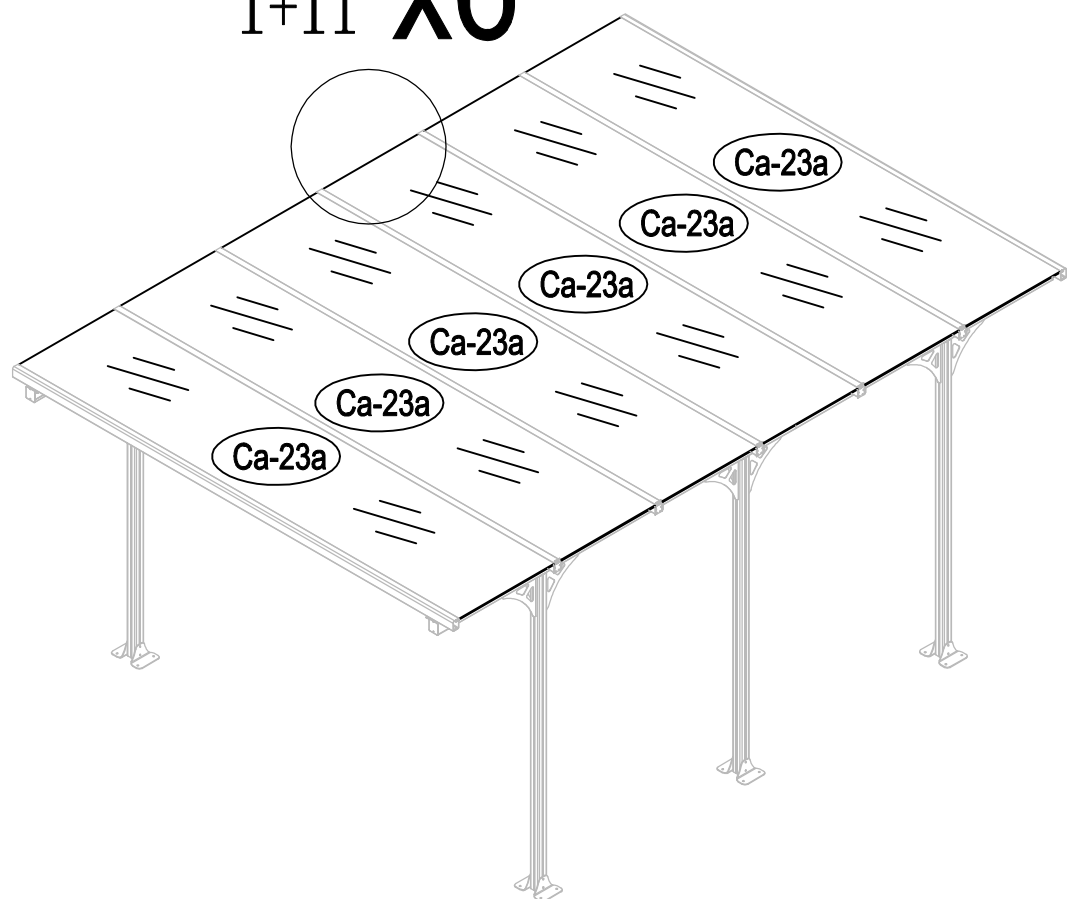


| | | |
|--------|--|----|
| Ca-23a | | x6 |
|--------|--|----|

18



I+II x6

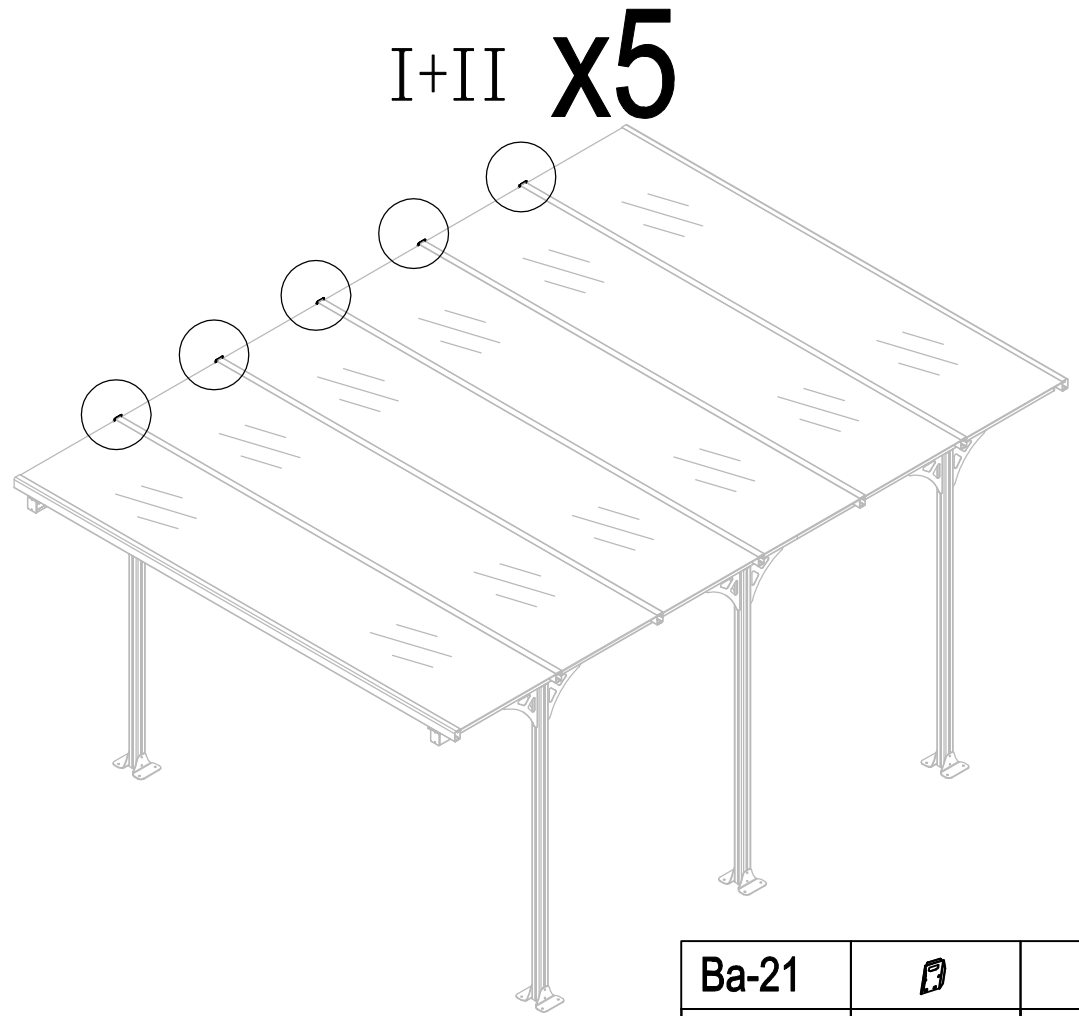
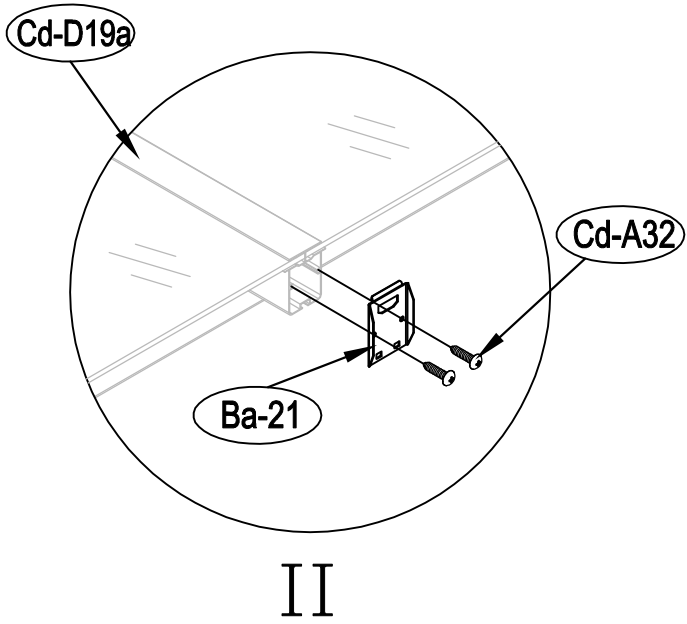
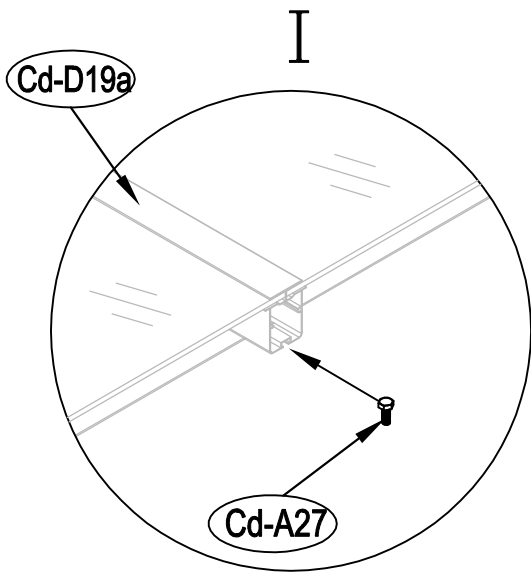





| | | |
|--------|--|----|
| Ca-23a | | x6 |
|--------|--|----|

9

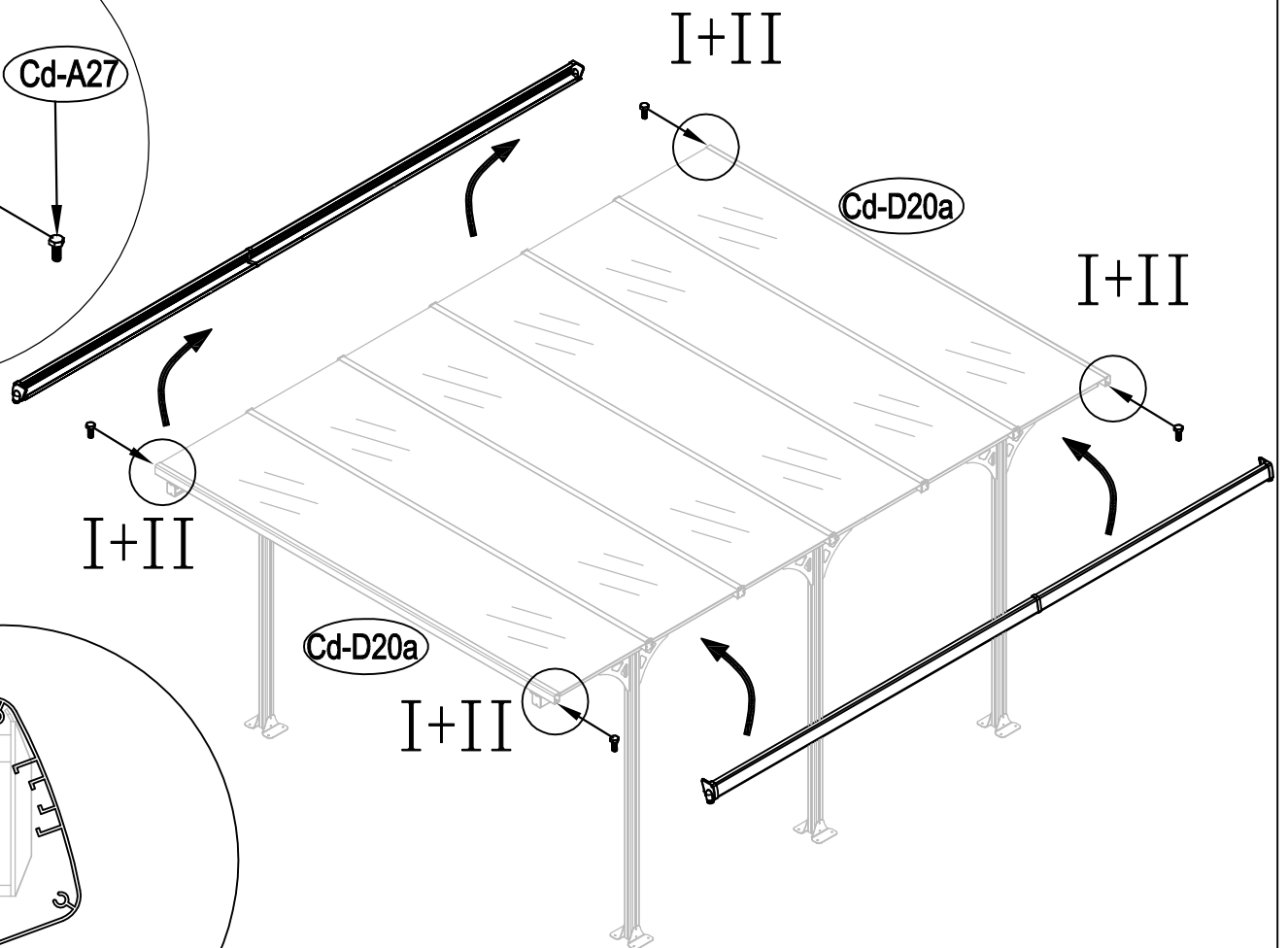
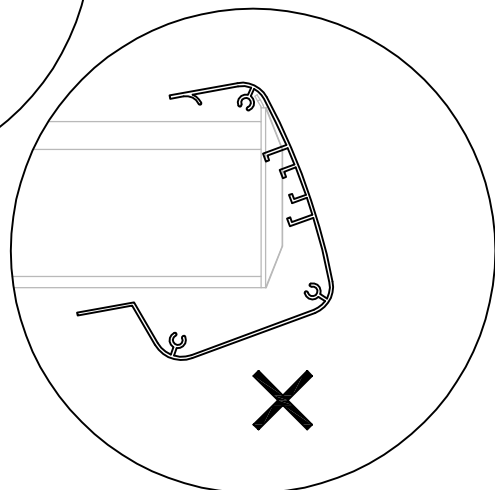
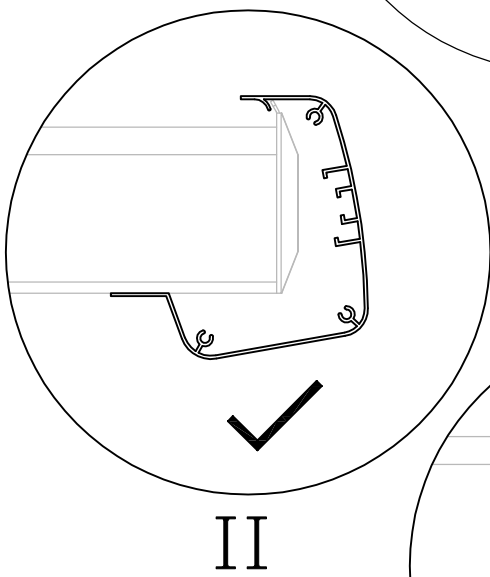
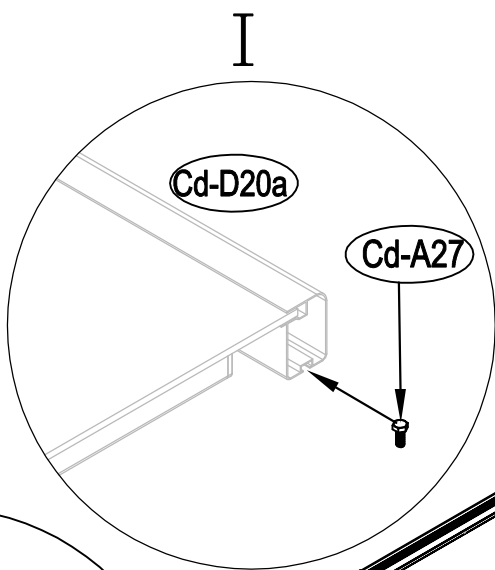


19



| | | |
|--------|---|-----|
| Ba-21 |  | x5 |
| Cd-A27 |  | x5 |
| Cd-A32 |  | x10 |

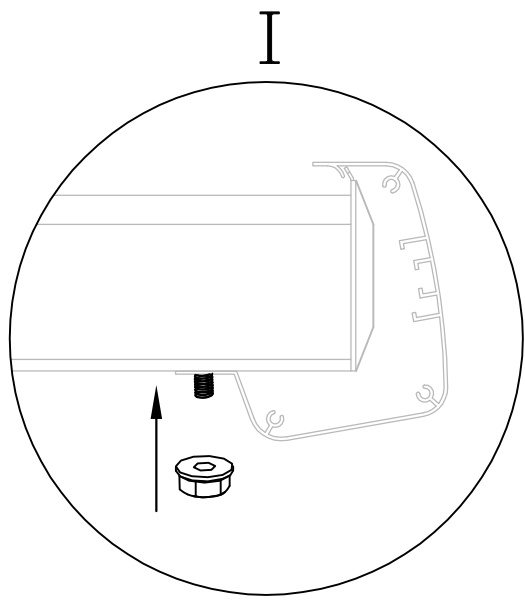
20



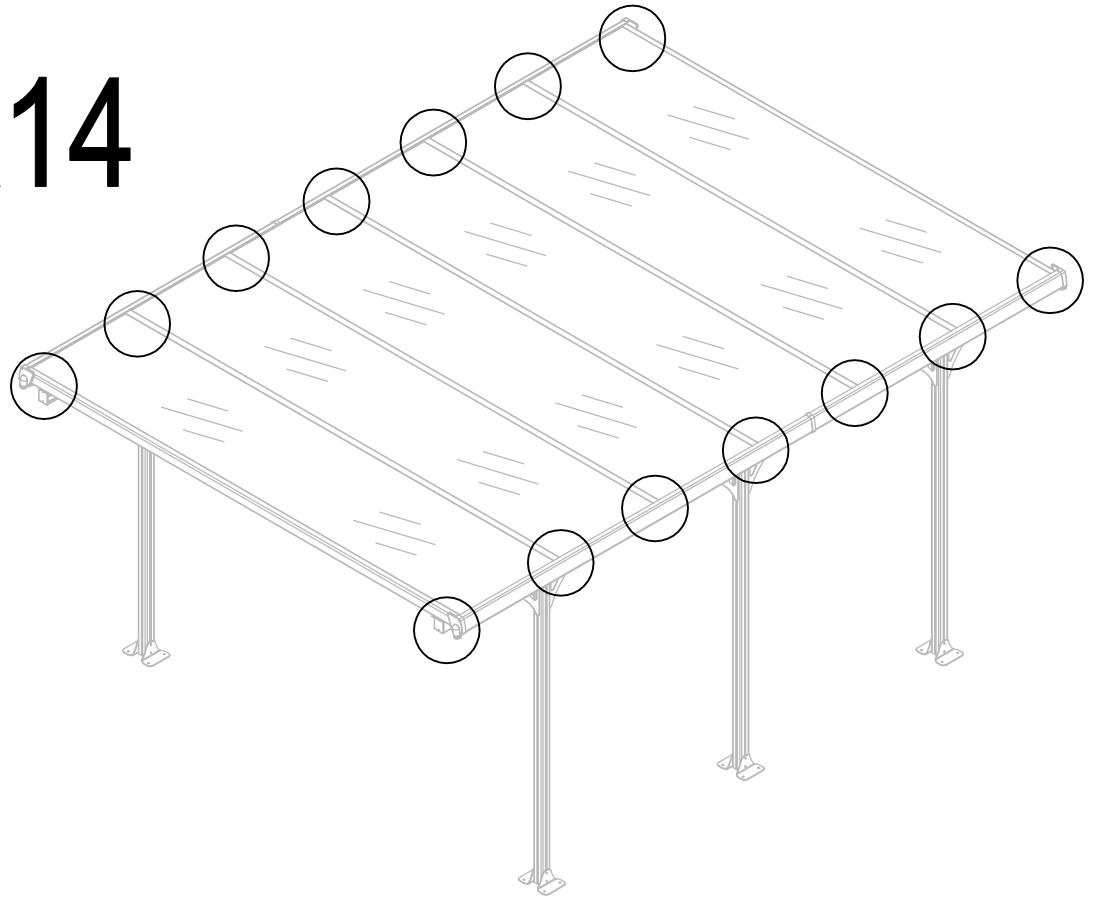
| | | |
|--------|---|----|
| Cd-A27 |  | x4 |
|--------|---|----|



21

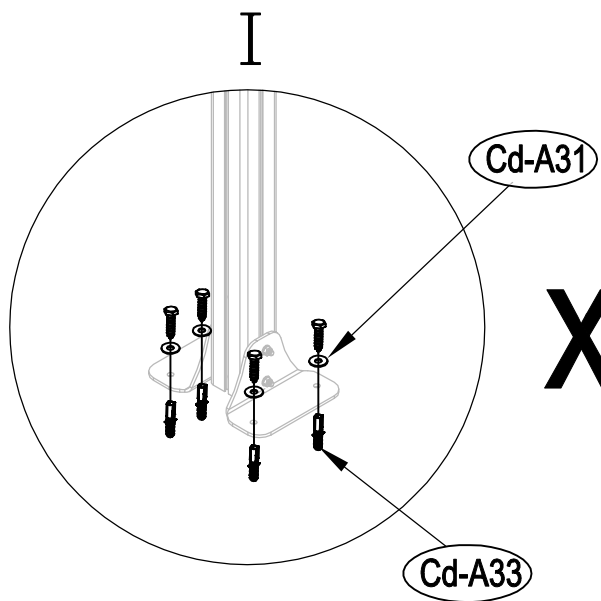
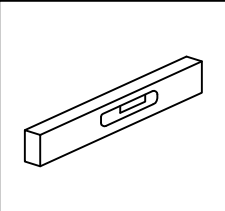


x14

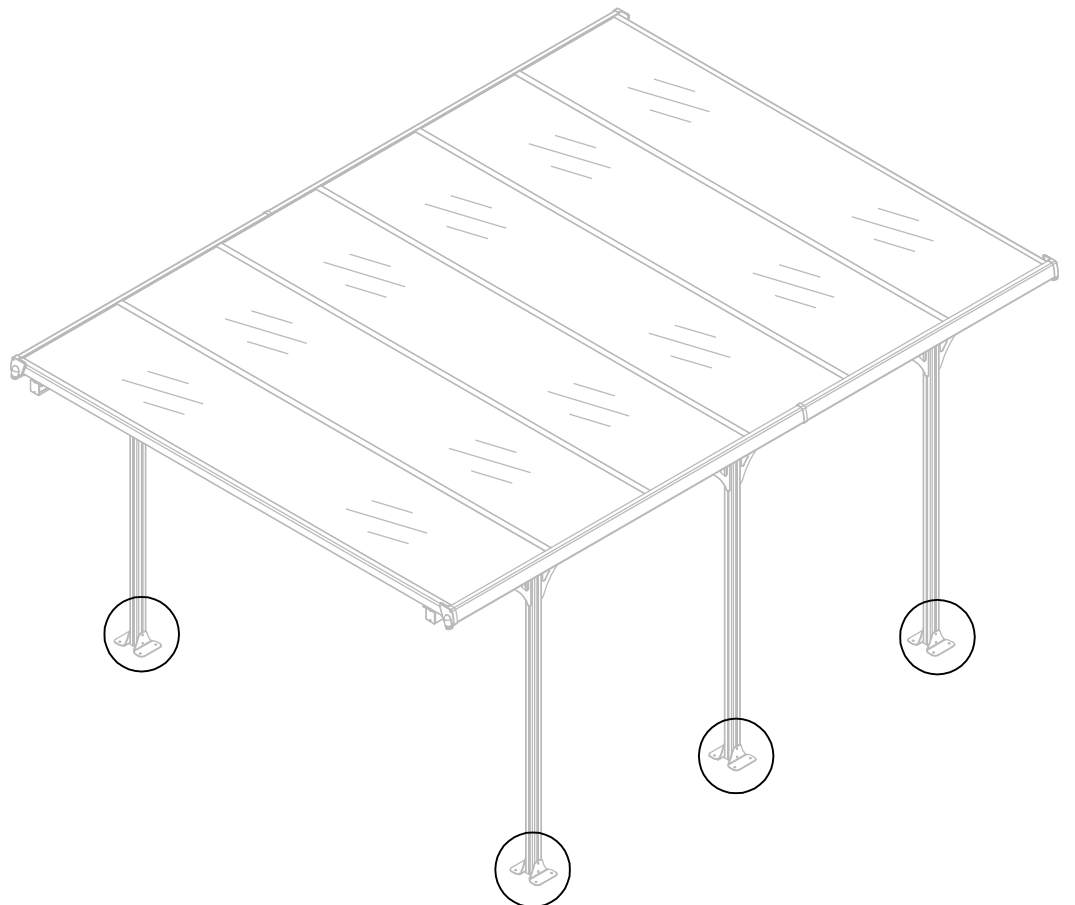


| | | |
|--------|--|-----|
| Cd-A28 | | x14 |
|--------|--|-----|

22



x 6

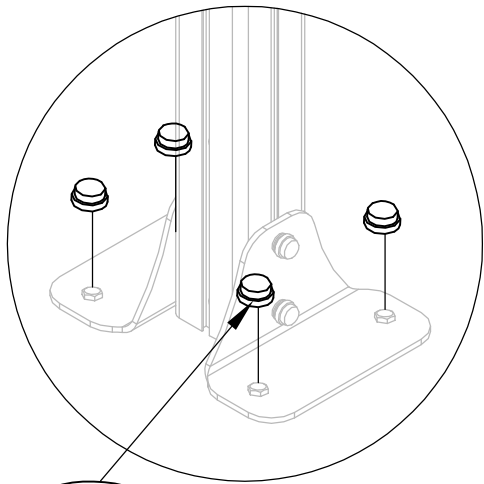
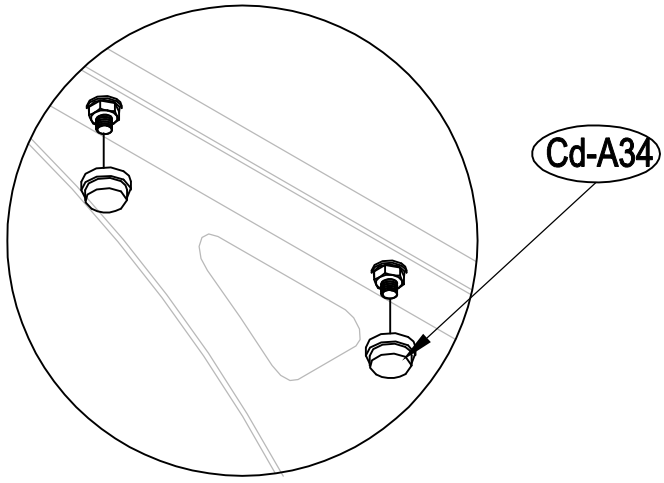


| | | |
|--------|--|-----|
| Cd-A31 | | x24 |
| Cd-A33 | | x24 |



23

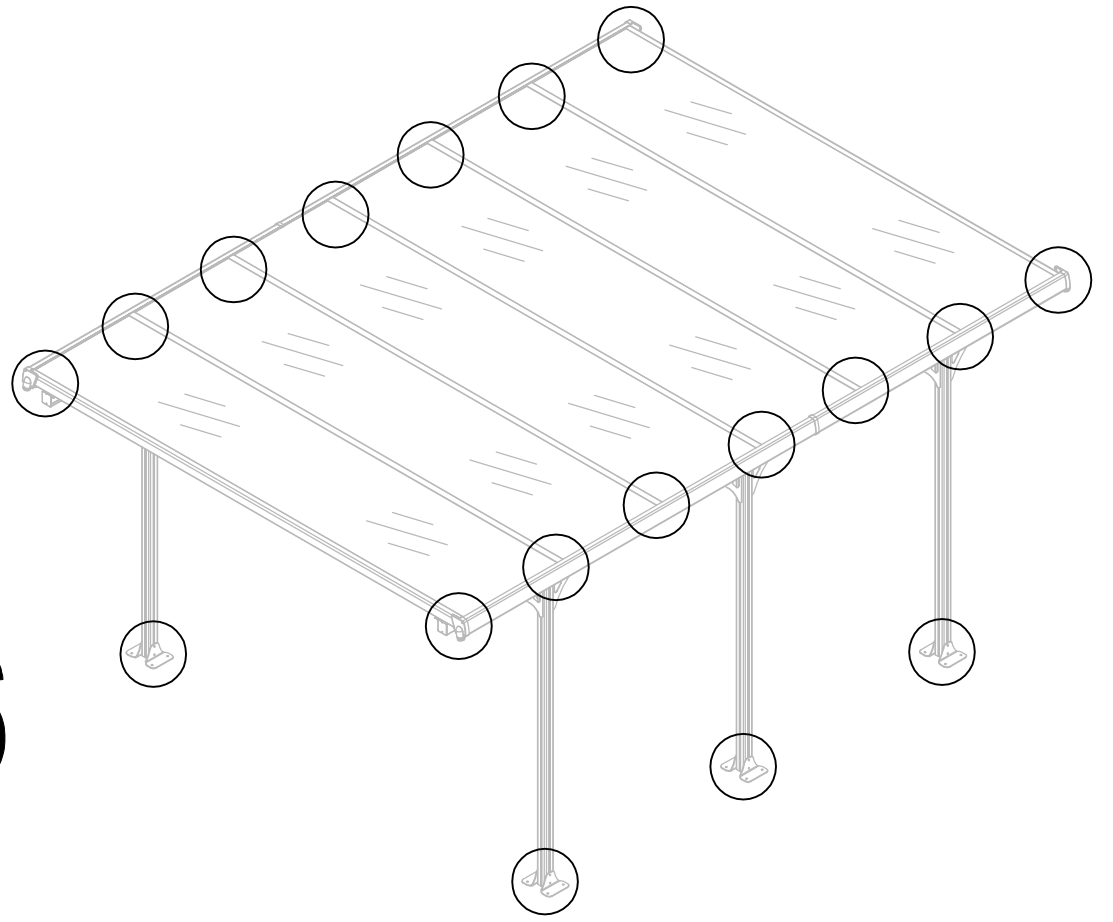
I





Cd-A35

II

x 6



| | | |
|--------|---|------|
| Cd-A34 |  | x124 |
| Cd-A35 |  | x24 |

