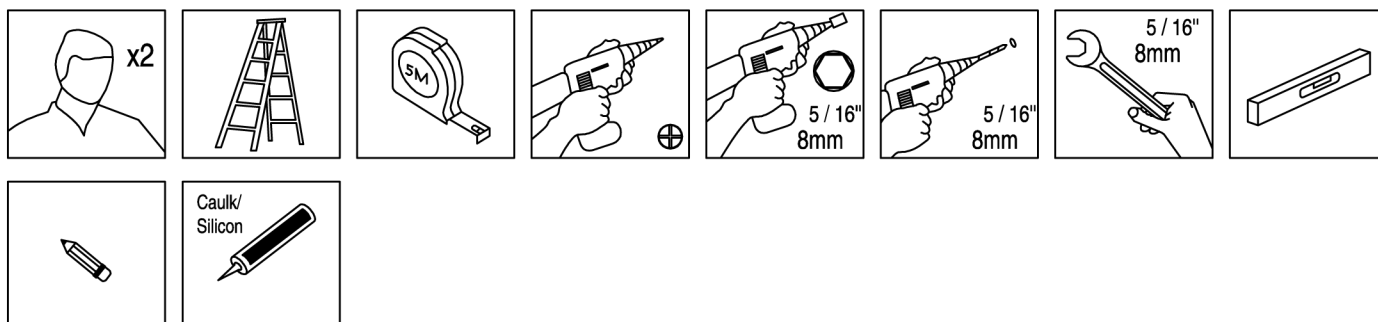
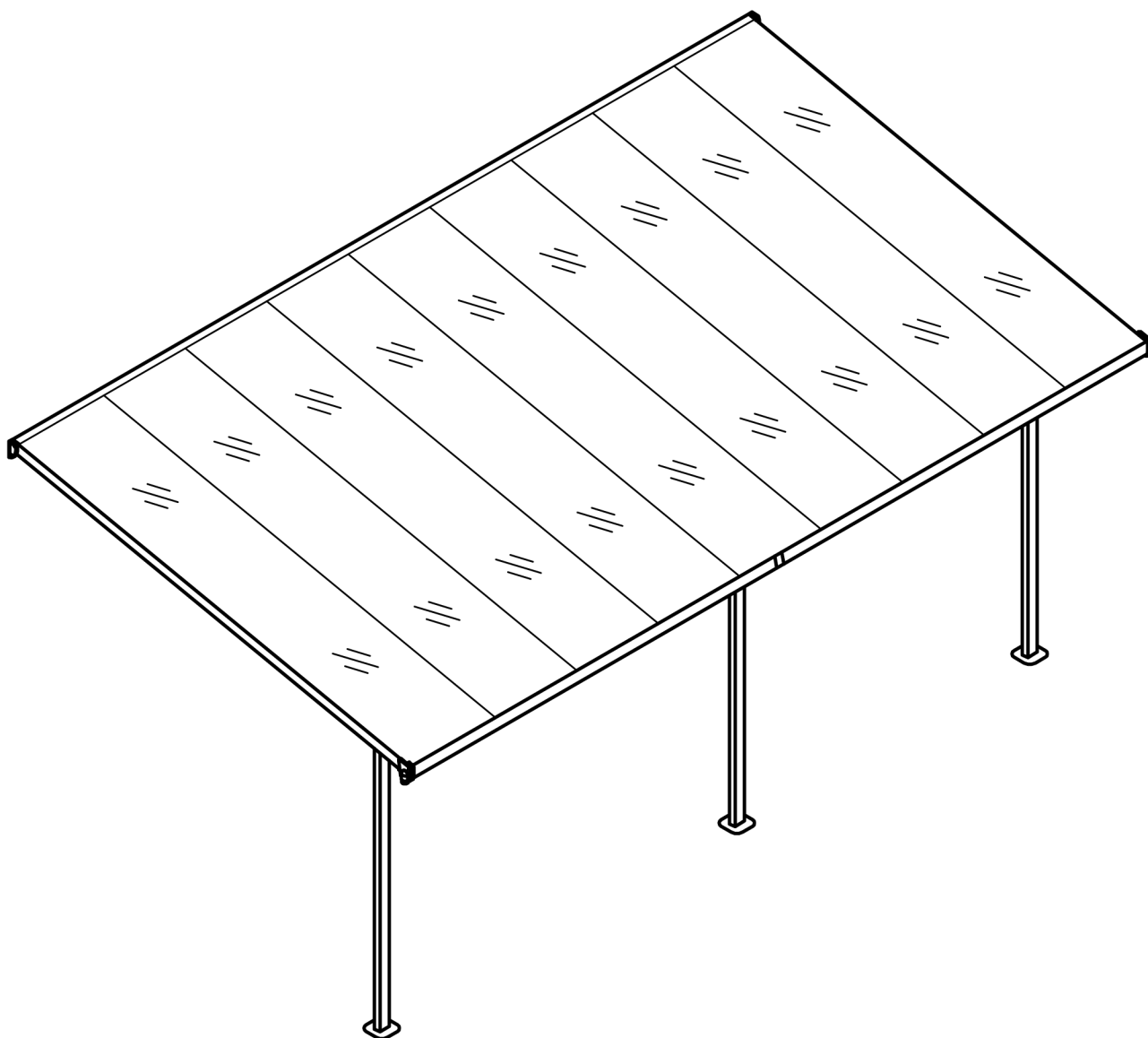


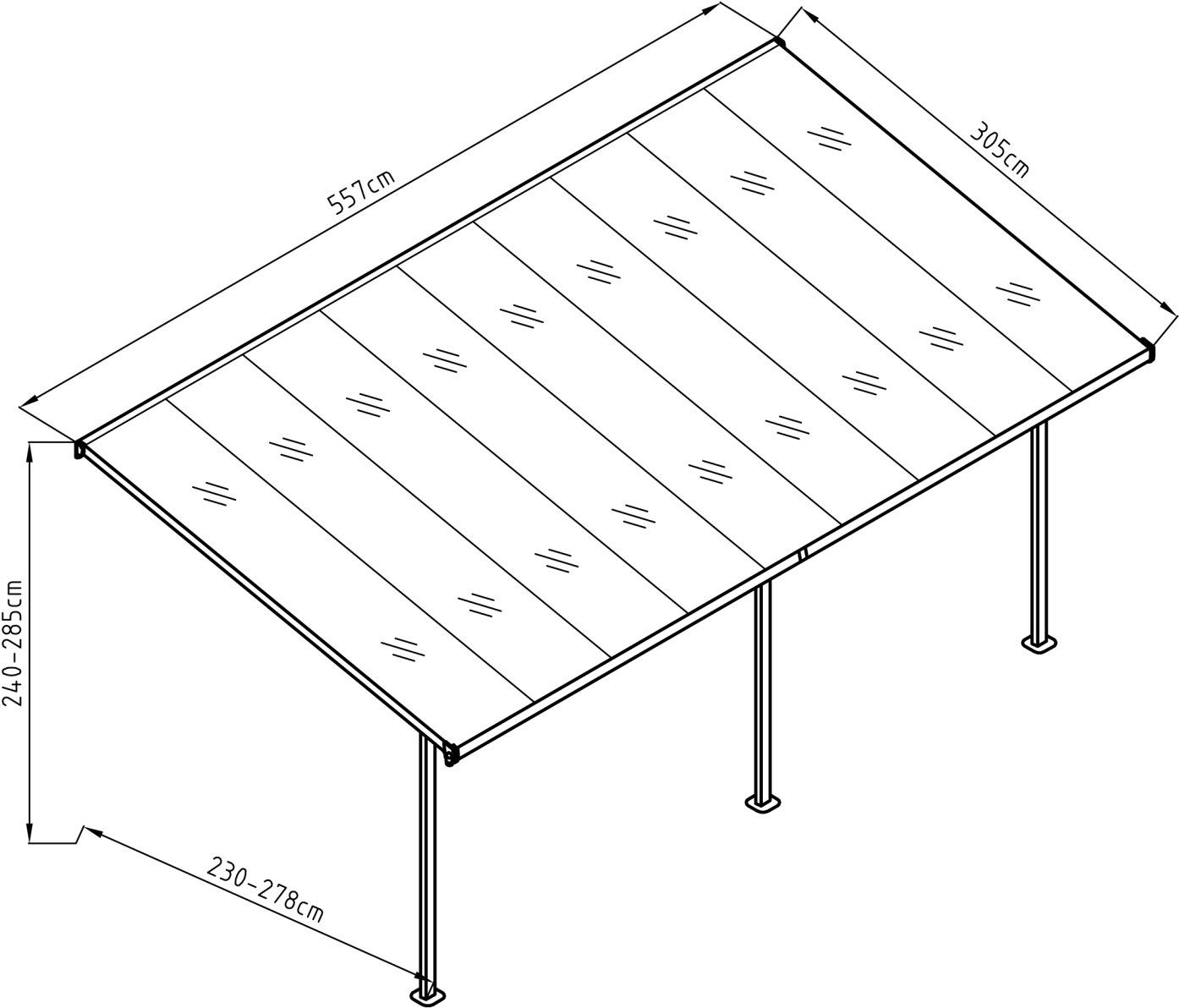
HARDMAISTER

Wiata tarasowa Patio cover

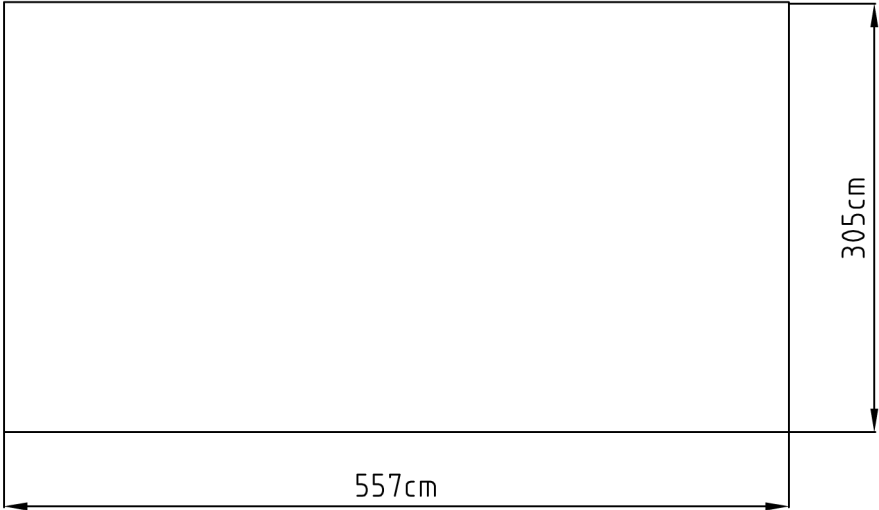
Instrukcja montażu ATLANTA 18.3x10
Assembly instructions ATLANTA 18.3x10

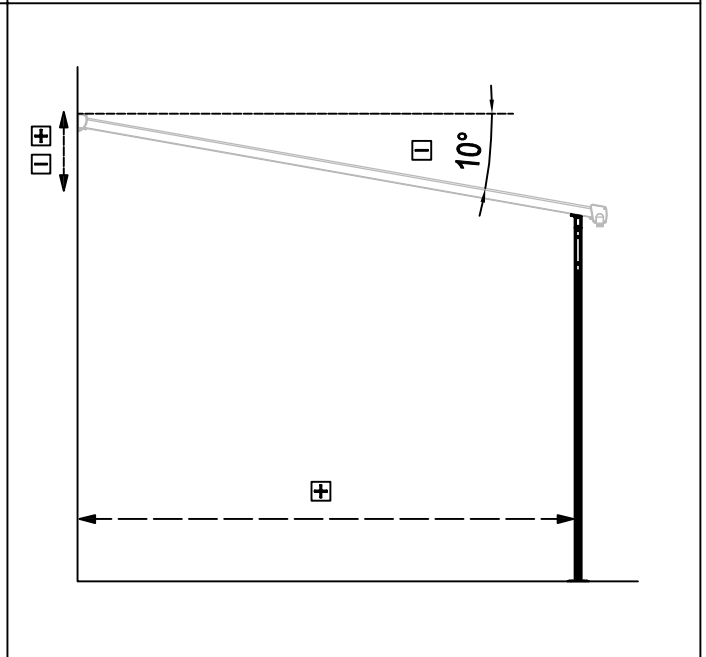
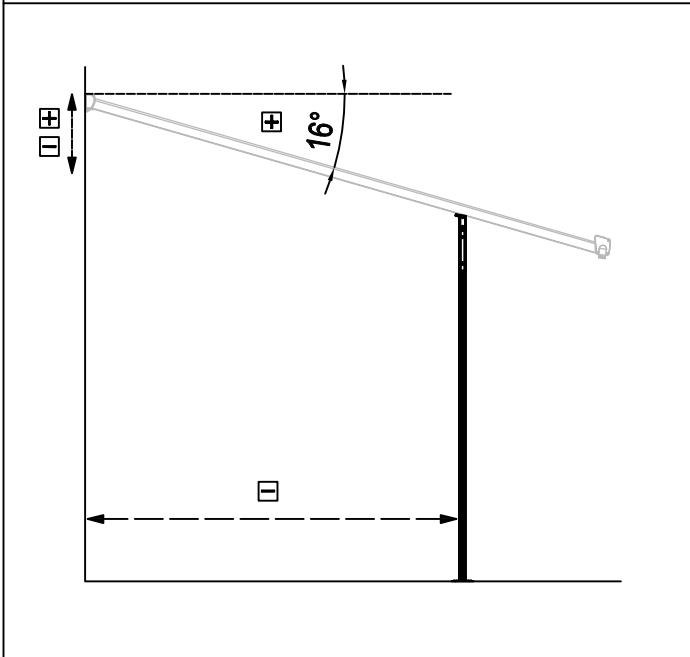
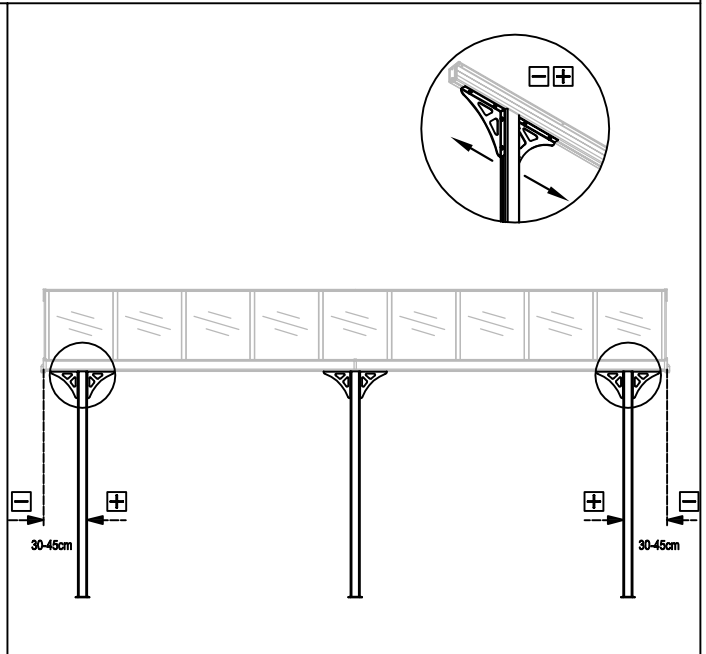
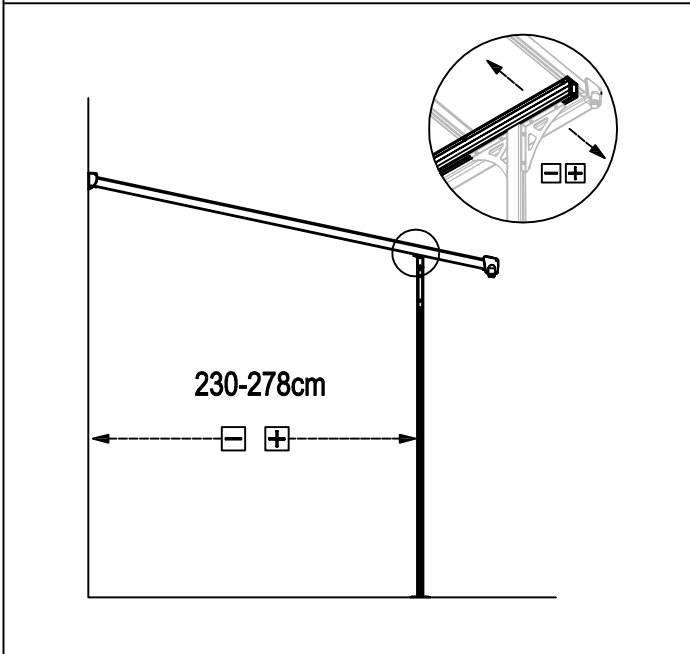
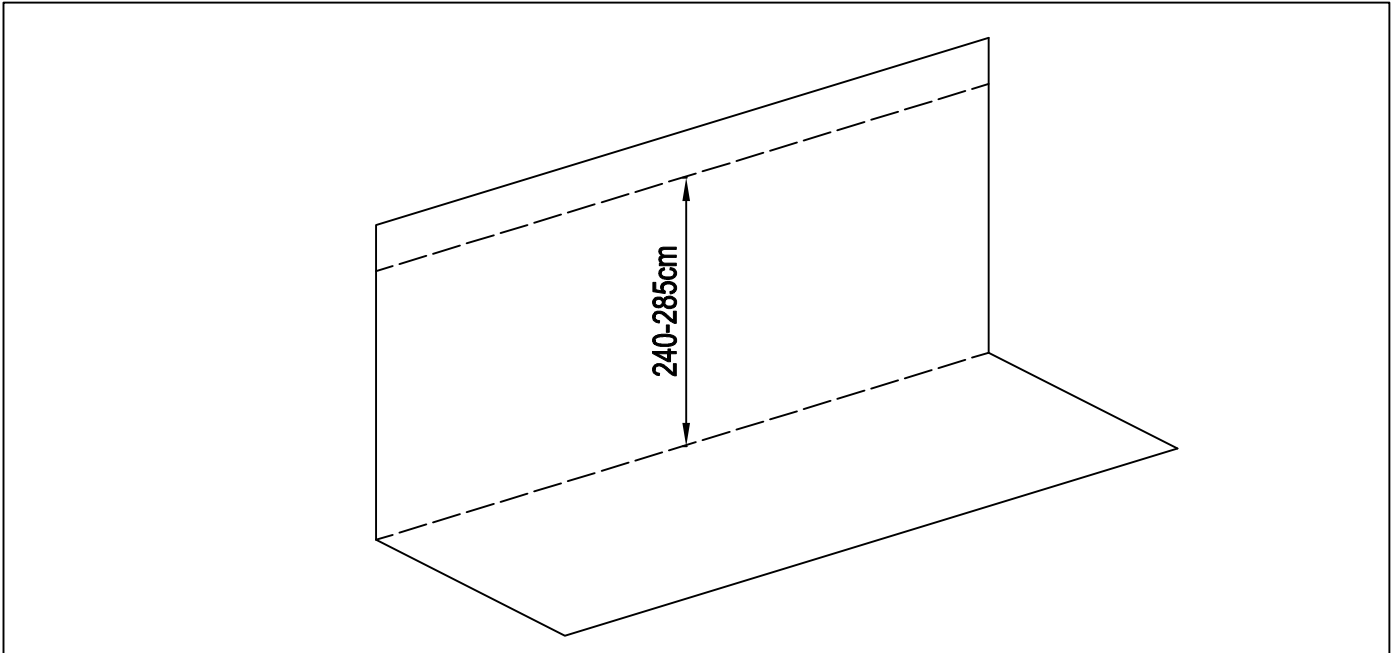


Wymiar wiaty ATLANTA 18.3x10 :
Size of ATLANTA 18.3x10 :

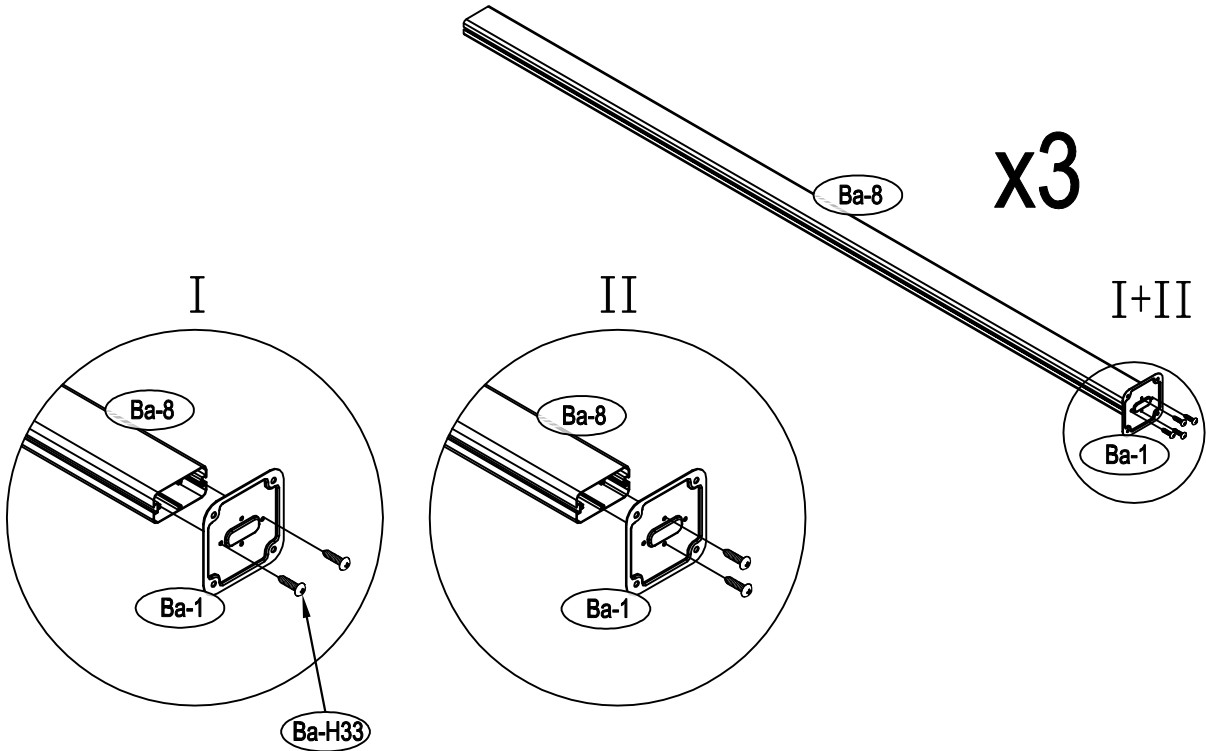


Wymagana powierzchnia podstawy:
Area of installation requirement:



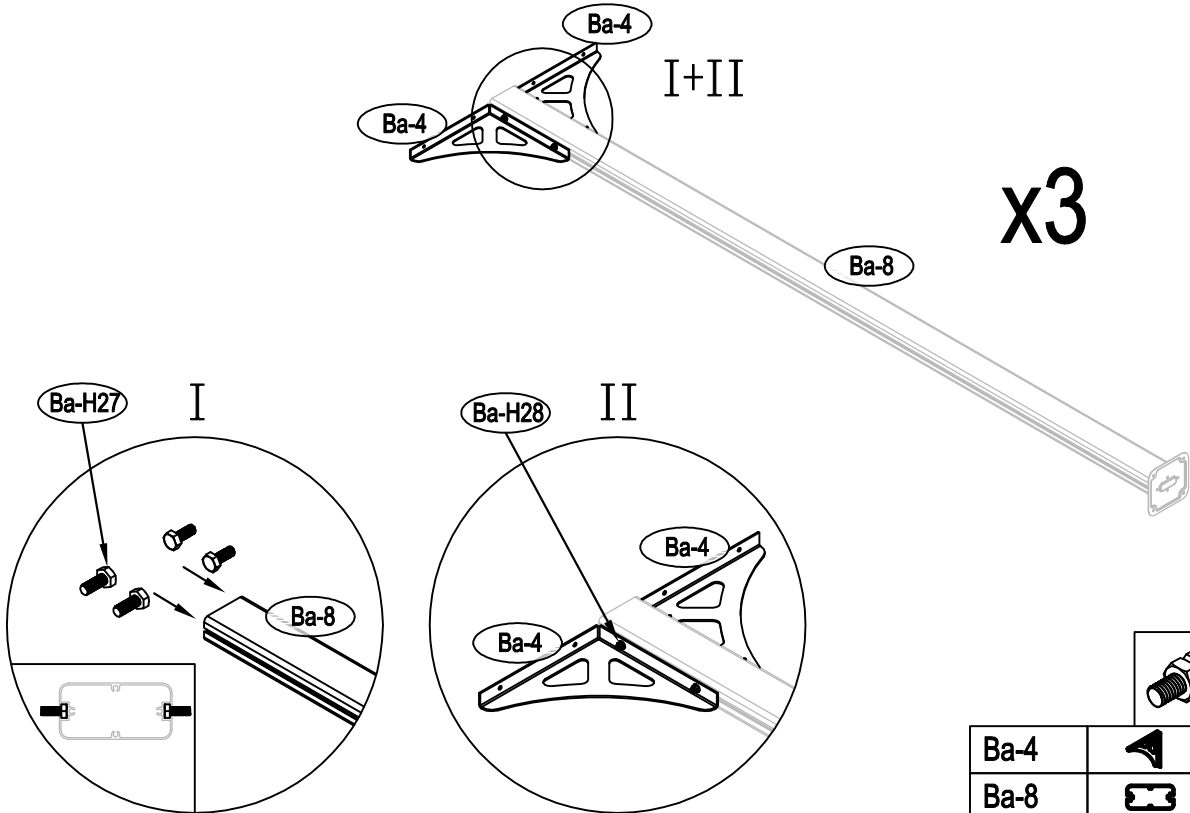


1



Ba-1		x3
Ba-8		x3
Ba-H33		x12

2

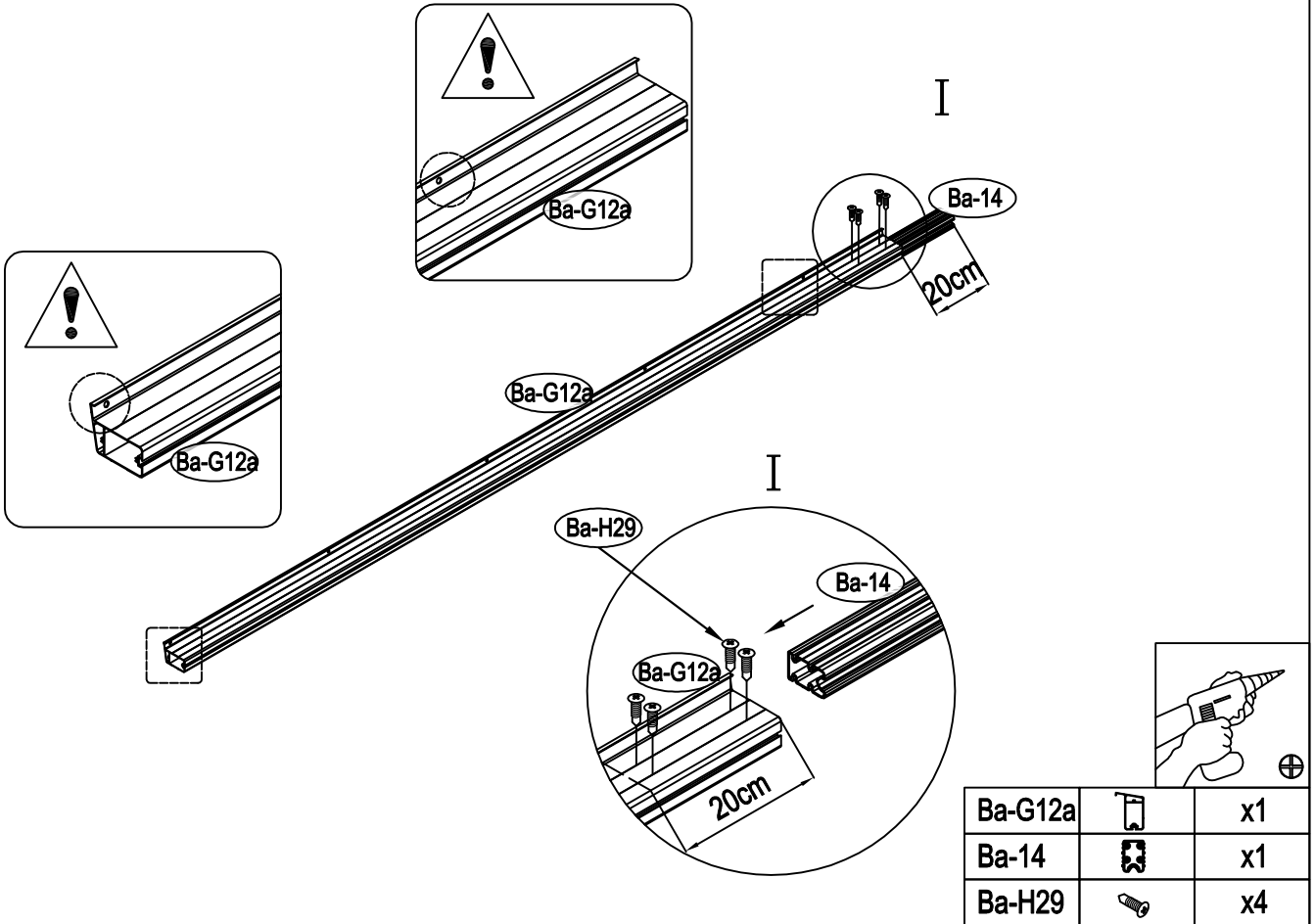


Ba-4		x6
Ba-8		x3
Ba-H27		x12
Ba-H28		x12

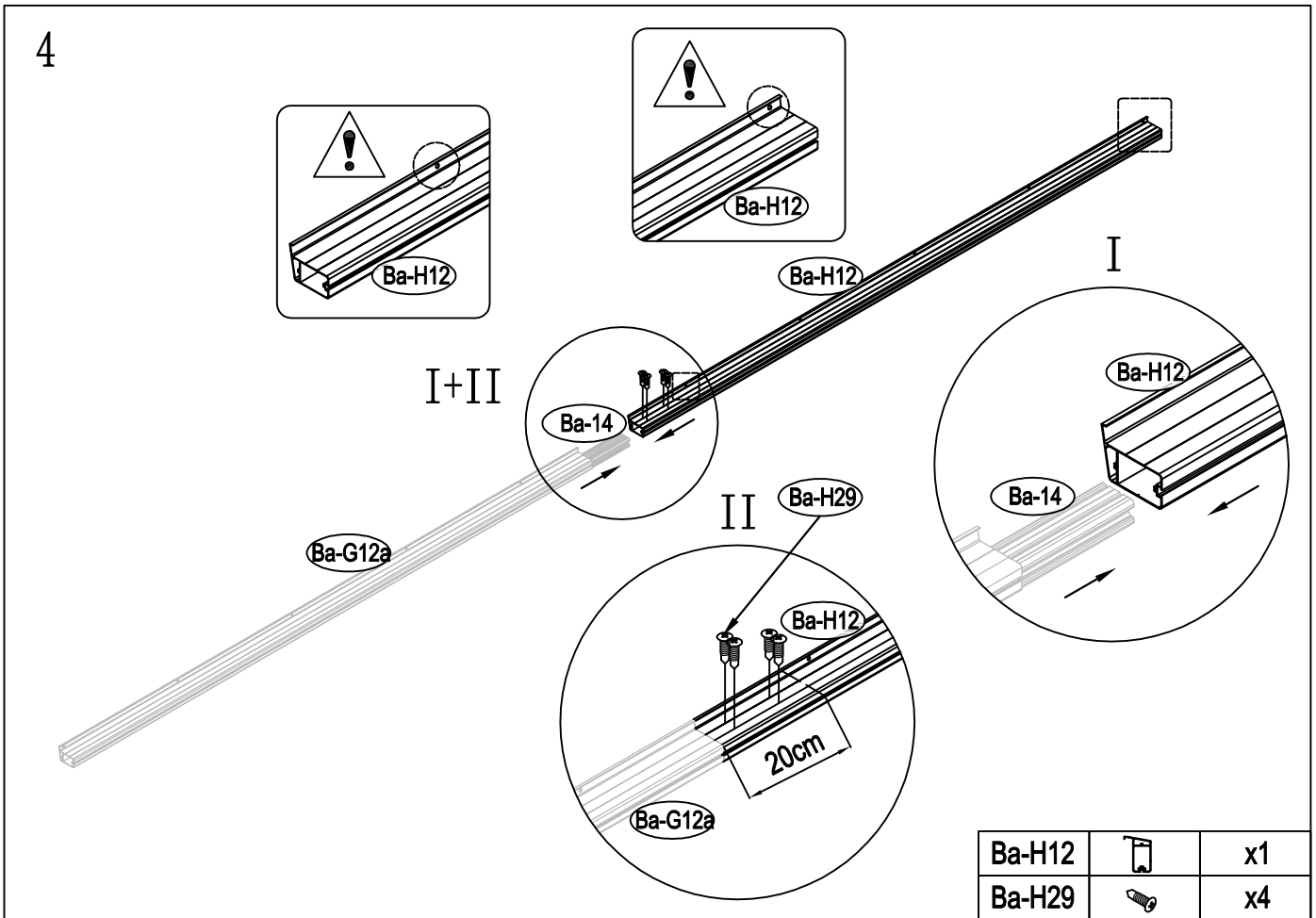
1



3



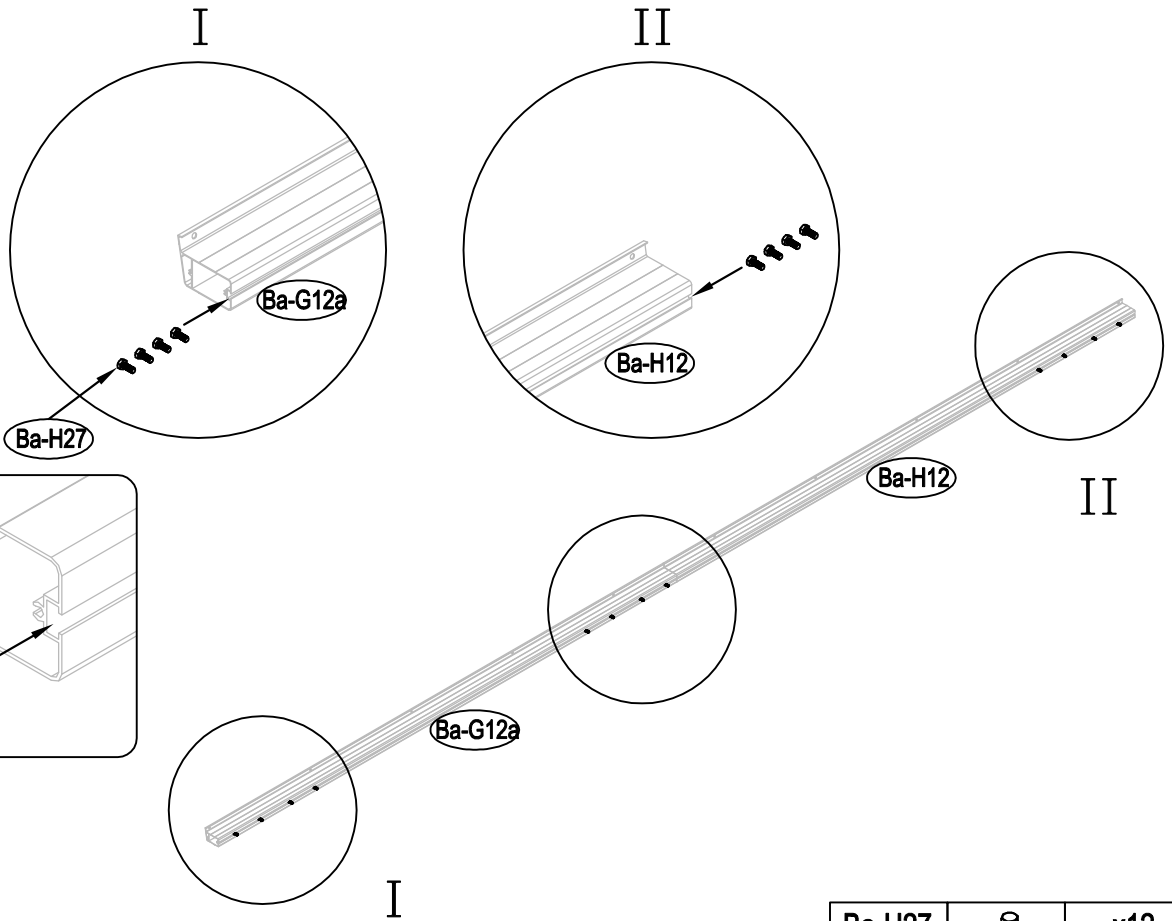
4



2

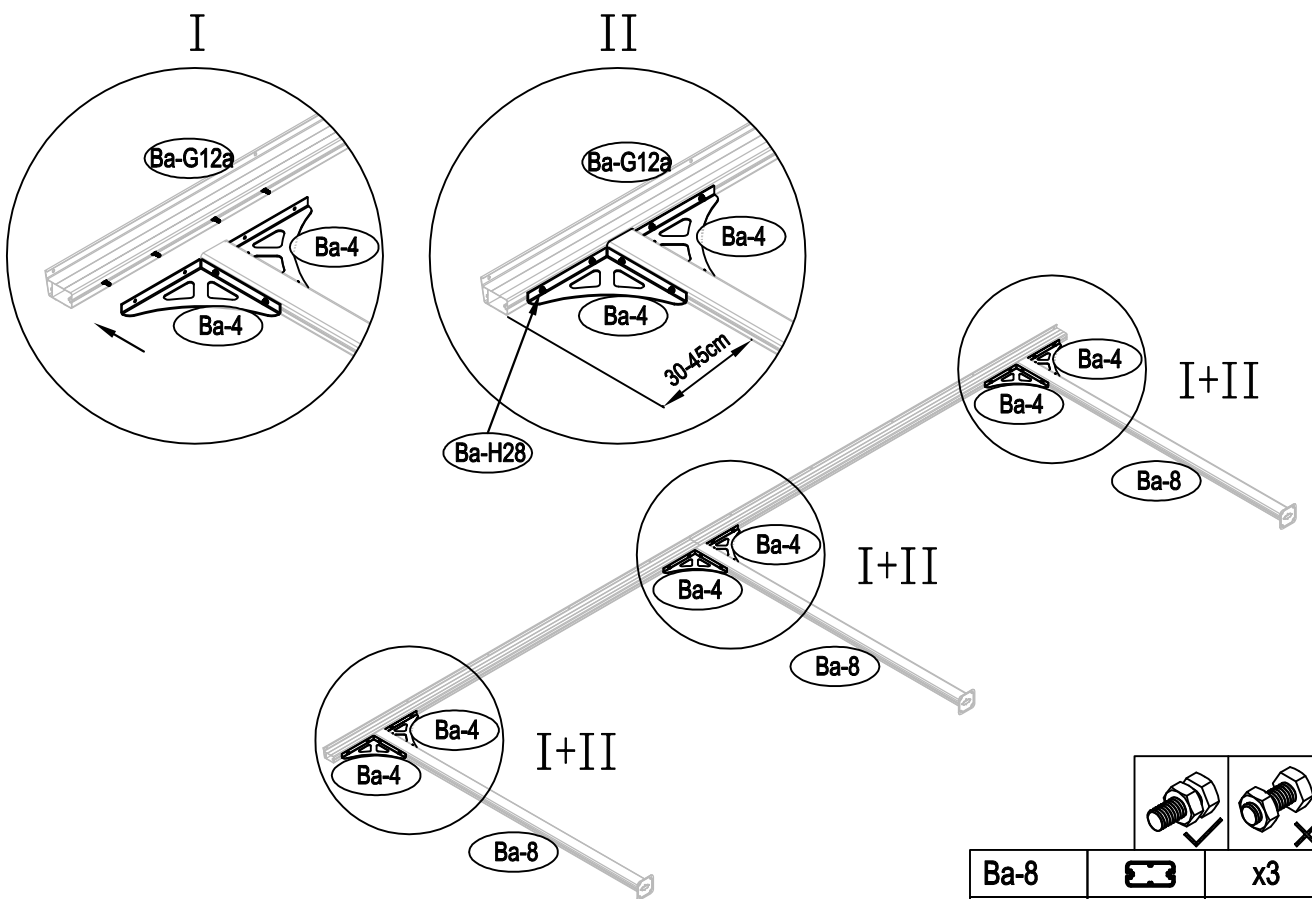


5



Ba-H27		x12
--------	--	-----

6

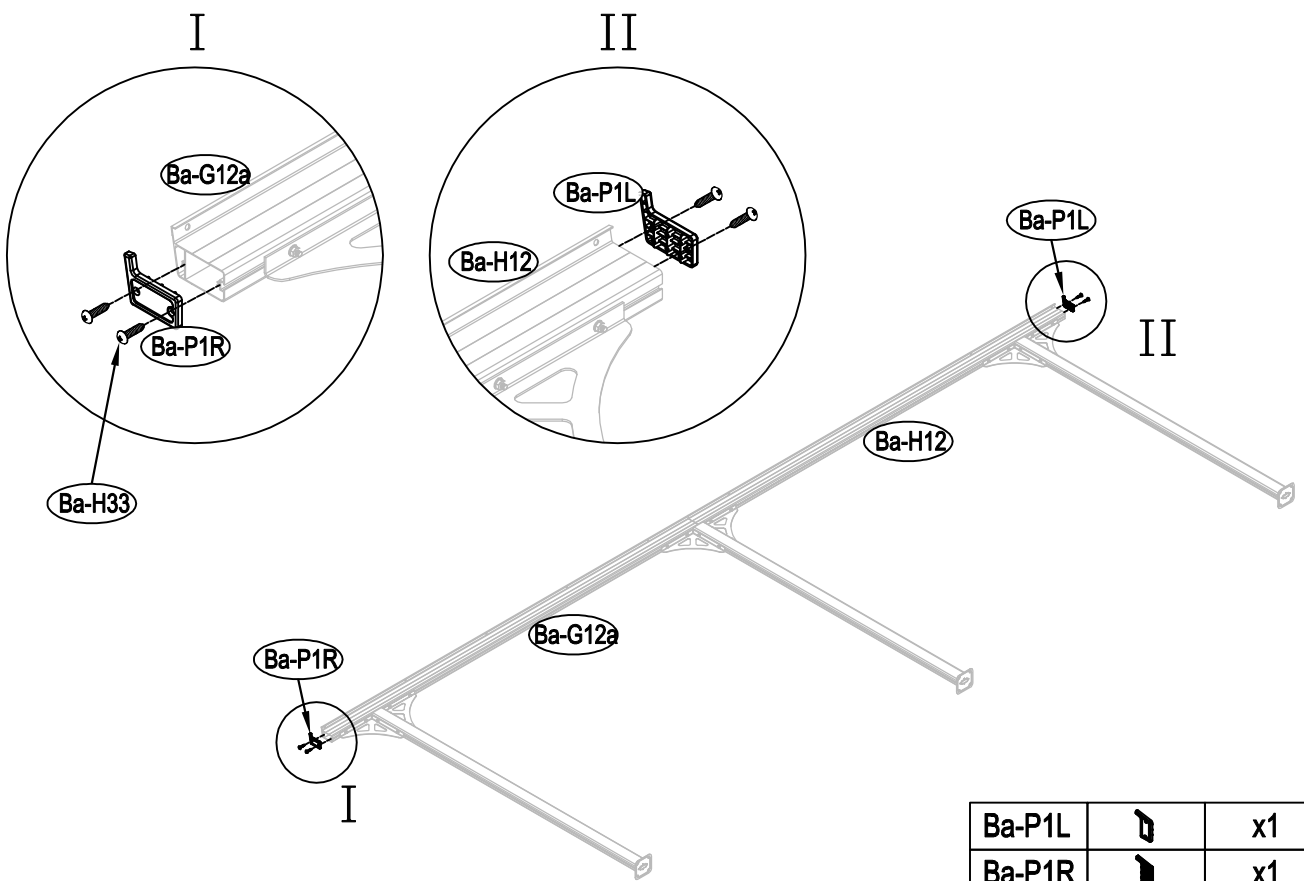


Ba-8		x3
Ba-H28		x12

3

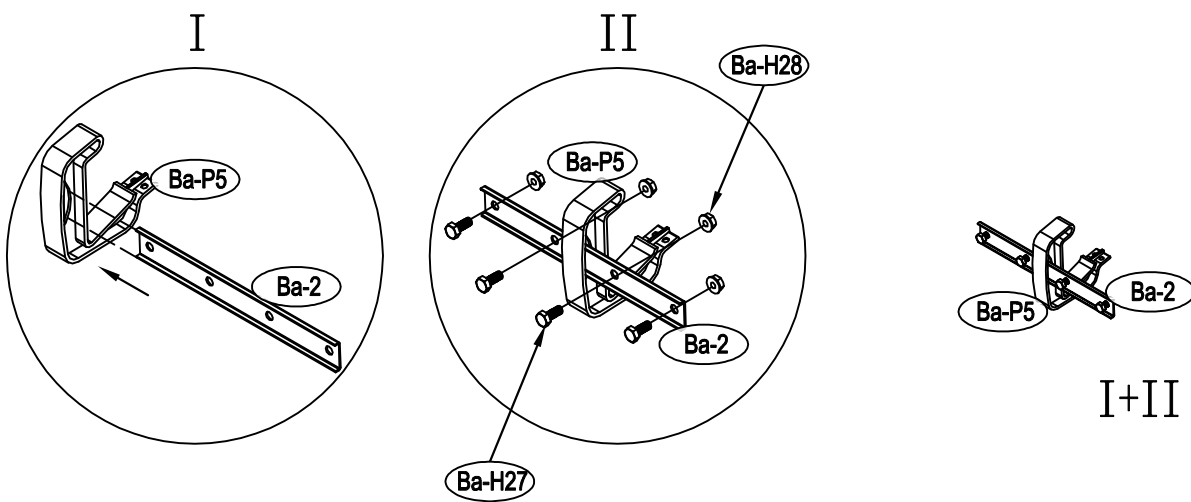


7



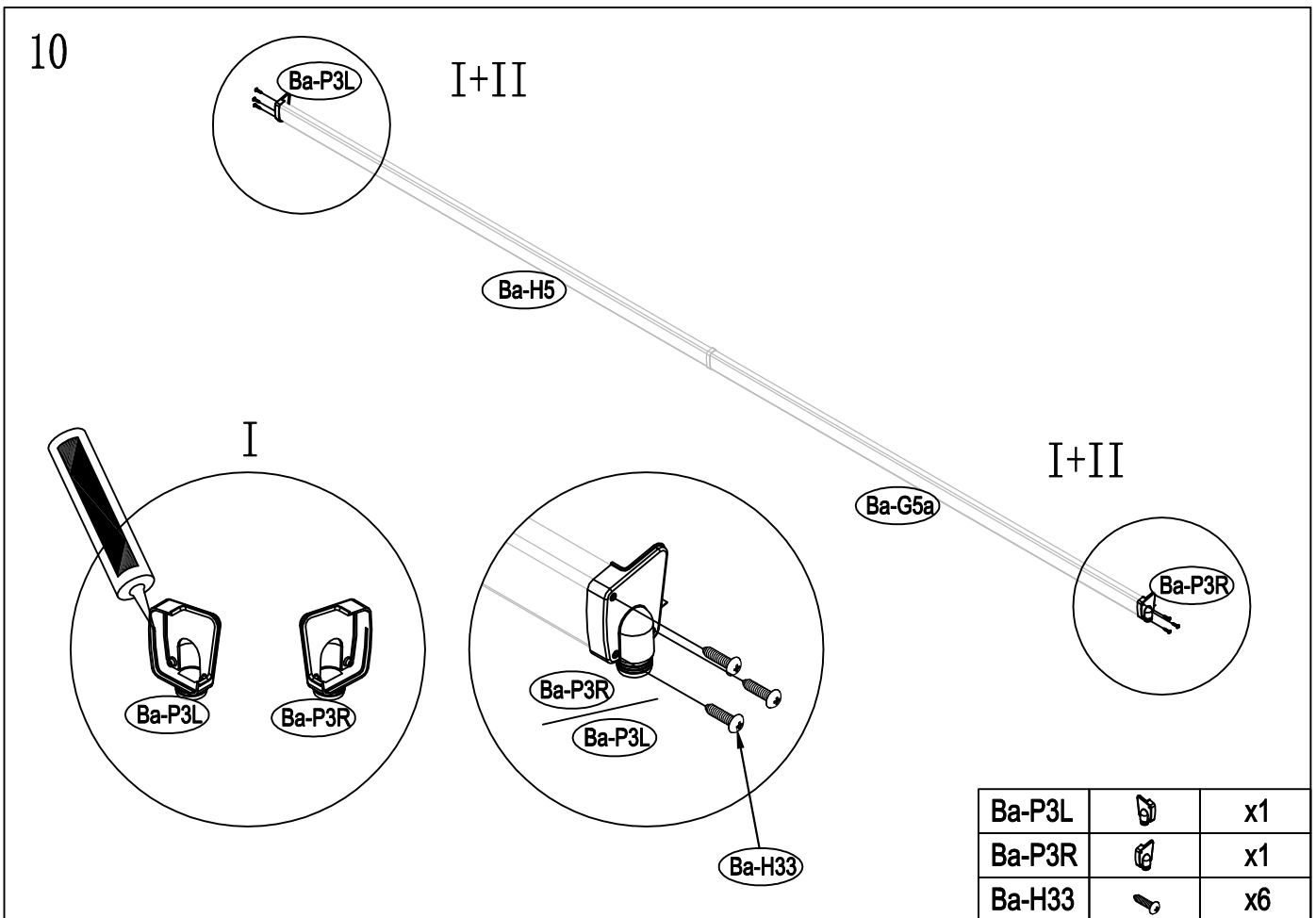
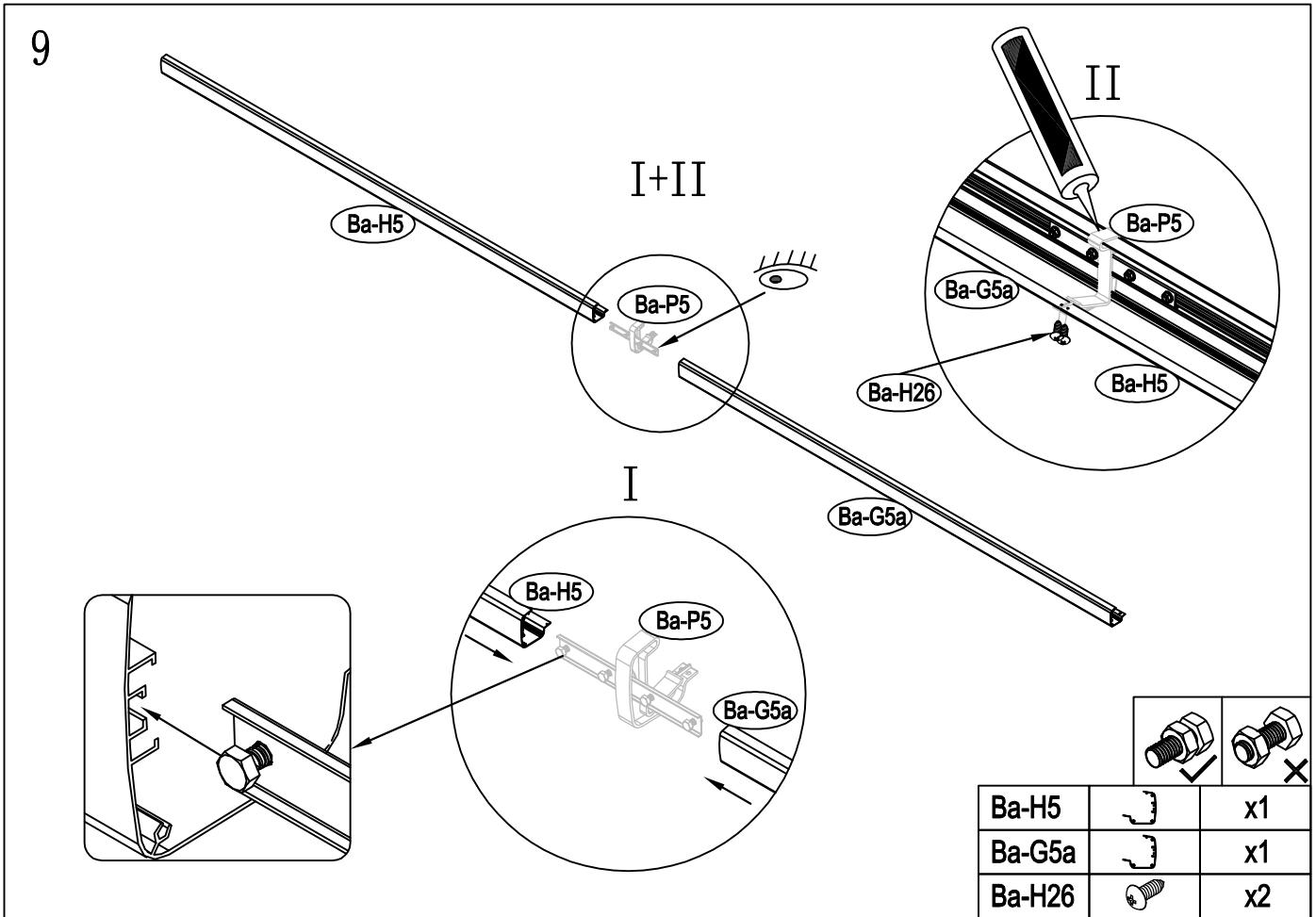
Ba-P1L		x1
Ba-P1R		x1
Ba-H33		x4

8

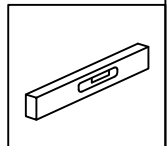
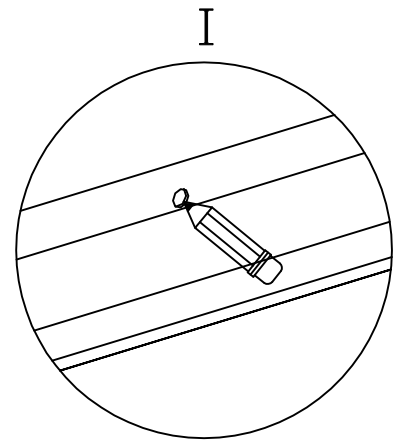
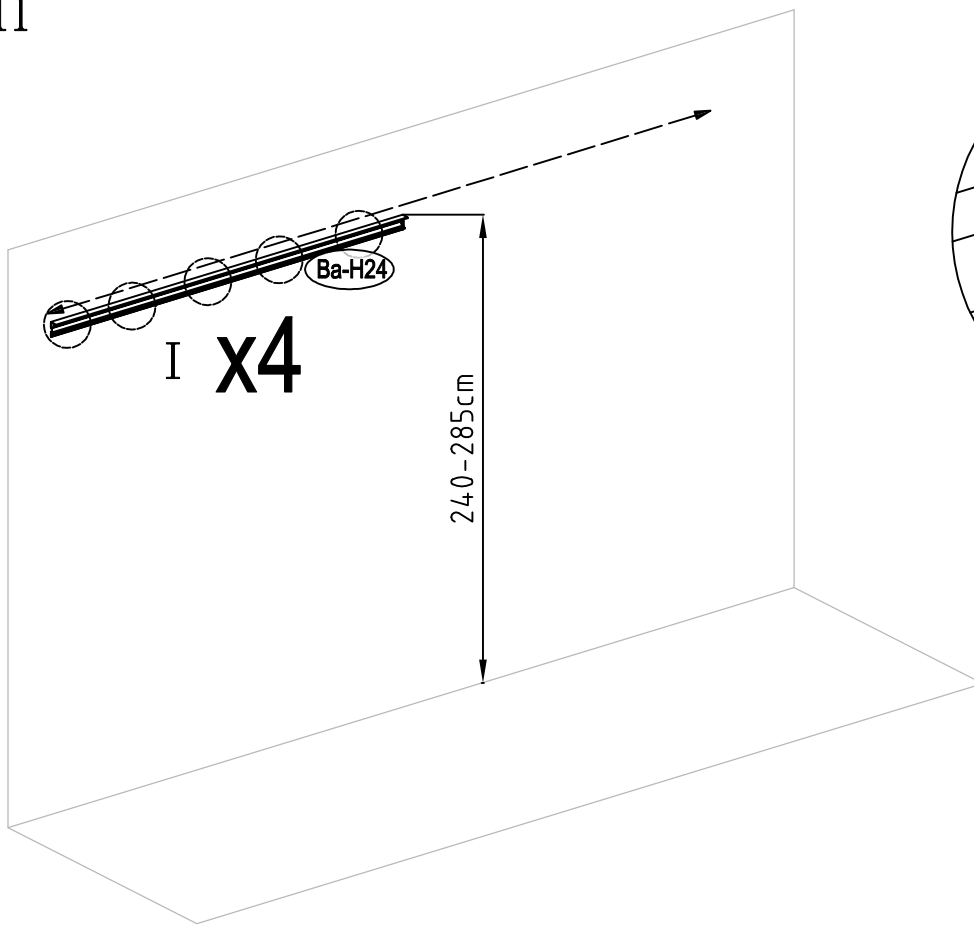



Ba-2		x1	
Ba-P5		x1	
Ba-H27		x4	
Ba-H28		x4	



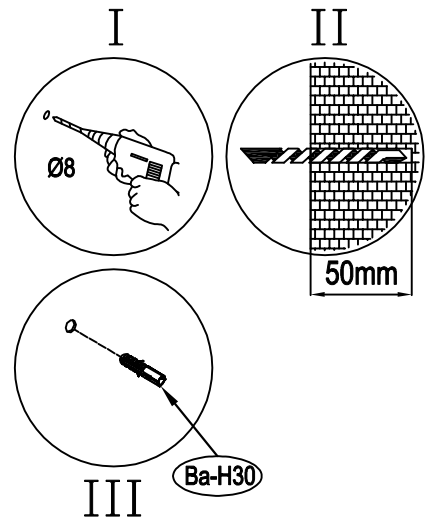
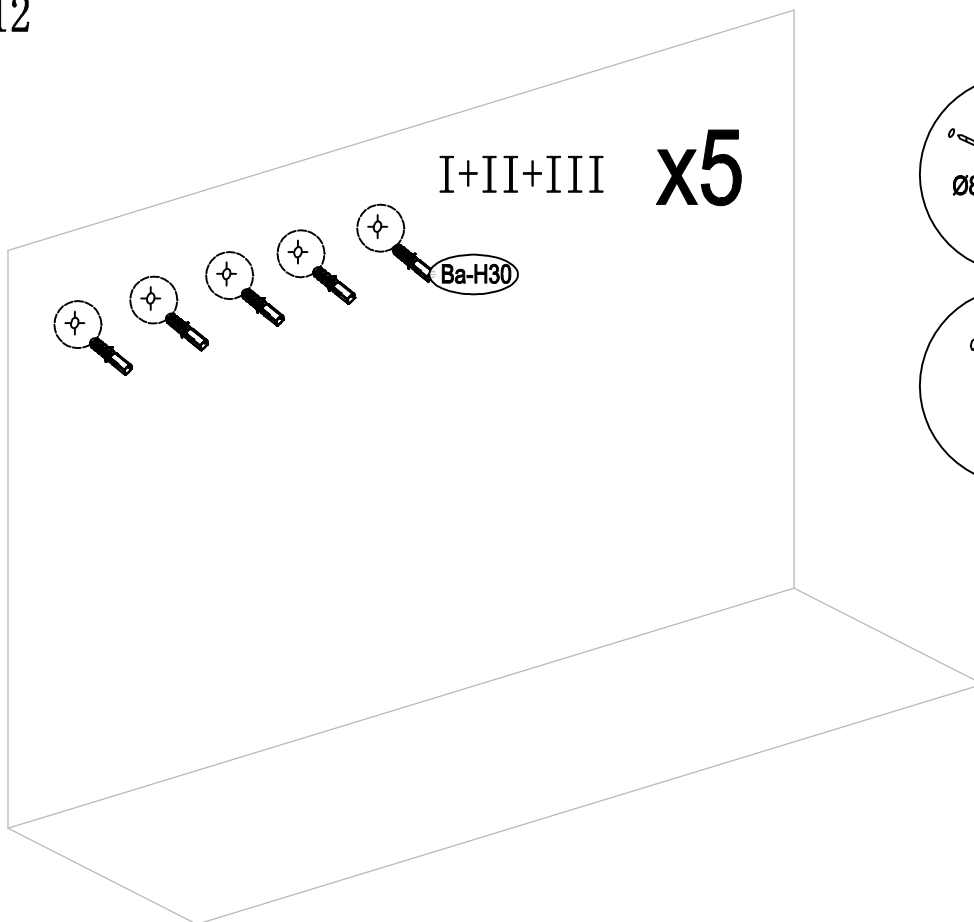


11



Ba-H24		x1
--------	---	----

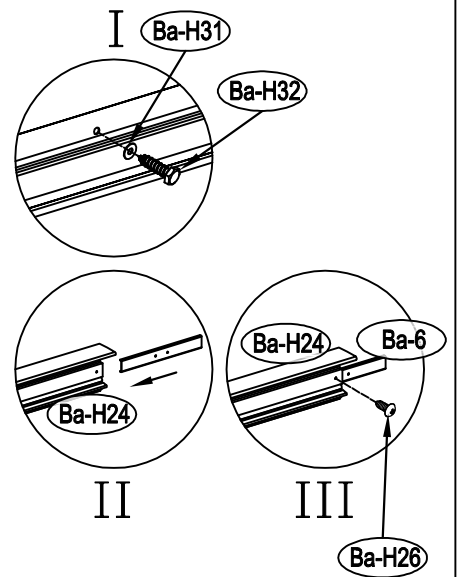
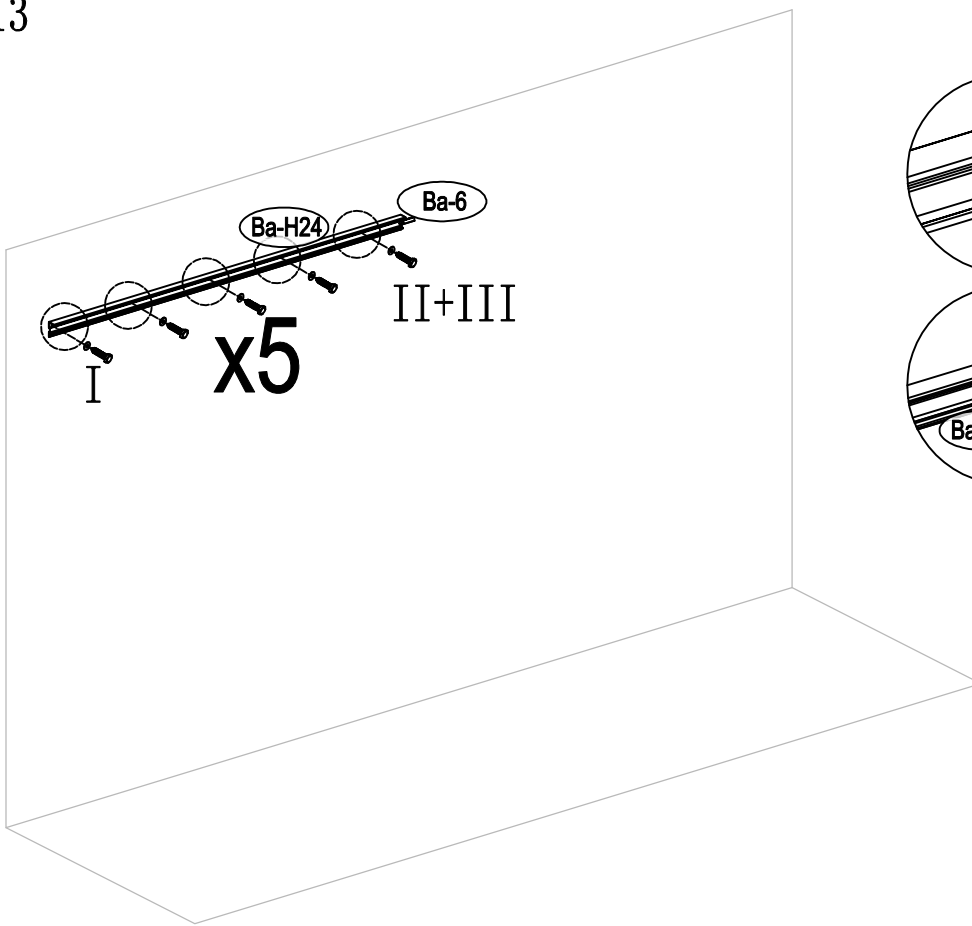
12







Ba-H30		x5
--------	---	----

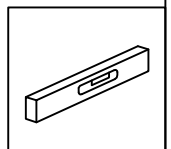
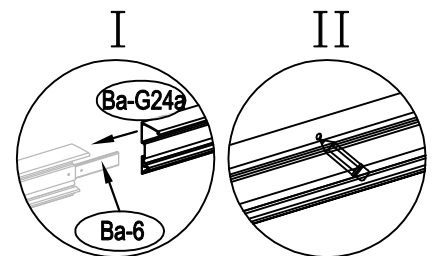
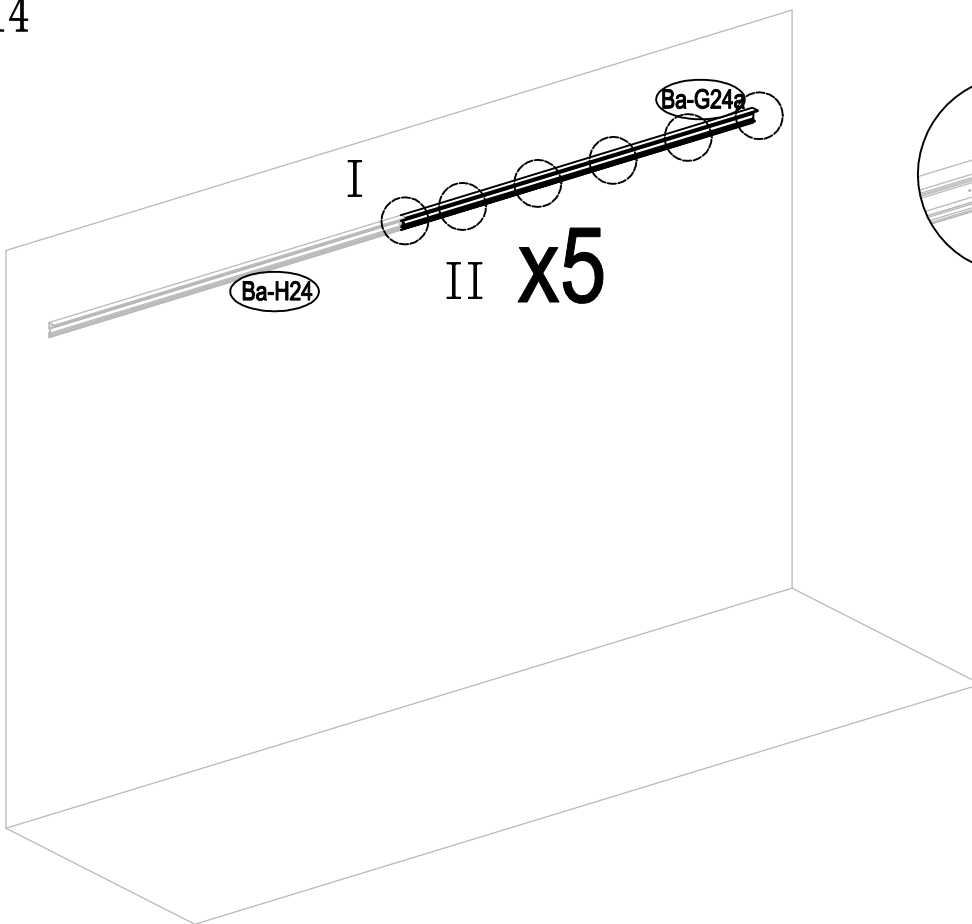


13



Ba-6		x1
Ba-H26		x1
Ba-H31		x5
Ba-H32		x5

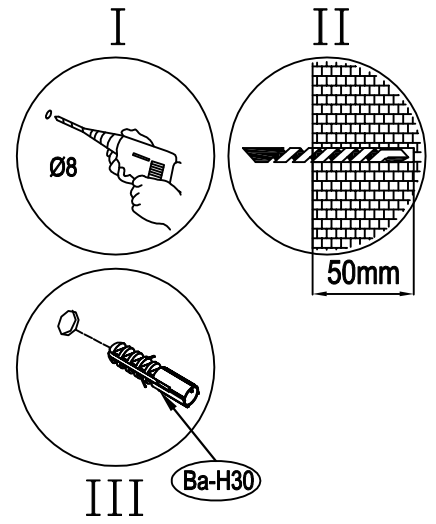
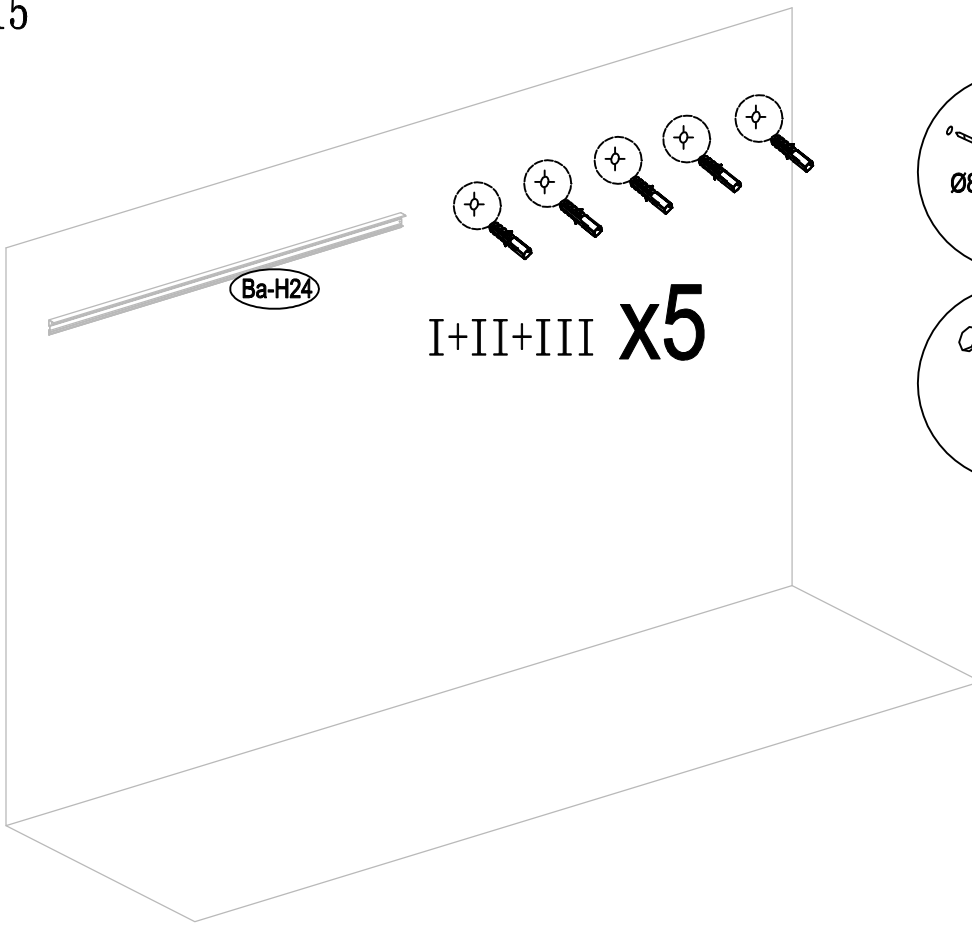
14



Ba-G24a		x1
---------	---	----

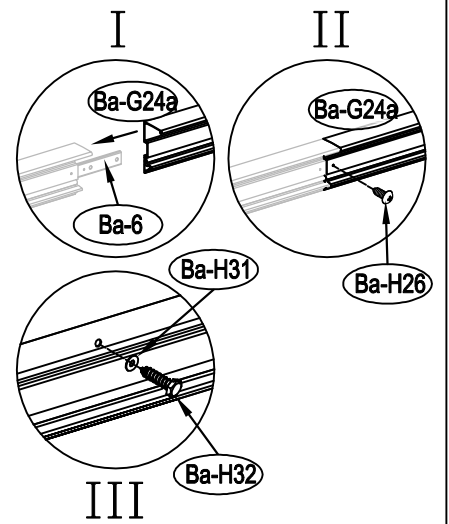
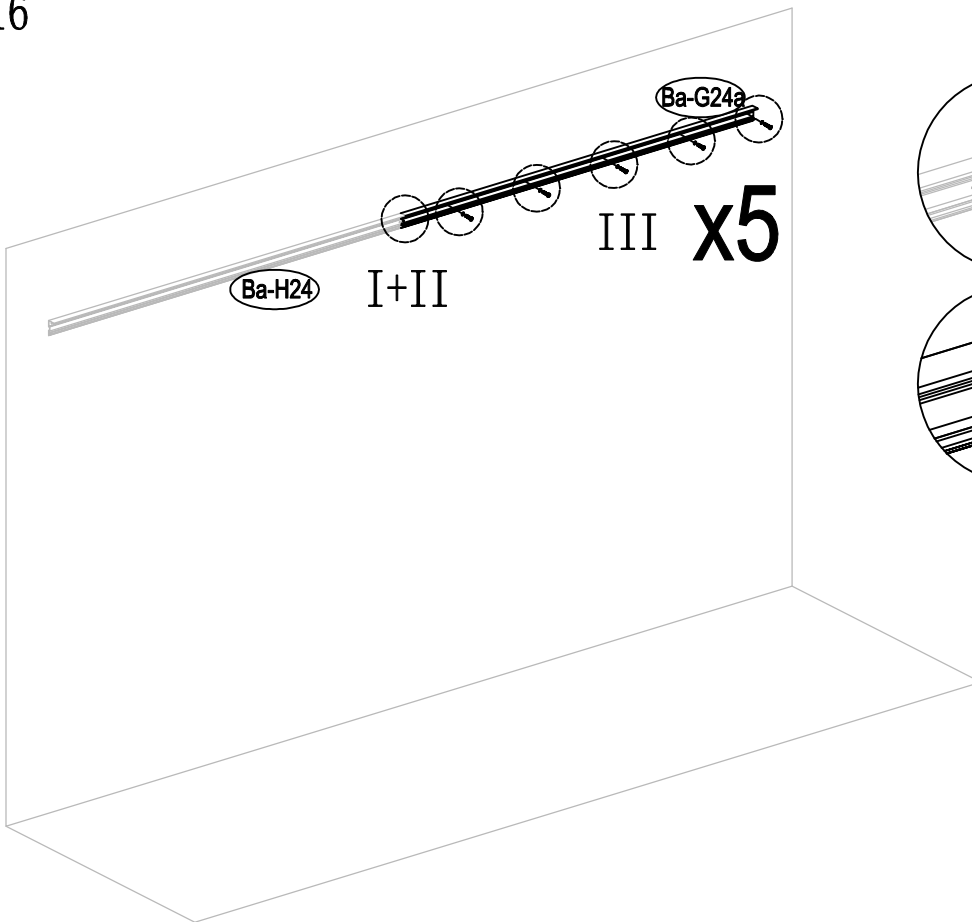






15



Ba-H30		x5
--------	---	----

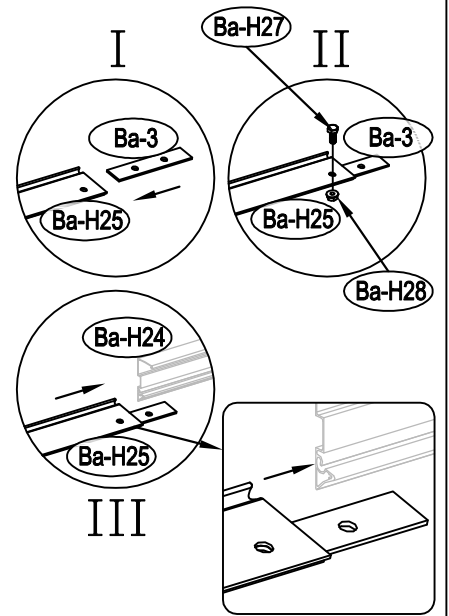
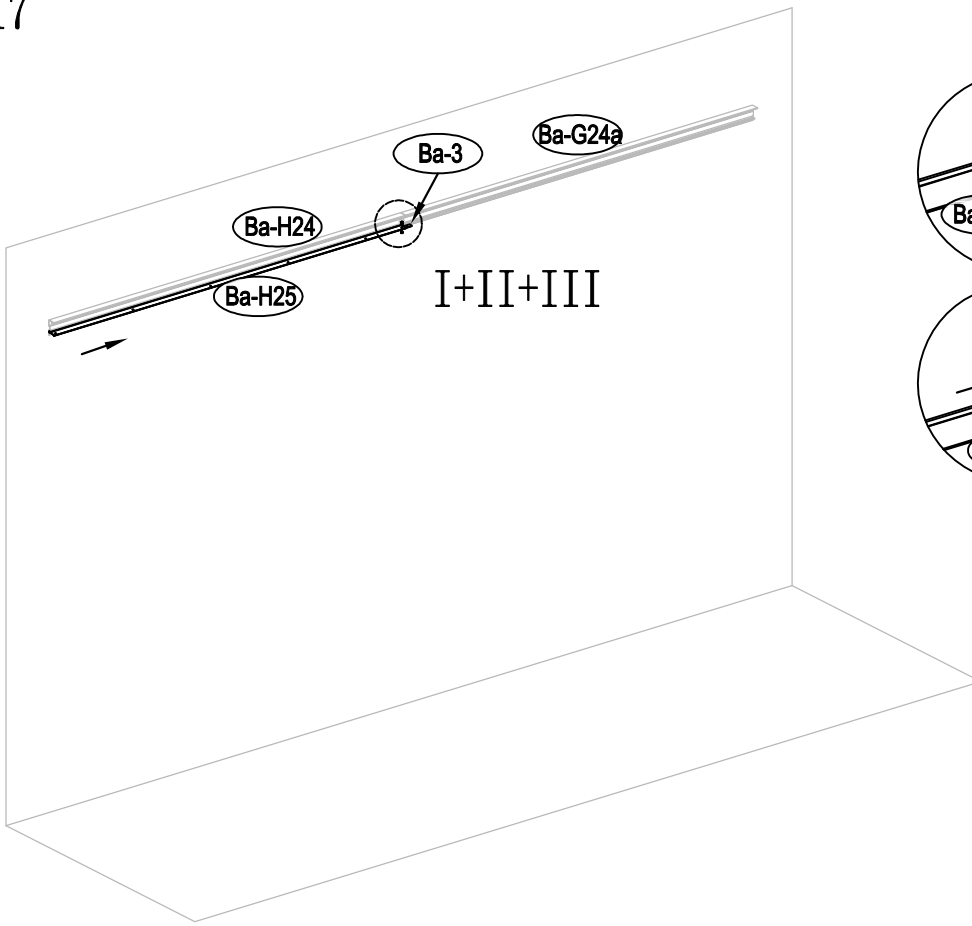
16


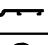




Ba-G24a		x1
Ba-H26		x1
Ba-H31		x5
Ba-H32		x5

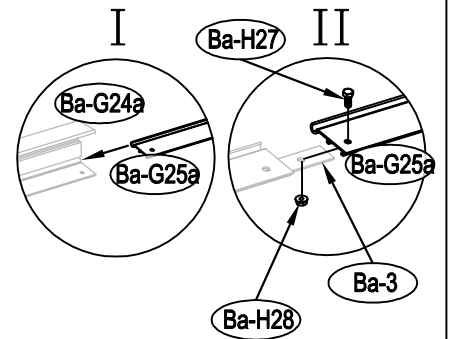
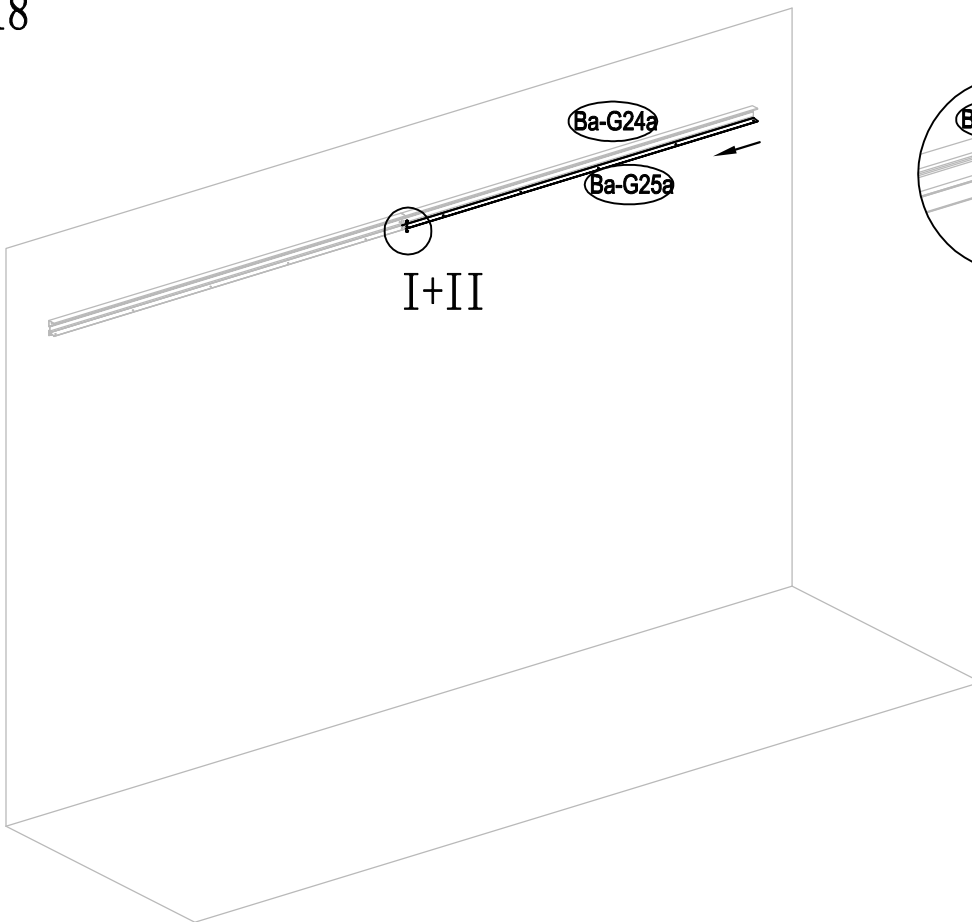


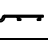
17



Ba-3		x1
Ba-H25		x1
Ba-H27		x1
Ba-H28		x1

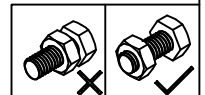
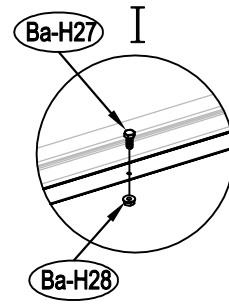
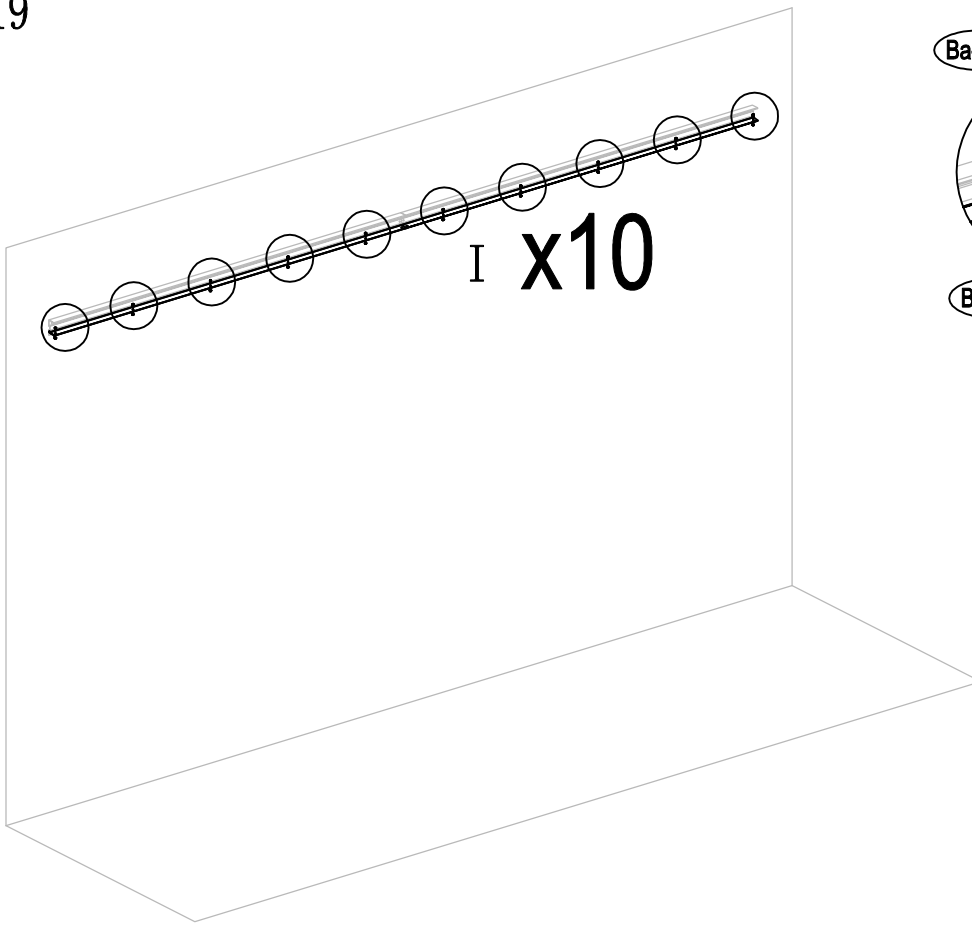
18



Ba-G25a		x1
Ba-H27		x1
Ba-H28		x1

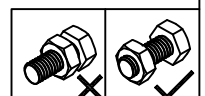
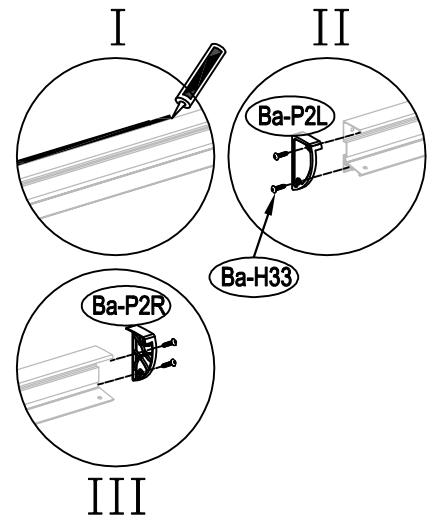
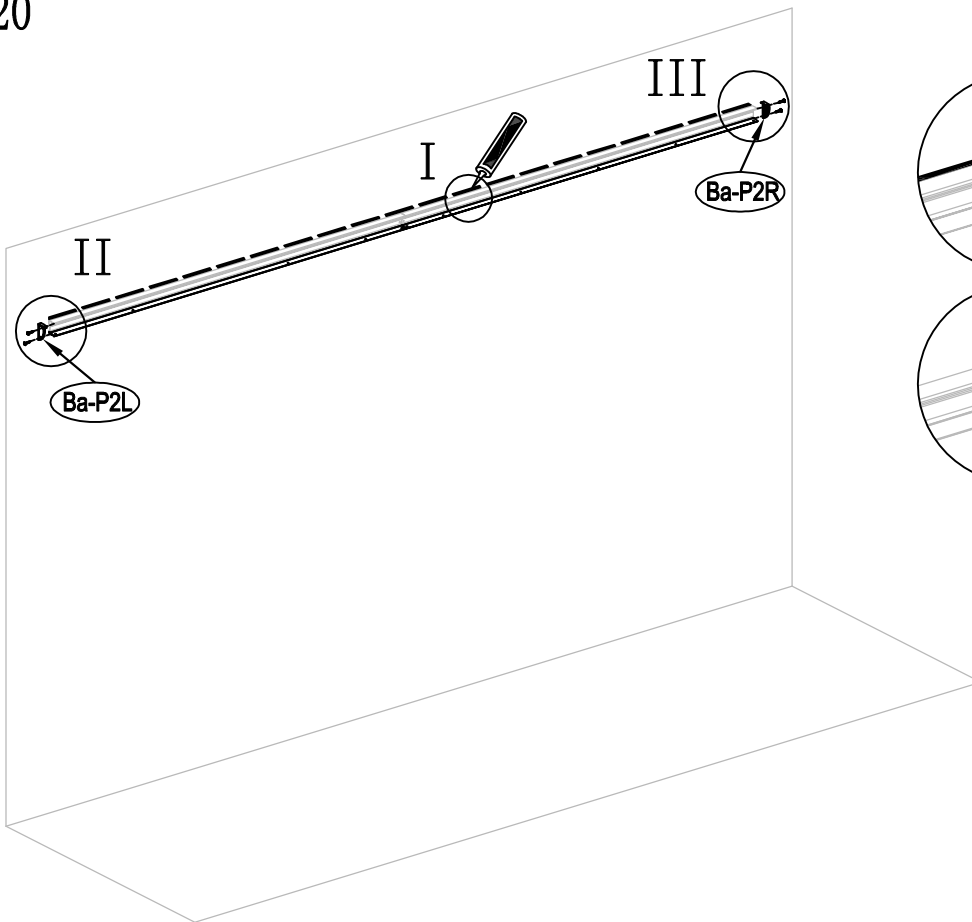


19



Ba-H27		x10
Ba-H28		x10

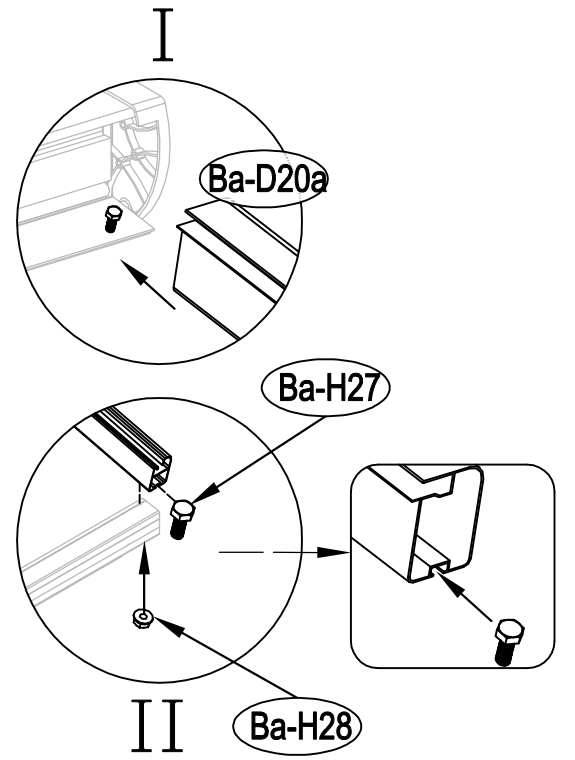
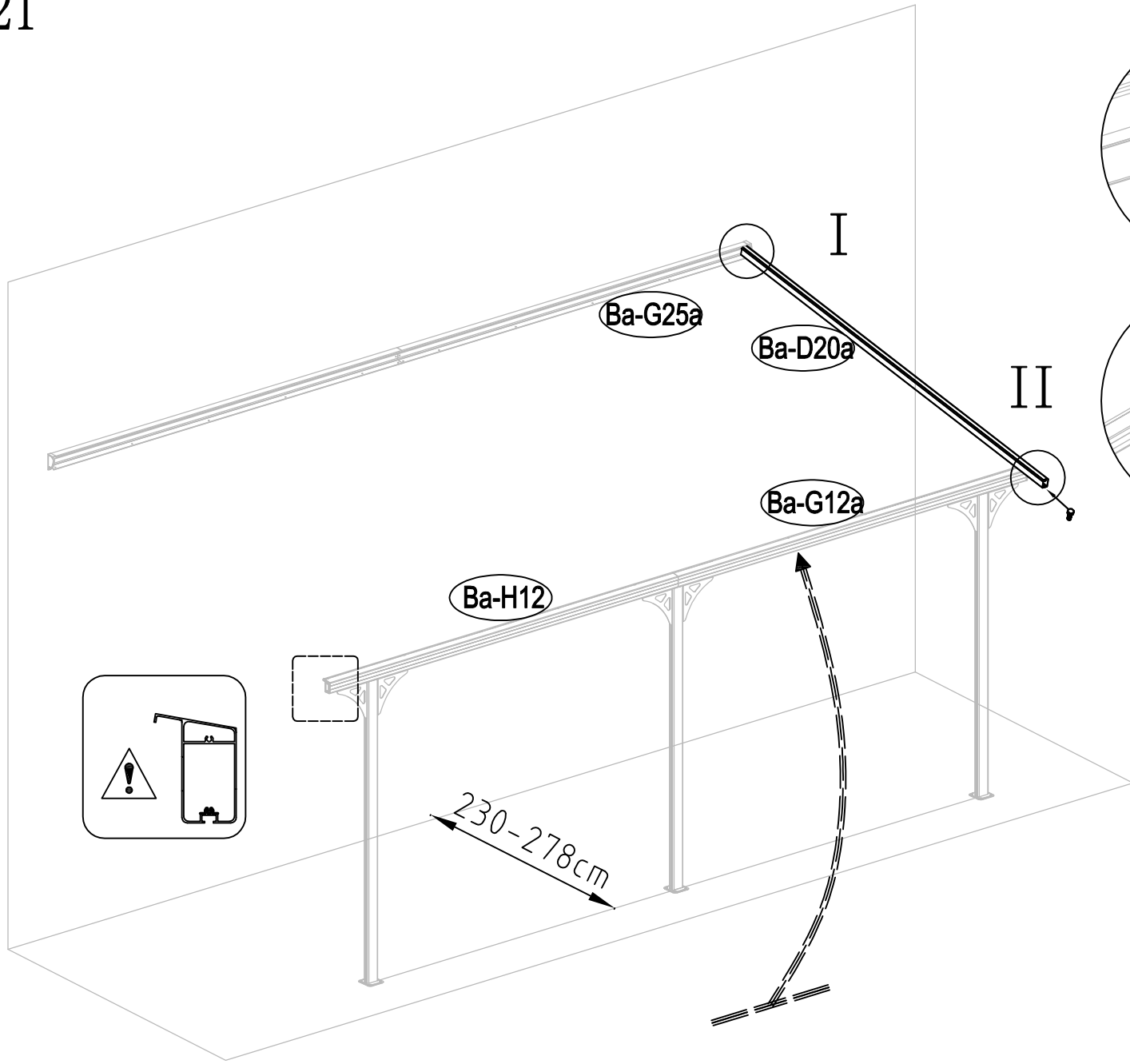
20



Ba-P2L		x1
Ba-P2R		x1
Ba-H33		x4

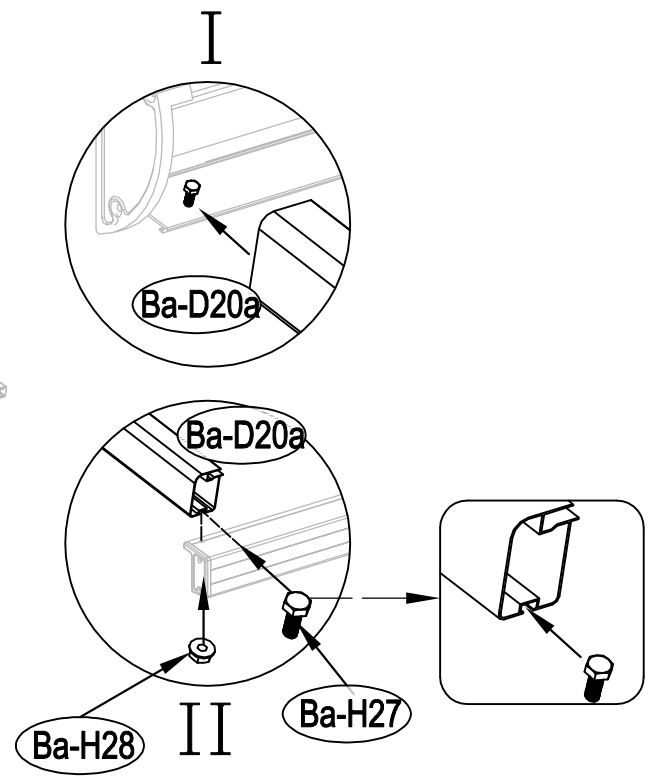
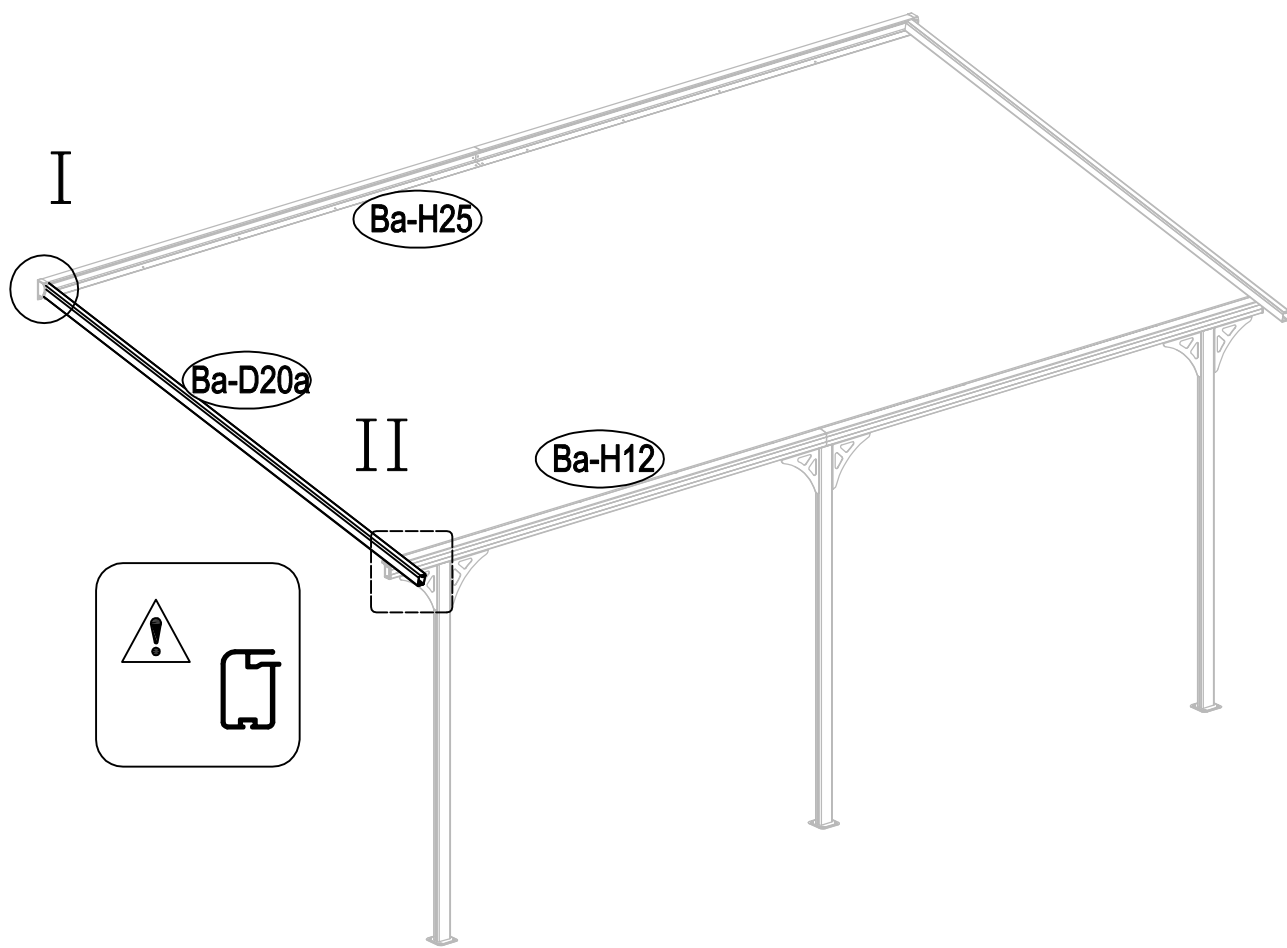


21



Ba-D20a	x1		
Ba-H27		x1	
Ba-H28			x1

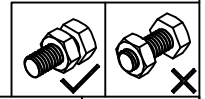
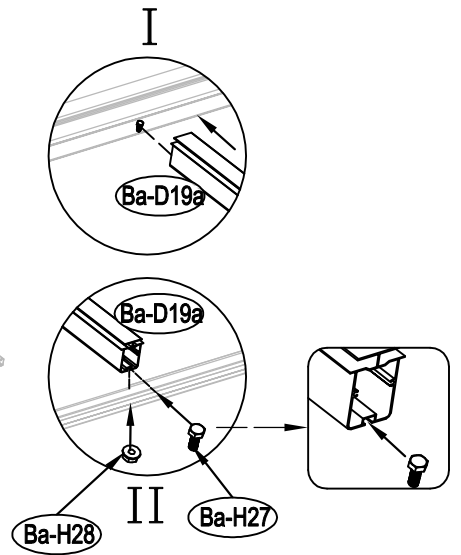
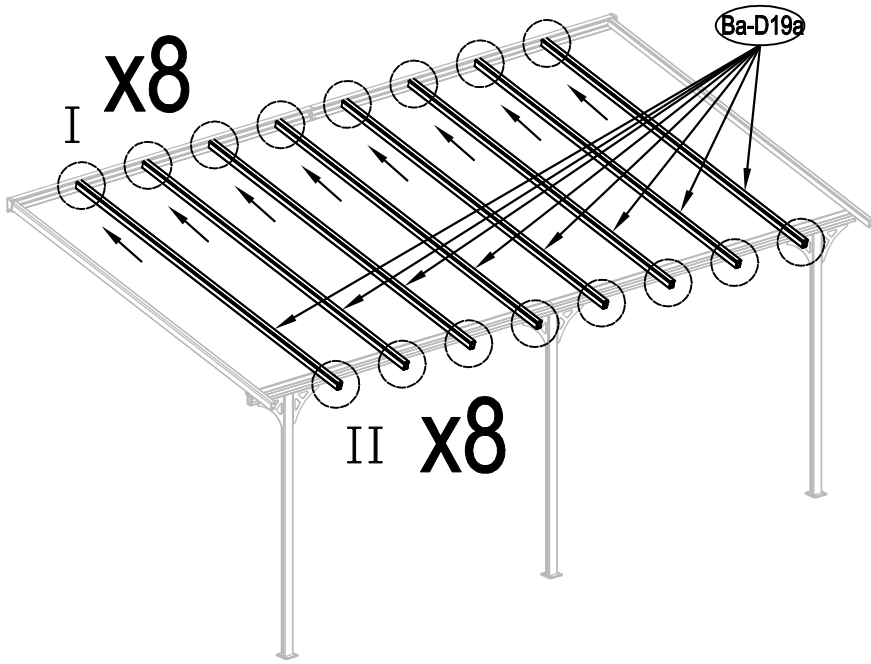
22



Ba-D20a	x1		
Ba-H27		x1	
Ba-H28			x1

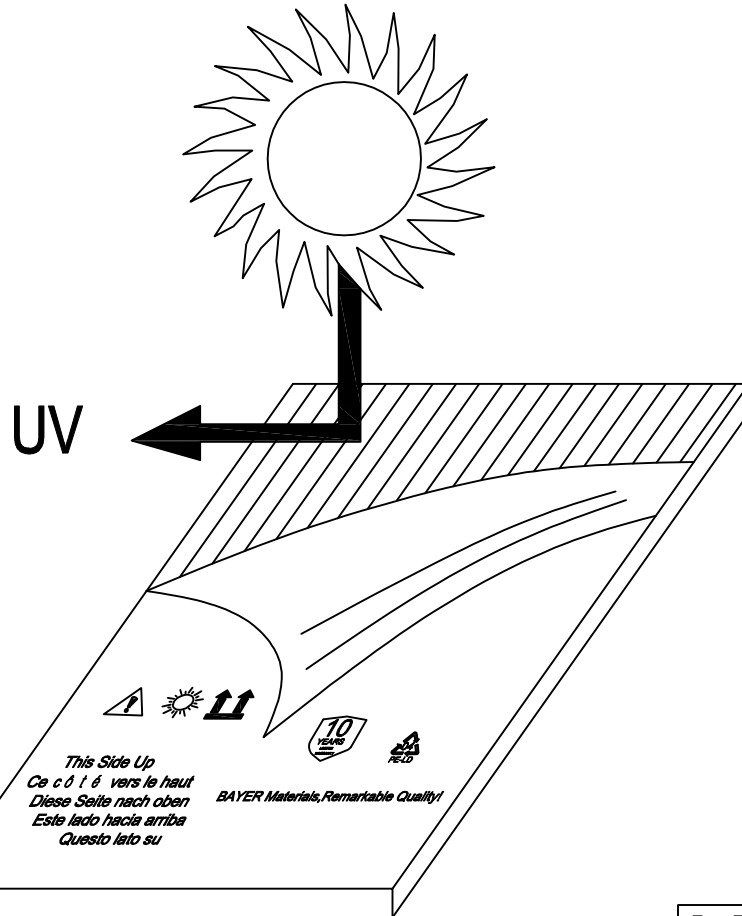


23



Ba-D19a		x8
Ba-H27		x8
Ba-H28		x8

24

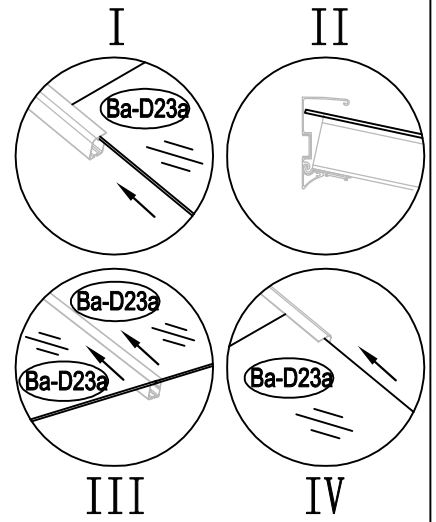
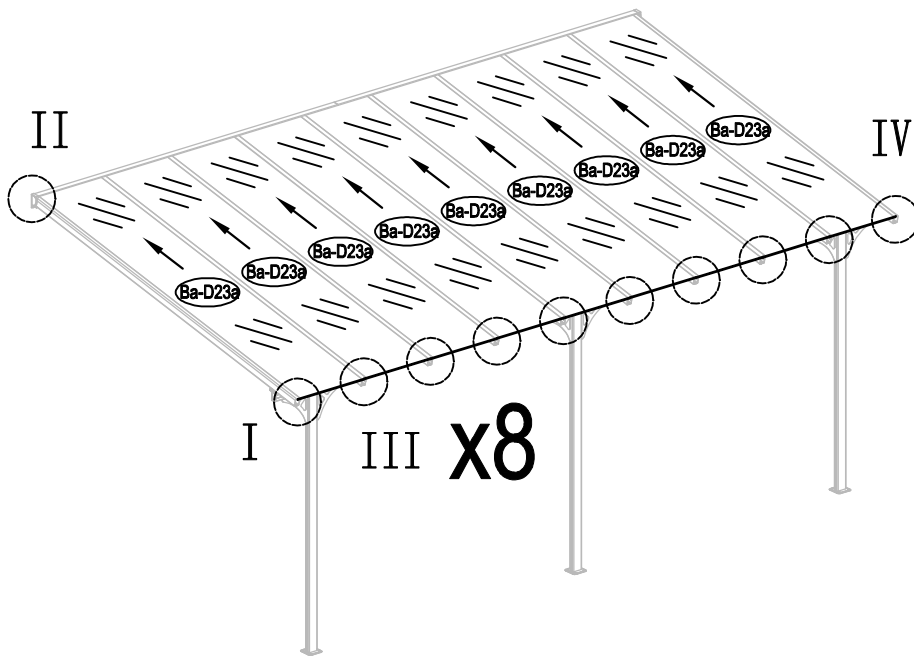


Ba-D23a		x9
---------	--	----

12

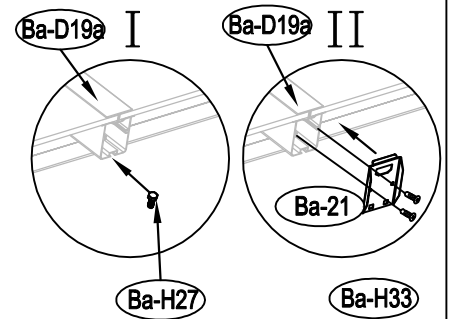
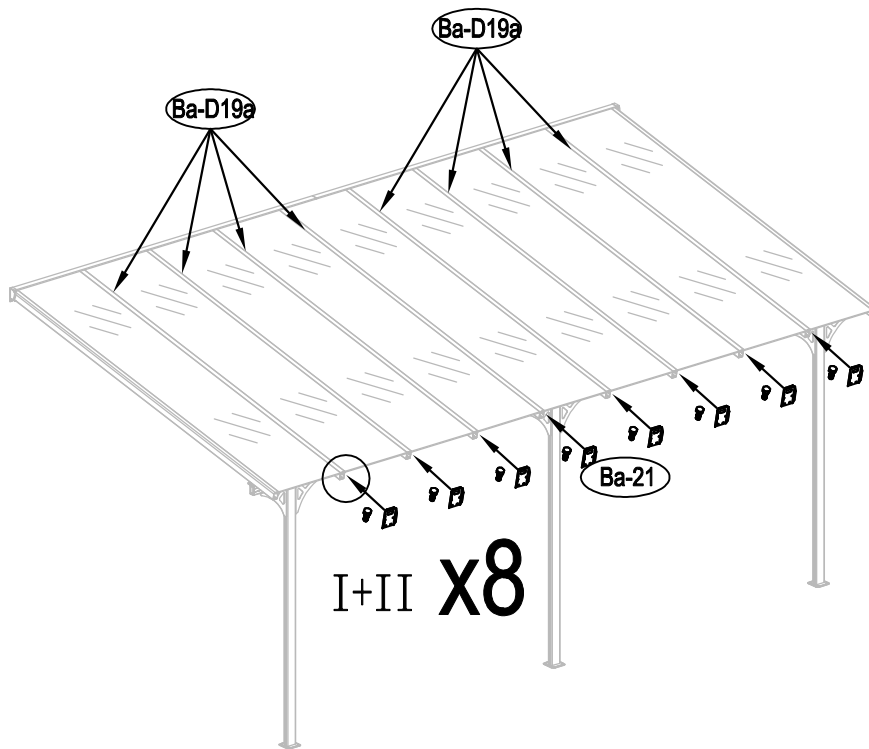



25



Ba-D23a		x9
---------	---	----

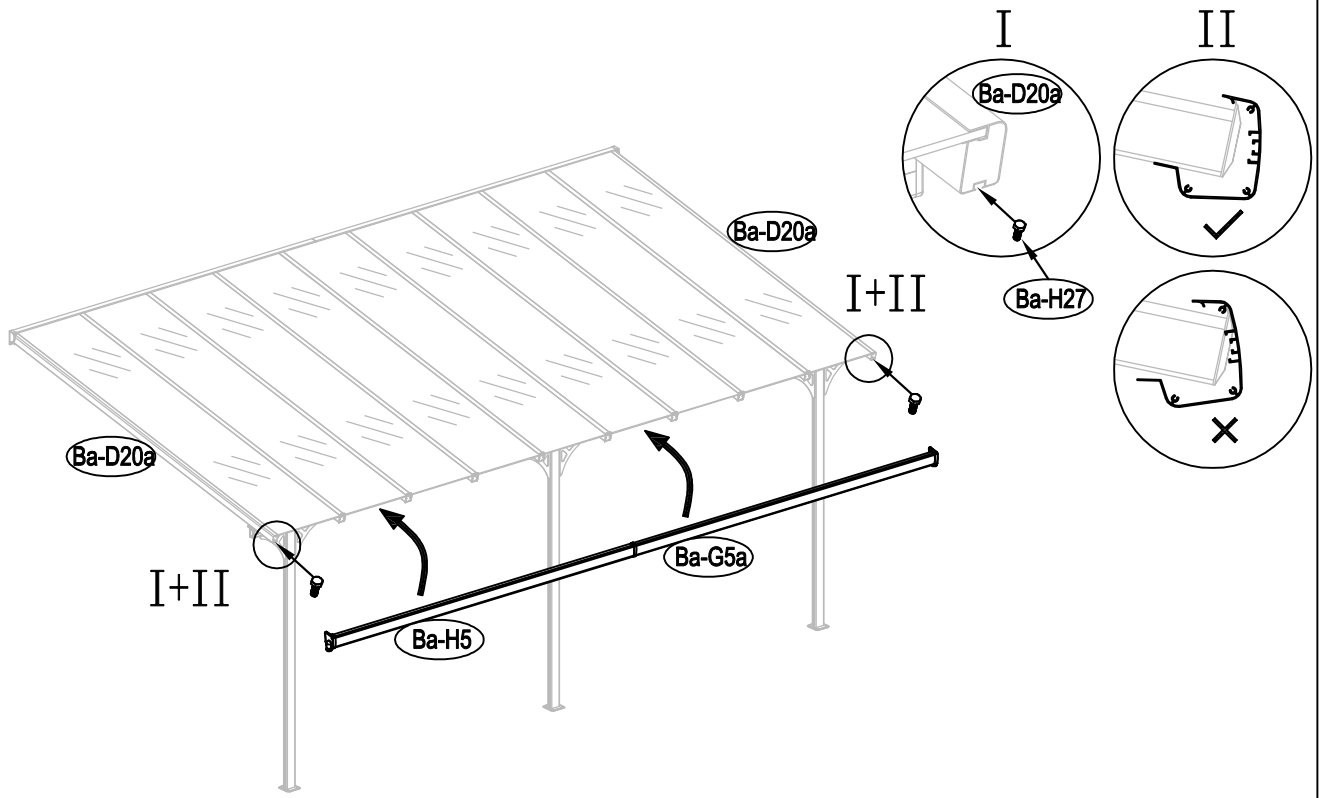
26



Ba-21		x8
Ba-H27		x8
Ba-H33		x16

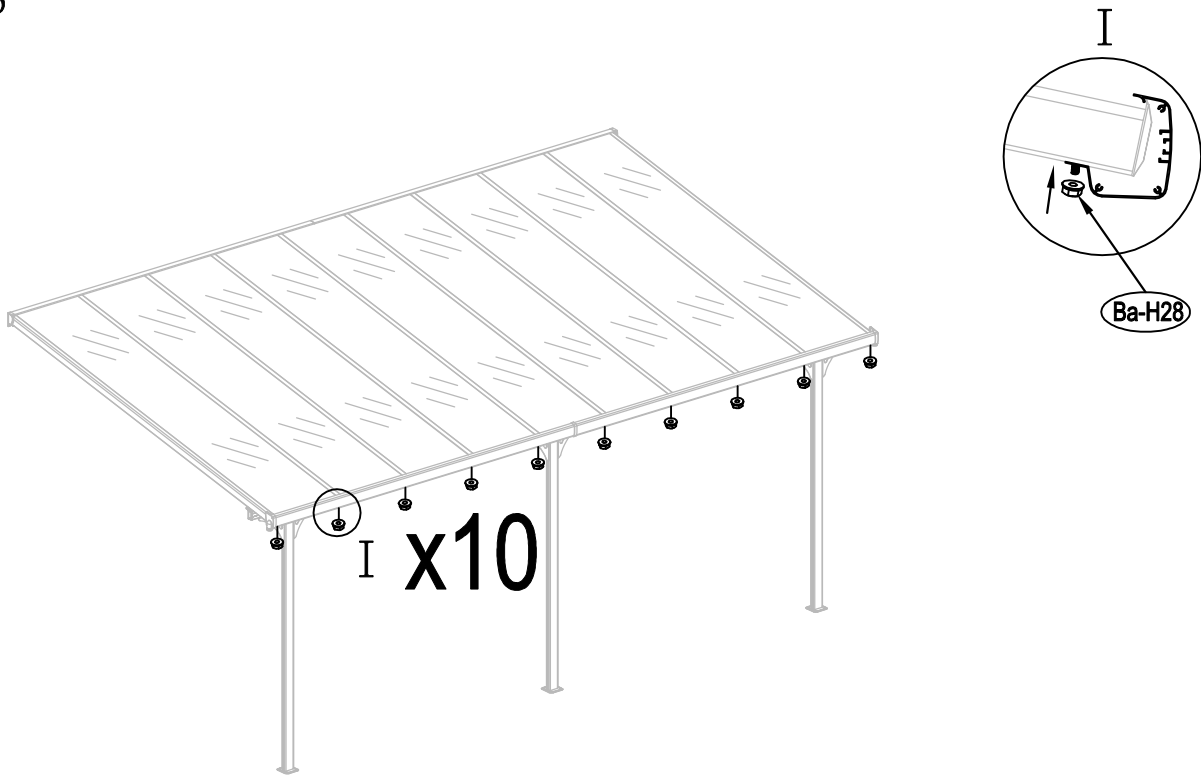


27



Ba-H27		x2
--------	--	----

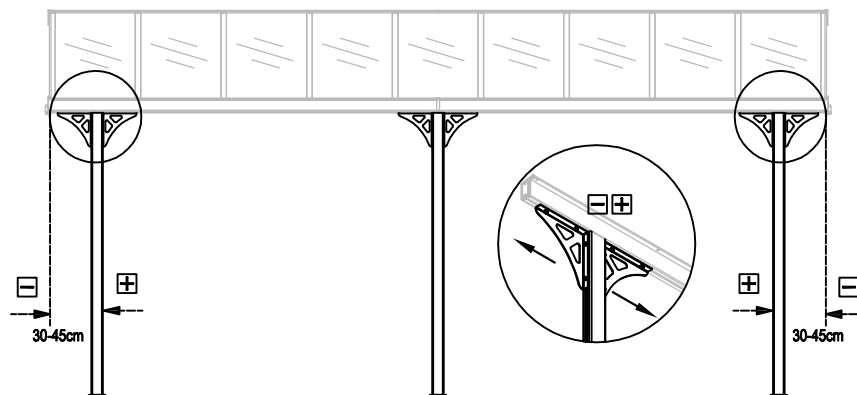
28



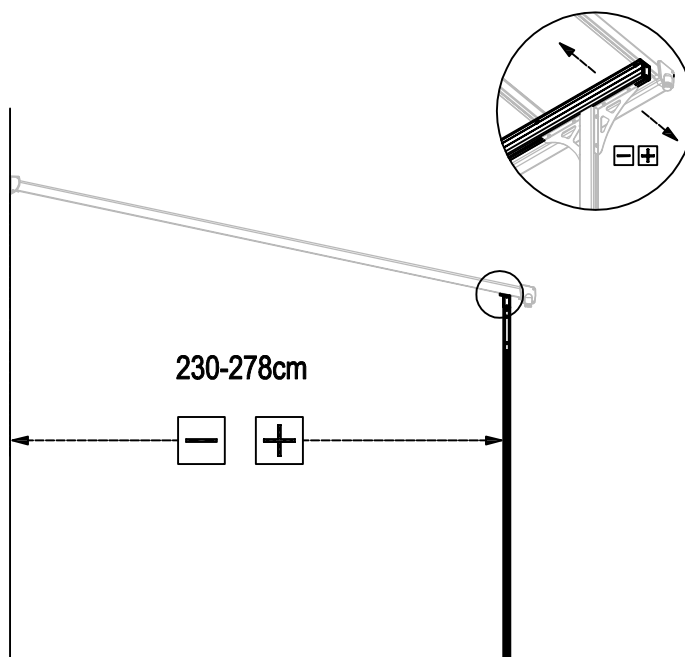
Ba-H28		x10
--------	--	-----



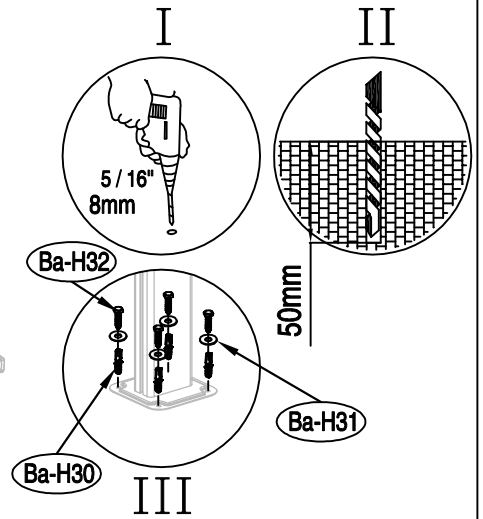
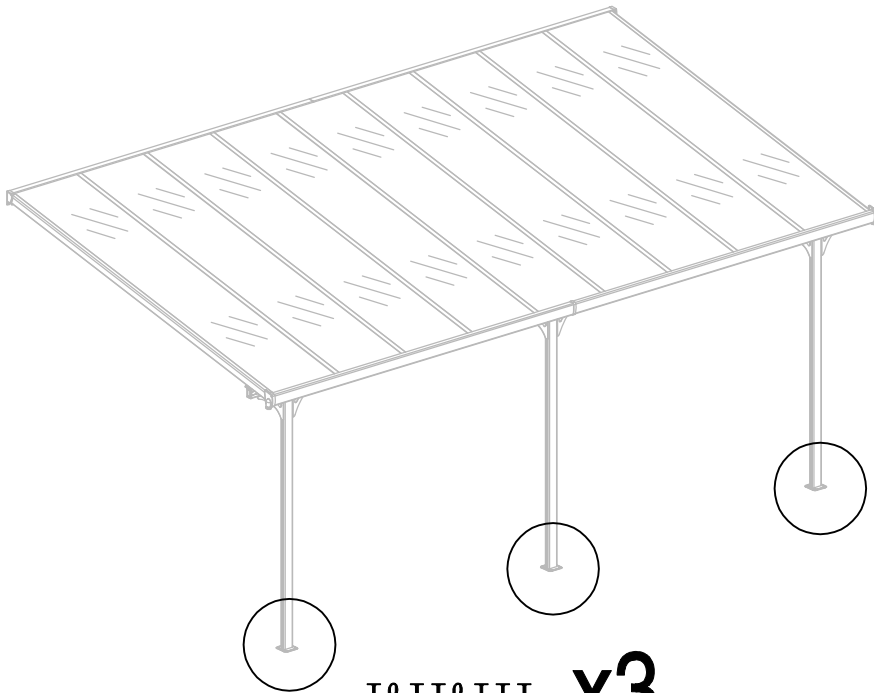
29



30



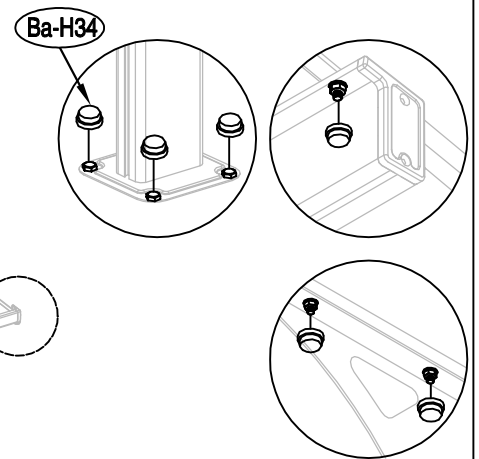
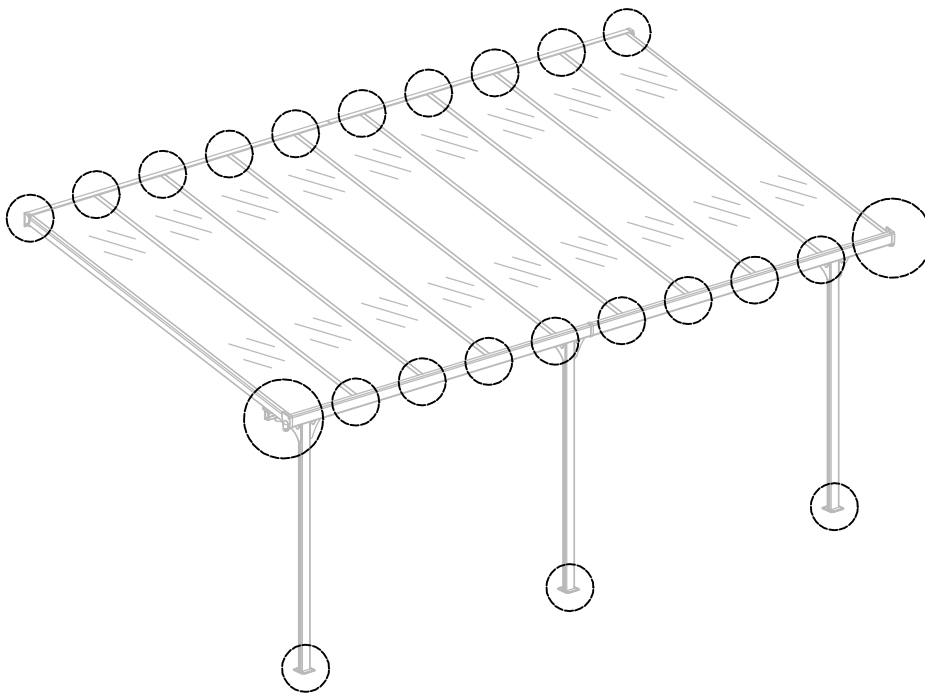
31



I&II&III **x3**

Ba-H30		x12
Ba-H31		x12
Ba-H32		x12

32



Ba-H34		x68
--------	--	-----

